

THIS DRAWING IS UNPUBLISHED. RELEASED FOR PUBLICATION
 © COPYRIGHT - By - ALL RIGHTS RESERVED.

LOC	DIST	REVISIONS					
		P	LTR	DESCRIPTION	DATE	DWN	APVD
HB	-	E		REMOVED THE RIB ON THE BASE TO CASE ECO-15-011310	04-Dec-15	YS.HHL	C
		E1		NEW ADD PN ECO-17-004477	22-Jan-18	WQ.Y	K.T

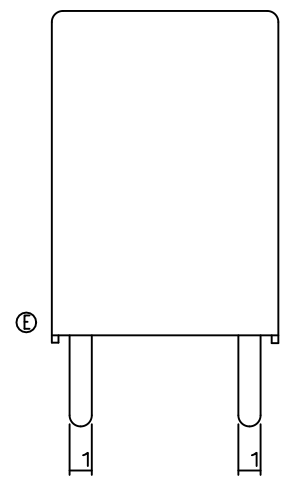
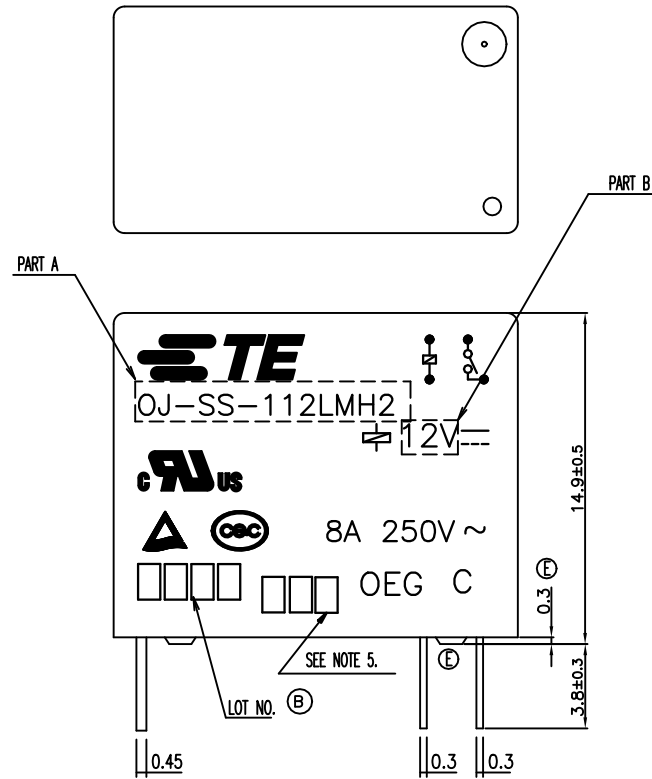
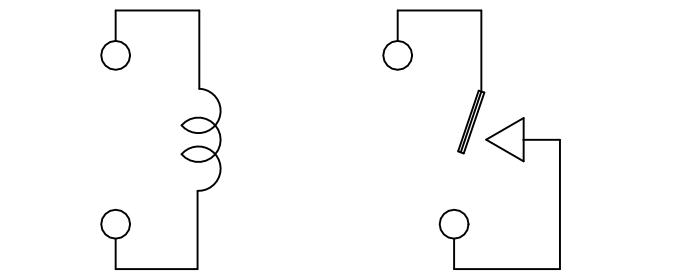


Diagram dimension	Tolerance
0.99mm max.	±0.1mm
1 - 2.99mm	±0.2mm
3mm min.	±0.3mm



CONNECTION FIGURE

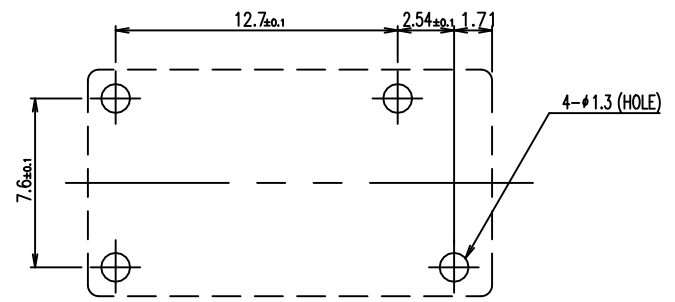
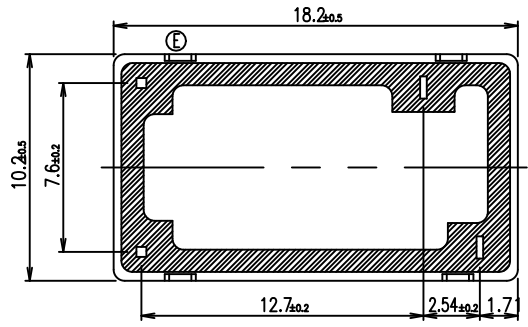


FIGURE FOR PRINTED CIRCUIT BOARD PROCESSING (BOTTOM VIEW)



THIS DRAWING IS A CONTROLLED DOCUMENT.		DWN	Hu.XieLi	
		CHK	Mak.Simon	
		APVD	Mingjung.Ho	
		PRODUCT SPEC	-	
		APPLICATION SPEC	-	
		WEIGHT	-	
		CUSTOMER DRAWING	-	
		SIZE	A3	00779
		DRAWING NO	1721261	
		RESTRICTED TO	-	
		SCALE	5:1	SHEET 1 of 2
		REV	E.1	

4

3

2

1

THIS DRAWING IS UNPUBLISHED. RELEASED FOR PUBLICATION -.-

© COPYRIGHT - By - ALL RIGHTS RESERVED.

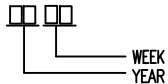
LOC	DIST	REVISIONS			
P	LTR	DESCRIPTION	DATE	DWN	APVD
		SEE SHEET 1	-	-	-

1721261-7	OJE-SS-112LMH2	12V	OJE-SS-112LMH2	g
1721261-6	OJE-SS-124LMH2	24V	OJE-SS-124LMH2	f
1721261-5	OJE-SS-112LMH2	12V	OJE-SS-112LMH2	e
1721261-4	OJE-SS-109LMH2	9V	OJE-SS-109LMH2	d
1721261-3	OJE-SS-106LMH2	6V	OJE-SS-106LMH2	c
1721261-2	OJE-SS-105LMH2	5V	OJE-SS-105LMH2	b
1721261-1	OJE-SS-103LMH2	3V	OJE-SS-103LMH2	a
TE PART NO	PART A	PART B	DESCRIPTION	TYPE

RELAY TYPE

NOTES:

- 1.TERMINAL DIMENSION BEFORE TINNING.
- 2.LOT NO. SYSTEM AS FOLLOWING:



- 2.TERMINAL DIMENSION IS BEFORE SOLDER DIP;
- 3.FOR THE TIN-PLATING OF THE PINS:
+0.1mm FOR WIDTH,THICKNESS AND DIAMETER.
+0.5mm FOR LENGTH.
- 4.MARKING FROM INK TO LASER AND USING WELDED CONTACT

5.ADD LOT NO. SYSTEM AS FOLLOWING;



- I, DIGITS FOR DAY OF THE WEEK
1...MONDAY IN THIS WEEK;
2...TUESDAY IN THIS WEEK;
.....
7...SUNDAY IN THIS WEEK
- II, DIGITS FOR SHIFT OF THE DAY
1...DAY SHIFT IN THIS DAY;
2...NIGHT SHIFT IN THIS DAY;
- III, ONE CHARACTER DISTINGUISH THE LINE IDENTITY, SUCH AS: A,B,....Z

		EPOXY RESIN	SEAL (BASE & BOBBIN)	15
		JUEW	MAGNETIC WIRE	14
UL94V-0		P.B.T	CASE	13
UL94V-0		P.B.T	BASE	12
UL94V-0		P.B.T	BOBBIN	11
	SOLDER DIP	C.P WIRE	COIL TERMINAL	10
UL94V-0		P.P.S	CARD	9
		AgSnOinO	MOVABLE CONTACT	8
		AgSnOinO	NO.CONTACT	7
		STEEL	HINGE SPRING	6
	SOLDER DIP	Cu ALLOY	NO.TERMINAL	5
	SOLDER DIP	Cu ALLOY	MOVABLE SPRING	4
	NIP	STEEL	CORE	3
	NIP	STEEL	ARMATURE	2
	NIP	STEEL	YOKE	1
INCOMBUSTIBILITY	TREATMENT	MATERIAL	DESCRIPTION	ITEM

THIS DRAWING IS A CONTROLLED DOCUMENT.

DWN	Hu.XieLi	 TE Connectivity			
CHK	Mok.Simon				
APVD	Mingjung.Ho				
NAME					
PRODUCT SPEC		OJE CUSTOMER DRAWING(OJE-SS-LMH2)			
APPLICATION SPEC					
SIZE	A3	DRAWING NO	1721261	RESTRICTED TO	-
CAGE CODE	00779				
WEIGHT	-				
CUSTOMER DRAWING		SCALE	5:1	SHEET	2 OF 2
				REV	E1

DIMENSIONS:	TOLERANCES UNLESS OTHERWISE SPECIFIED:
mm	
	0 PLC ± -
	1 PLC ± -
	2 PLC ± -
	3 PLC ± -
	4 PLC ± -
	ANGLES ± -
MATERIAL	FINISH
-	-