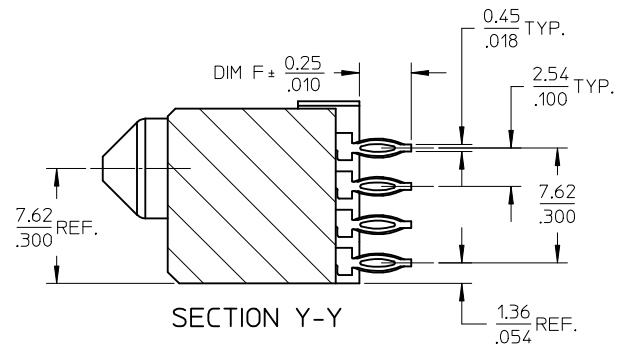
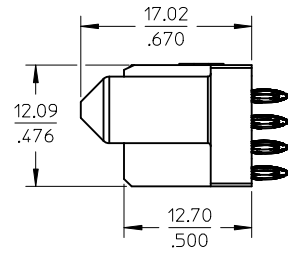
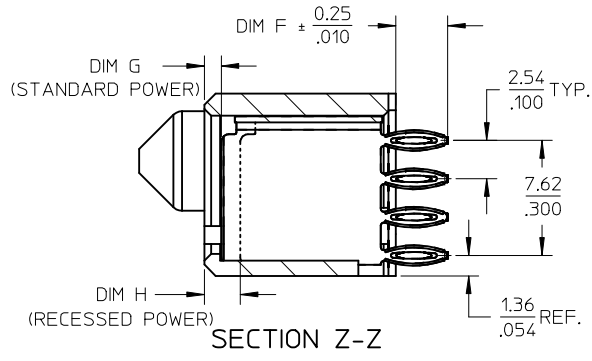


ISOMETRIC VIEW



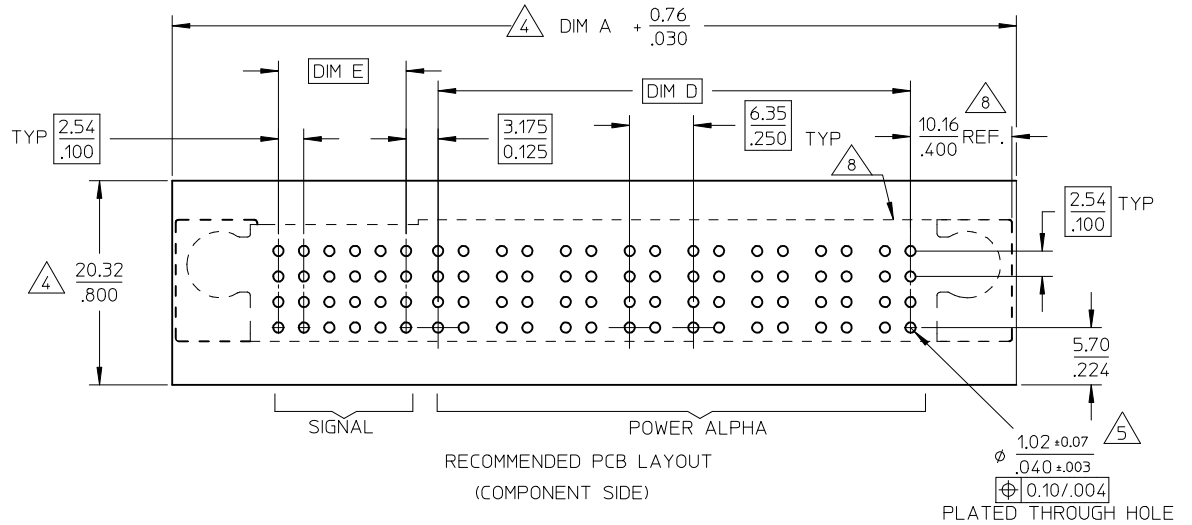
SECTION Y-Y



SECTION Z-Z

REVISED EC NO: S2014-0060 2013/07/16 DRW:SKANG 2013/09/06 CHKD:MLONG 2013/09/09 APPR:MLONG	QUALITY SYMBOLS	GENERAL TOLERANCES (UNLESS SPECIFIED)		DIMENSION STYLE MM/IN		SCALE NTS	DESIGN UNITS METRIC	THIRD ANGLE PROJECTION	
	$\nabla_A = 0$ $\nabla_C = 0$ $\nabla_F = 0$	4 PLACES ± --- ± --- 3 PLACES ± --- ± --- 2 PLACES ± 0.13 ± --- 1 PLACE ± 0.25 ± --- 0 PLACE ± ±	mm	INCH	DRAWN BY KMG0H	DATE 2002/11/18	TITLE	POWER CONN. RECEPTACLE P(A)-S CONFIGURATION VERTICAL PRESS-FIT	
		ANGULAR ± 3 °	DRAFT WHERE APPLICABLE MUST REMAIN WITHIN DIMENSIONS		CHECKED BY PTLIM	DATE 2002/11/21	<b>molex</b> DOCUMENT NO. SD-87697-011 SHEET NO. 1 OF 2		
					APPROVED BY SKTOH	DATE 2002/11/21			
D1	DESCRIPTION	SIZE A3		MATERIAL NO. SEE TABLE		THIS DRAWING CONTAINS INFORMATION THAT IS PROPRIETARY TO MOLEX INCORPORATED AND SHOULD NOT BE USED WITHOUT WRITTEN PERMISSION			

PART NUMBER	P-S CONFIGURATION		RECESS POWER CIRCUIT #	DIM A	DIM B	DIM C	DIM D	DIM E	DIM F ±0.25	DIM G	DIM H	PACKAGING
	POWER ALPHA	SIGNAL										
87697-2001	8	24	A#5,A#6,A#7,A#8	83.18 3.275	75.57 2.975	74.29 2.925	46.99 1.850	12.70 .500	3.43 .135	1.12 .044	2.39 .094	TRAY
87697-2002	4	24	NIL	57.78 2.275	50.17 1.975	48.89 1.925	21.59 .850	12.70 .500	3.43 .135	1.12 .044	2.39 .094	TRAY



CONNECTOR - NOTES

1. MATERIALS :

- HOUSING - HIGH TEMPERATURE THERMO-PLASTIC,  
GLASS FILLED, UL94-0,COLOR:BLACK.
- SIGNAL PIN - COPPER ALLOY
- POWER PIN - COPPER ALLOY

2. FINISH :

- SIGNAL & POWER CONTACTS
- 0.76 MICROMETER MINIMUM GOLD (Au) AT CONTACT AREA AND
- 2.54 MICROMETER MINIMUM TIN (Sn) AT SOLDERTAIL AREA
- OVER 1.27um MIN. NICKEL (Ni) UNDERPLATE.

3. PRODUCT SPECIFICATION: PS-87633-006.

- 4. COMPONENT STAY AWAY ZONE FROM CONNECTOR.
- 5. PCB NOTE FOR DIAMETER 1.02/0.40 PLATED HOLE.
  - DRILLED HOLE SIZE IS 1.151/0.453
  - PLATE WITH 0.007/0.003 MINIMUM TIN OVER 0.03/0.01
  - TO 0.08/0.003 COPPER PLATING TO ACHIEVE 1.02±0.08/0.40±.003 HOLE.
  - SEE SHEET 2 FOR RECOMMENDED PCB LAYOUT.
- 6. MANUFACTURER LOGO,PART NUMBER AND YEAR-WEEK CODE.
- 7. 8 POWER ALHPA-24 SIGNAL CONFIGURATION IS SHOWN FOR ILLUSTRATION.
- 8. IMAGINARY LINE & DIMENSION TO POSITION AND PROVIDE CONNECTOR ORIENTATION WITH RESPECT TO PCB LAYOUT.

REVISED EC NO: S2014-0060 DRWN:SKANG 2013/07/16 CHKD:MLONG 2013/09/06 APPR:MLONG 2013/09/09	DESCRIPTION REV	QUALITY SYMBOLS	GENERAL TOLERANCES (UNLESS SPECIFIED)		DIMENSION STYLE		SCALE	DESIGN UNITS	THIRD ANGLE PROJECTION			
		$F_{\Delta} = 0$	mm	INCH	MM/IN		NTS	METRIC				
		$F_{\nabla} = 0$	4 PLACES ± --- ± ---		DRAWN BY	DATE	TITLE					
		$F_{\square} = 0$	3 PLACES ± --- ± ---		CHECKED BY	DATE	POWER CONN. RECEPTACLE P(A)-S CONFIGURATION VERTICAL PRESS-FIT					
		2 PLACES ± 0.13 ± ---		PTLIM	2002/11/21	<b>molex</b>						
		1 PLACE ± 0.25 ± ---		APPROVED BY	DATE							
		0 PLACE ± ±		SKTOH	2002/11/21	MATERIAL NO.		DOCUMENT NO.		SHEET NO.		
		ANGULAR ± 3 °	DRAFT WHERE APPLICABLE MUST REMAIN WITHIN DIMENSIONS		SEE TABLE		SD-87697-011		2 OF 2			
					SIZE	THIS DRAWING CONTAINS INFORMATION THAT IS PROPRIETARY TO MOLEX INCORPORATED AND SHOULD NOT BE USED WITHOUT WRITTEN PERMISSION						