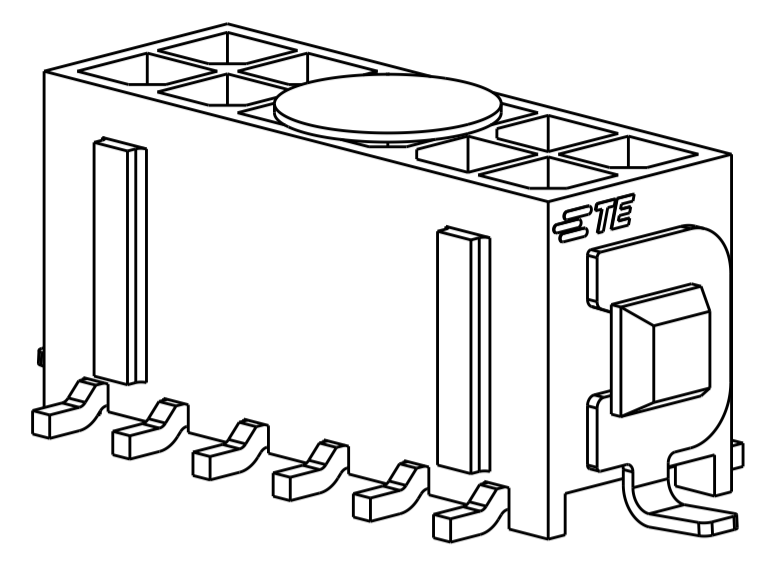
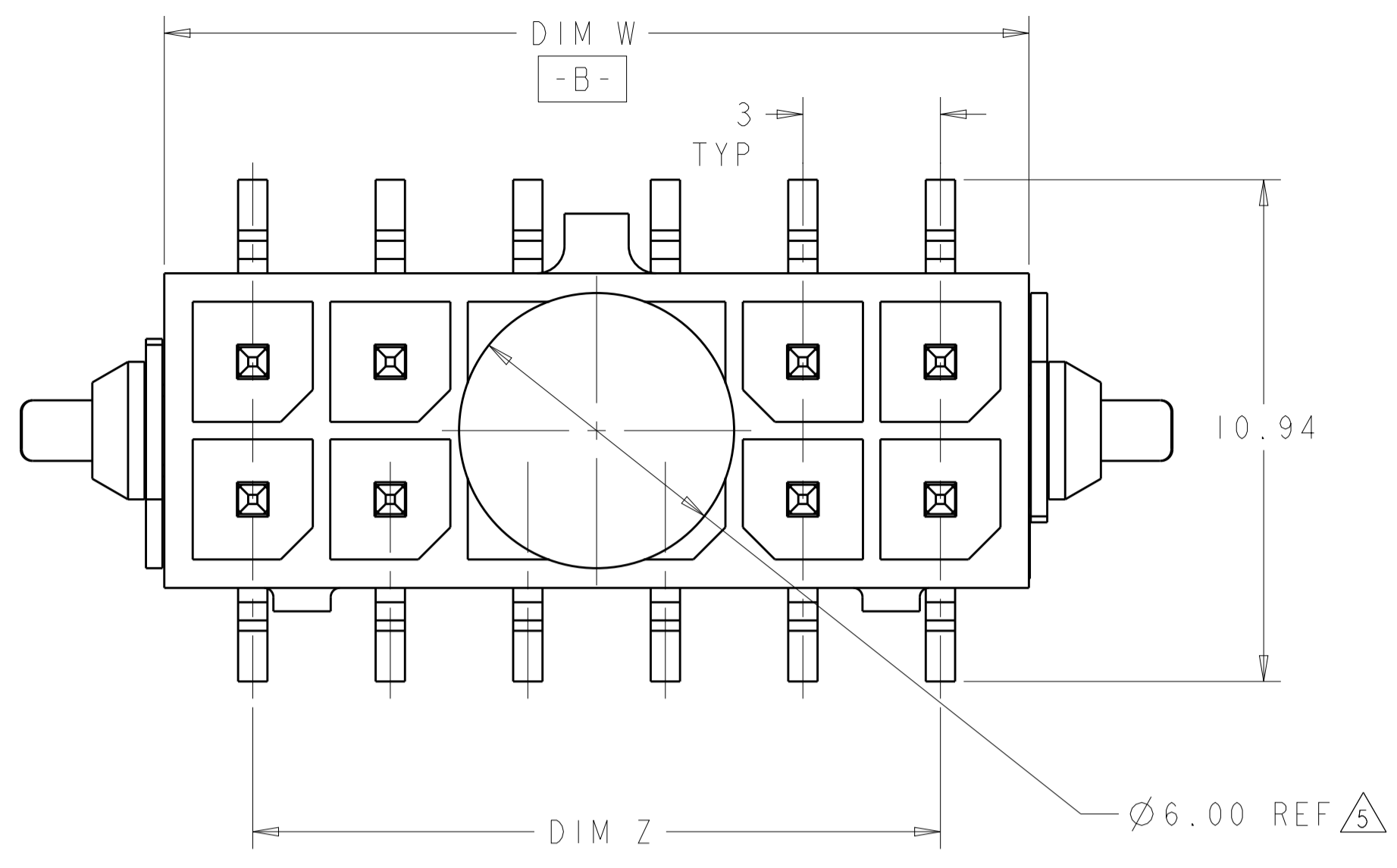
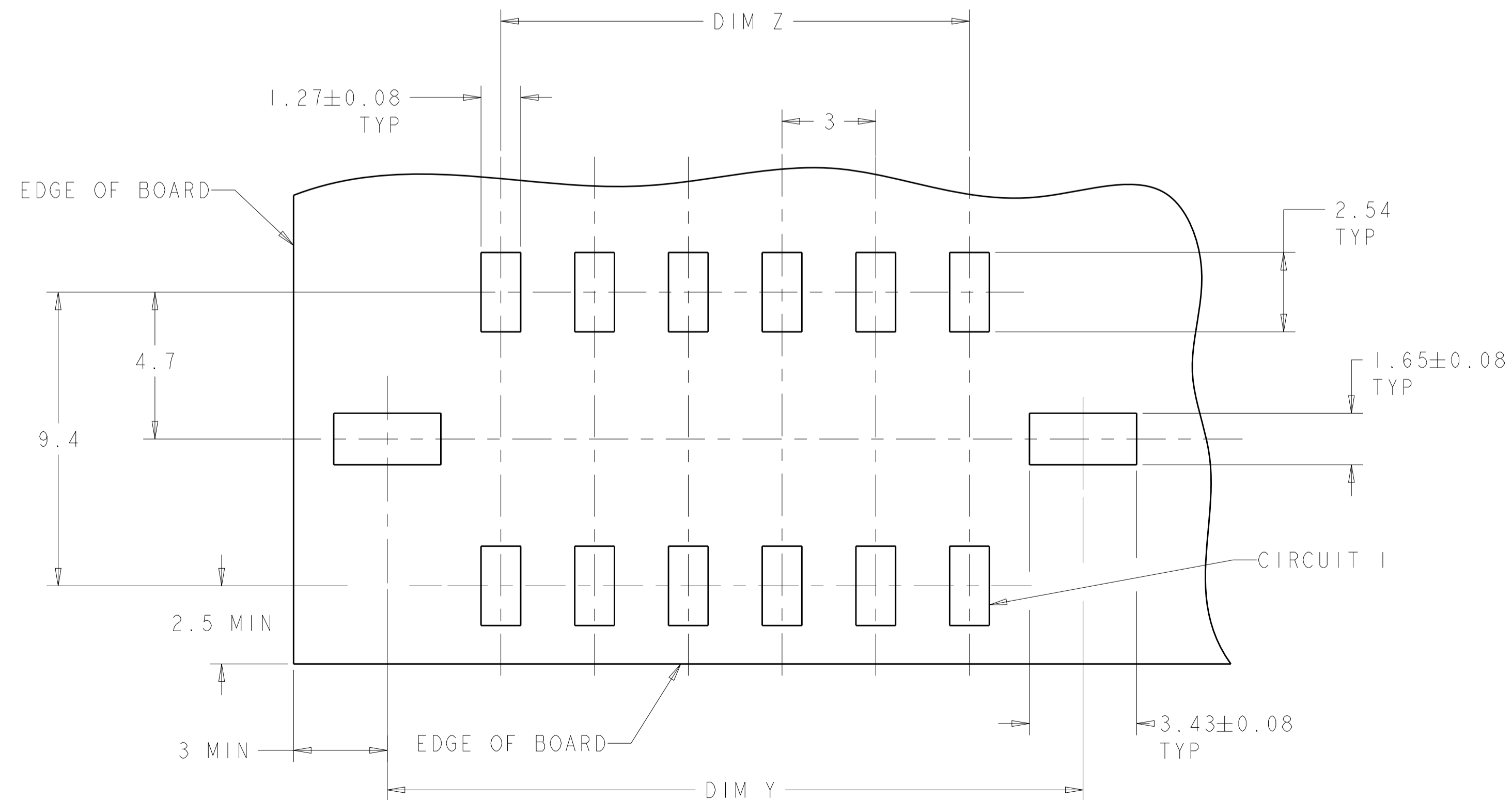
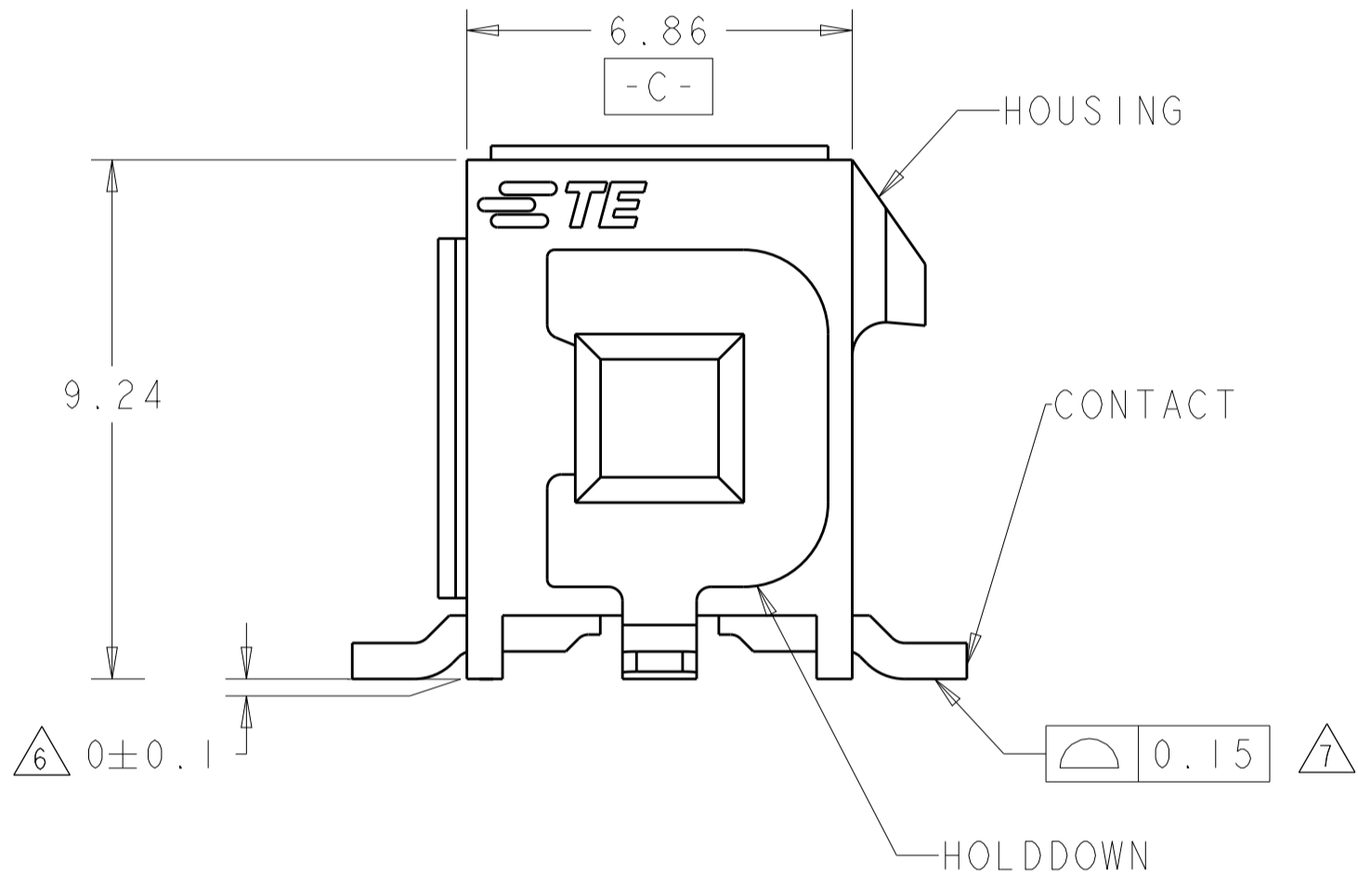
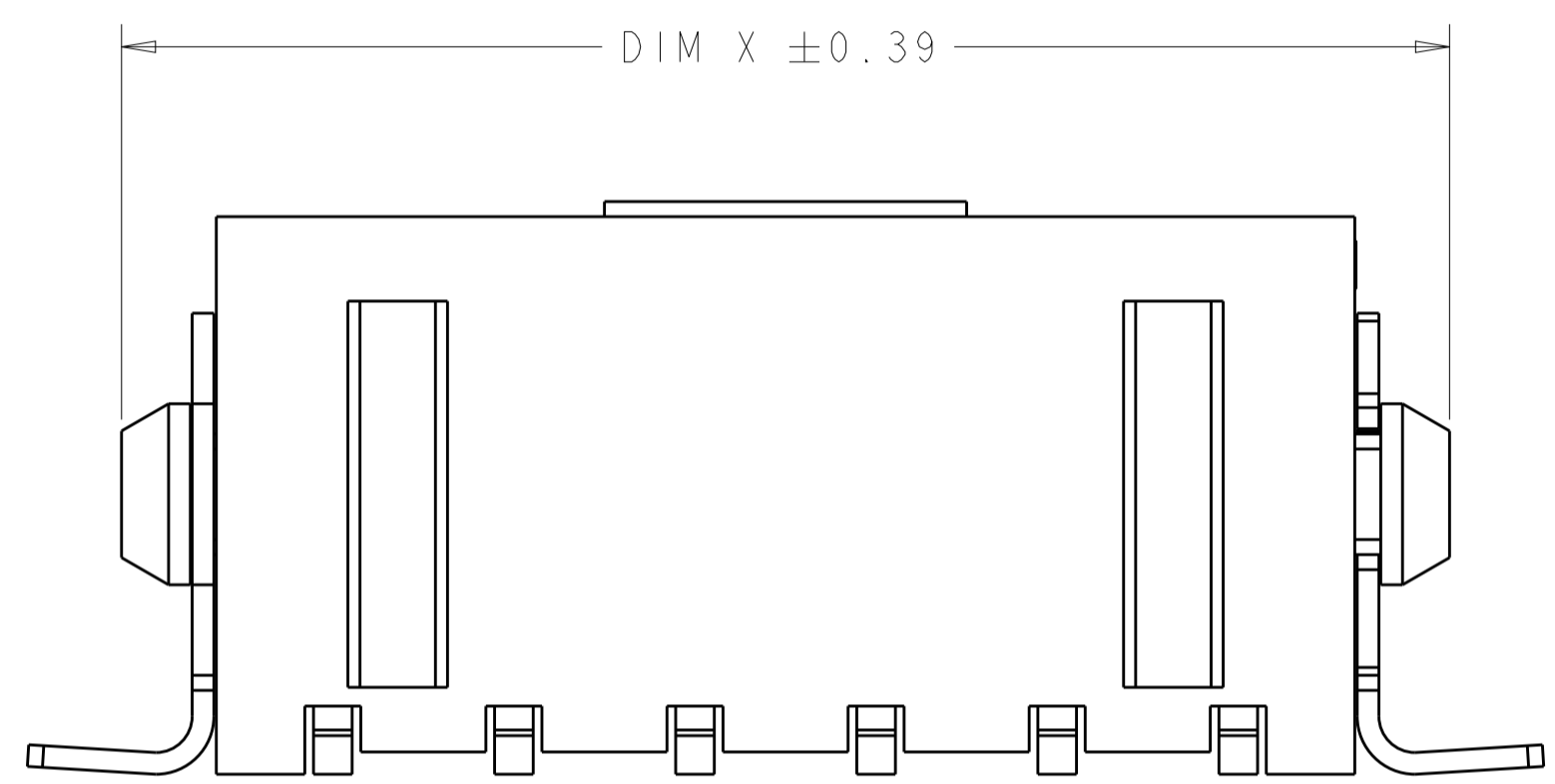


REVISIONS				
P.	LTN.	DESCRIPTION	DATE	DMN. APVD.
C		REVISED PER ECO-15-005484	28JULY2015	SC DZ

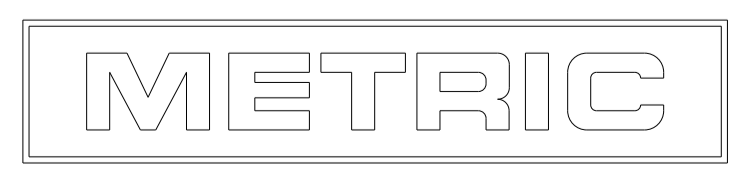


SCALE 5:1

- 1 MATERIAL;
 CONTACTS - BRASS.
 HOUSING - UL 94V-0 RATED HIGH TEMP NYLON, COLOR; BLACK.
 HOLDDOWNS - PHOSPHOR BRONZE.
- 2 PLATING;
 CONTACTS - 0.76µm MINIMUM GOLD OVER 2.54µm MINIMUM NICKEL ON MATING AREA. 2.54µm MATTE TIN MINIMUM OVER 2.54µm NICKEL MINIMUM ON SOLDER TAILS.
 HOLDDOWNS - 2.54µm MATTE TIN.
- 4 RECOMMENDED PCB BOARD THICKNESS OF 1.57.
- 5 KAPTON VACUUM PICK UP BUTTON.
- 6 DIMENSION APPLIES TO SOLDER TAIL SURFACES AND STANDOFF SURFACES.
- 7 ALL SOLDER TAILS AND HOLDDOWNS.
- 8 SPECIAL PACKAGING FOR IEC 286-3 REQUIREMENT. PARTS ORIENTED 180° DIFFERENT IN TAPE THAN STANDARD PART NUMBER 794638.



RECOMMENDED PCB LAYOUT (COMPONENT SIDE) 4



18.86	22.27	15.00	22.00	12	4-1586835-2
FINISH	DIM W	DIM Y	DIM Z	DIM X	NO. OF POSN. PART NUMBER

THIS DRAWING IS A CONTROLLED DOCUMENT.		DMN. R. WHITAKER 12MAR2007	TE Connectivity NAME: HEADER ASSY, VERTICAL SURFACE MOUNT, SURF MNT HOLDDOWN, 30 GOLD, DUAL ROW, SPCL PKGING, MICRO MATE-N-LOK(TM)
DIMENSIONS: mm		CHK. C. JONES 12MAR2007	
TOLERANCES UNLESS OTHERWISE SPECIFIED:		APVD. C. JONES 12MAR2007	PRODUCT SPEC
0 PLC ±			APPLICATION SPEC
1 PLC ±0.13			SIZE CAGE CODE DRAWING NO. RESTRICTED TO
2 PLC ±			A100779C=1586835
3 PLC ±			WEIGHT
4 PLC ±			CUSTOMER DRAWING
ANGLES			SCALE 8:1 SHEET 1 OF 1 REV C
MATERIAL FINISH			
SEE TABLE			