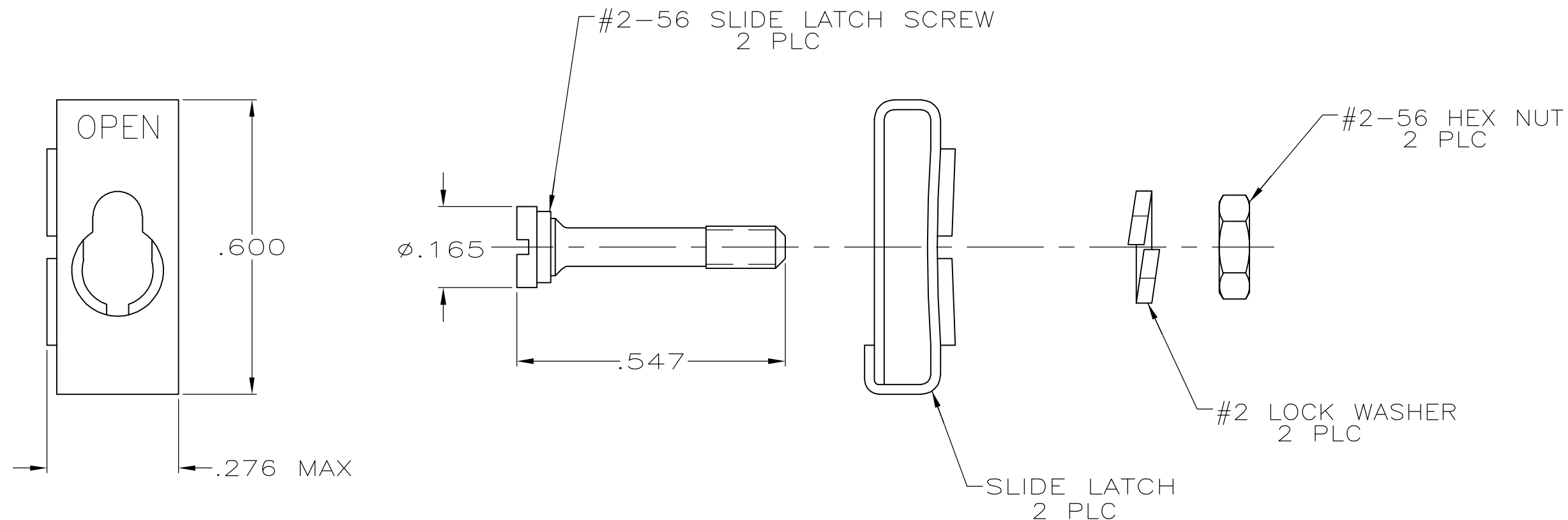


THIS DRAWING IS UNPUBLISHED. RELEASED FOR PUBLICATION
 © COPYRIGHT BY TYCO ELECTRONICS CORPORATION. ALL RIGHTS RESERVED.

LOC	DIST	REVISIONS				
P	LTR	DESCRIPTION	DATE	DWN	APVD	
GP	00	0	RELEASED PER EC 0S13-0207-05	12JUL05	SW	JG



1. PARTS PACKAGED UNASSEMBLED.
2. PARTS PACKAGED AS A UNIT KIT.
3. ZINC PLATED .000200-.000400 THICK, CLEAR CHROMATE COATING.
4. THIS KIT CAN BE USED WITH TWO-PIECE STRAIGHT/90° EXIT CABLE CLAMPS, RFI/EMI CABLE CLAMPS, AND UNIVERSAL CABLE CLAMPS.

5748078-1
 PART NO

THIS DRAWING IS A CONTROLLED DOCUMENT.		DWN S.WAITMAN 12JUL05	Tyco Electronics Corporation Harrisburg, Pa 17105-3608														
DIMENSIONS: INCHES		CHK C.ROHDE 12JUL05															
TOLERANCES UNLESS OTHERWISE SPECIFIED:		APVD M.WALMSLEY 12JUL05	NAME KIT, TWO-PIECE SLIDE LATCH, SIZES 1 THRU 4, AMPLIMITE														
<table border="1"> <tr><td>0 PLC</td><td>± -</td></tr> <tr><td>1 PLC</td><td>± -</td></tr> <tr><td>2 PLC</td><td>± -</td></tr> <tr><td>3 PLC</td><td>± .005</td></tr> <tr><td>4 PLC</td><td>± -</td></tr> <tr><td>ANGLES</td><td>± -</td></tr> </table>		0 PLC	± -	1 PLC	± -	2 PLC	± -	3 PLC	± .005	4 PLC	± -	ANGLES	± -	PRODUCT SPEC -	-		
0 PLC	± -																
1 PLC	± -																
2 PLC	± -																
3 PLC	± .005																
4 PLC	± -																
ANGLES	± -																
MATERIAL SLIDE LATCH: STAINLESS STEEL HARDWARE: STEEL		APPLICATION SPEC -	SIZE A3	CAGE CODE 00779	DRAWING NO C-5748078	RESTRICTED TO -											
FINISH HARDWARE: 3		WEIGHT -	CUSTOMER DRAWING			SCALE 4:1	SHEET 1 OF 1	REV 0									