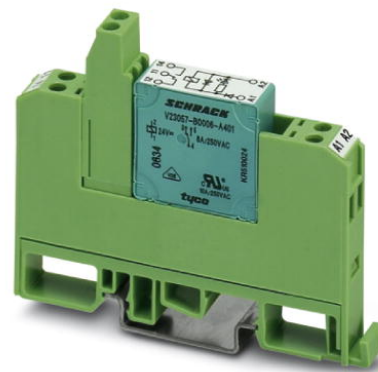


# EMG 10-REL/KSR- 24/21-LC

Order No.: 2942658

The figure shows the EMG 10-REL/KSR-G 24/21-LC variant




<http://eshop.phoenixcontact.de/phoenix/treeViewClick.do?UID=2942658>

Relay module, with soldered-in miniature switching relay, contact (AgNi): Medium to large loads, 1 PDT, input voltage 24 V AC/DC



## Commercial data

GTIN (EAN)	 4 017918 080808
sales group	G031
Pack	10 pcs.
Customs tariff	85364190
Catalog page information	Page 124 (IF-2009)

## Product notes

WEEE/RoHS-compliant since:  
05/15/2006



<http://www.download.phoenixcontact.com>  
Please note that the data given here has been taken from the online catalog. For comprehensive information and data, please refer to the user documentation. The General Terms and Conditions of Use apply to Internet downloads.

## Technical data

### Coil side

Nominal input voltage $U_N$	24 V AC/DC
Input voltage range in reference to $U_N$	0.9 ... 1.1
Nominal input current at $U_{IN}$	21 mA
Typical response time	7 ms

Typical release time	11 ms
Operating voltage display	Yellow LED
Type of protection	Bridge rectifier
Protective circuit/component	Bridge rectifier

#### Contact side

Contact type	Single contact, 1-PDT
Contact material	AgNi
Maximum switching voltage	250 V AC/DC
Maximum inrush current	8 A
Limiting continuous current	6 A
Interrupting rating (ohmic load) max.	140 W (at 24 V DC)
	53 W (for 48 V DC)
	45 W (for 60 V DC)
	35 W (for 110 V DC)
	55 W (for 220 V DC)
	1500 VA (for 250 V AC)

#### General data

Width	10.6 mm
Height	75 mm
Depth	62.5 mm
Test voltage relay winding/relay contact	4 kV AC (50 Hz, 1 min.)
Ambient temperature (operation)	-20 °C ... 40 °C
Ambient temperature (storage/transport)	-20 °C ... 70 °C
Operating mode	100% operating factor
Mechanical service life	Approx. $2 \times 10^7$ cycles
Standards/regulations	IEC 60664
	EN 50178
	IEC 62103
Rated surge voltage / insulation	Basic insulation
Pollution degree	2
Surge voltage category	III
Mounting position	Any
Assembly instructions	In rows with zero spacing

#### Connection data

Type of connection	Screw connection
Conductor cross section solid min.	0.2 mm <sup>2</sup>
Conductor cross section solid max.	4 mm <sup>2</sup>
Conductor cross section stranded min.	0.2 mm <sup>2</sup>
Conductor cross section stranded max.	2.5 mm <sup>2</sup>
Conductor cross section AWG/kcmil min.	24
Conductor cross section AWG/kcmil max	12
Stripping length	8 mm
Screw thread	M3

#### Certificates / Approvals



Certification

CUL, GOST, UL

#### Accessories

Item	Designation	Description
------	-------------	-------------

#### Marking

2947585	EMG-SGKS 10	Equipment marker, narrow
---------	-------------	--------------------------

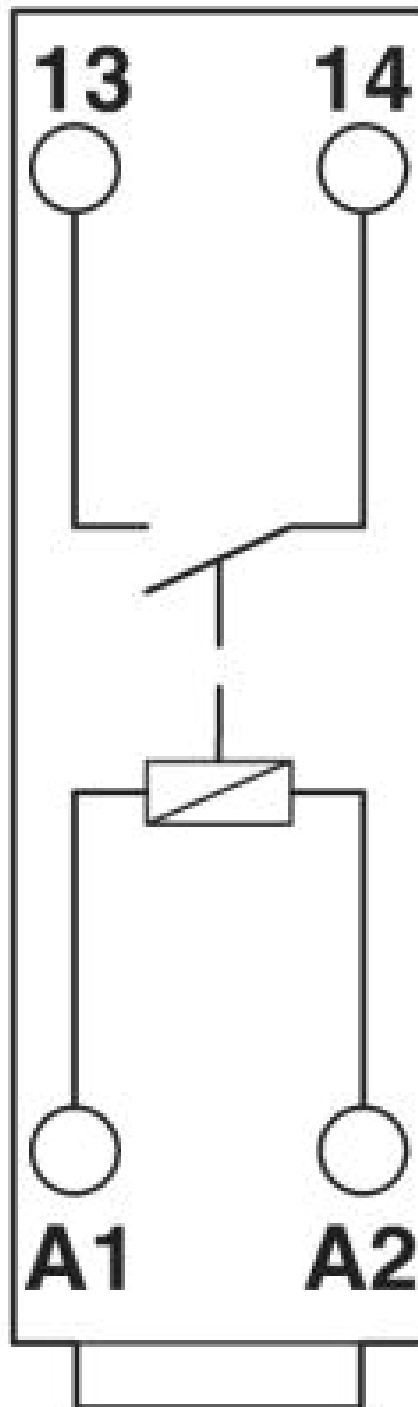
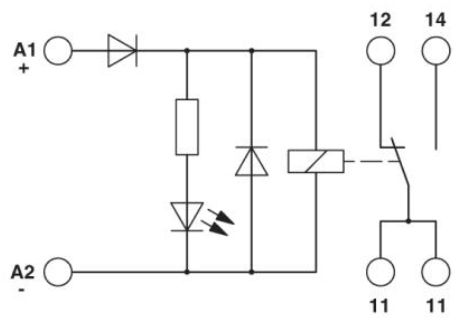
**Diagrams/Drawings**

Connection diagram

---



Circuit diagram



**Address**

PHOENIX CONTACT Deutschland GmbH  
Flachmarktstr. 8  
32825 Blomberg, Germany  
Phone +49 5235 3 12000  
Fax +49 5235 3 41200  
<http://www.phoenixcontact.de>



© 2011 Phoenix Contact  
Technical modifications reserved;