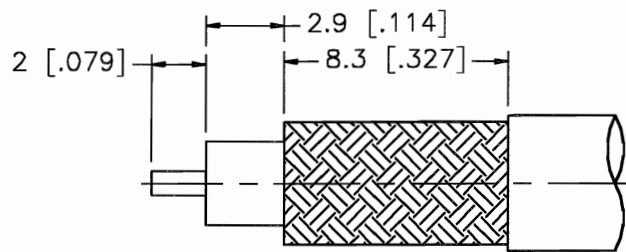
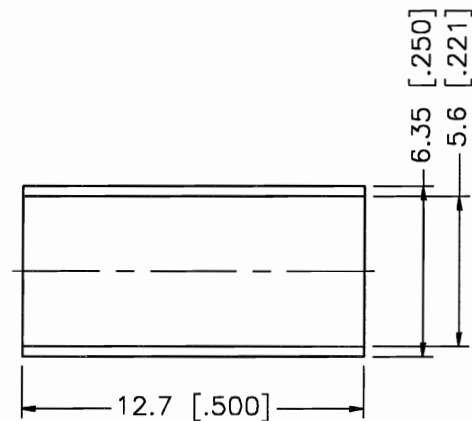
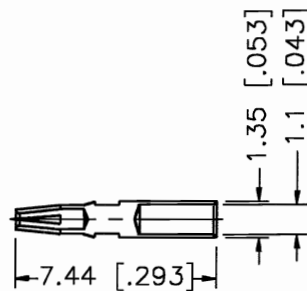
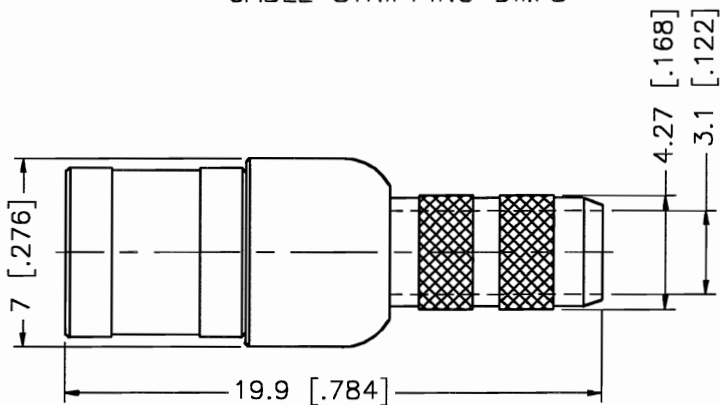


REV.	DATE	DESCRIPTION
NC	03/13/00	INITIAL RELEASE




RECOMMENDED  
CABLE STRIPPING DIM'S



CRIMP NOTE:

1. CRIMPED FERRULE  
HEX CRIMP SIZE .213"

DESCRIPTION	MATERIAL	FINISH	UNLESS OTHERWISE SPECIFIED DIMENSIONS ARE IN MILLIMETERS	APPROVALS	DATE														
1	BODY	BRASS	NICKEL	<small>DIMENSIONS IN [ ] ARE IN INCHES FOR CUSTOMER REFERENCE ONLY</small>	DRAWN					G.R.S.	03/13/00	TITLE SMB CRIMP PLUG (FOR RG-142A/U, 223/U, 400/U CABLE)							
2	INSULATOR	TEFLON	NATURAL		CHECKED				<table border="1"> <tr> <td>SIZE</td> <td>FSCM NO.</td> <td>DWG. NO.</td> <td>REV.</td> </tr> <tr> <td>A</td> <td>99001</td> <td>142219.DWG</td> <td>NC</td> </tr> </table>							SIZE	FSCM NO.	DWG. NO.	REV.
SIZE	FSCM NO.	DWG. NO.	REV.																
A	99001	142219.DWG	NC																
3	CONTACT PIN	BER. COPPER	GOLD	<small>UNLESS OTHERWISE SPECIFIED TOLERANCES FOR MILLIMETERS ARE:</small> 0.5-6 = ± 0.2 6-30 = ± 0.4 30-120 = ± 0.6 120-315 = ± 1 315-1000 = ± 1.6 1000-2000 = ± 2.4	ISSUED			<table border="1"> <tr> <td>SCALE</td> <td>NA</td> <td>PART NO.</td> <td>142219</td> <td>SHEET</td> <td>1 OF 1</td> </tr> </table>				SCALE	NA	PART NO.	142219	SHEET	1 OF 1		
SCALE	NA	PART NO.	142219		SHEET	1 OF 1													
4	FERRULE	COPPER	NICKEL																
5																			
6																			
7								DO NOT SCALE DRAWING											
8																			