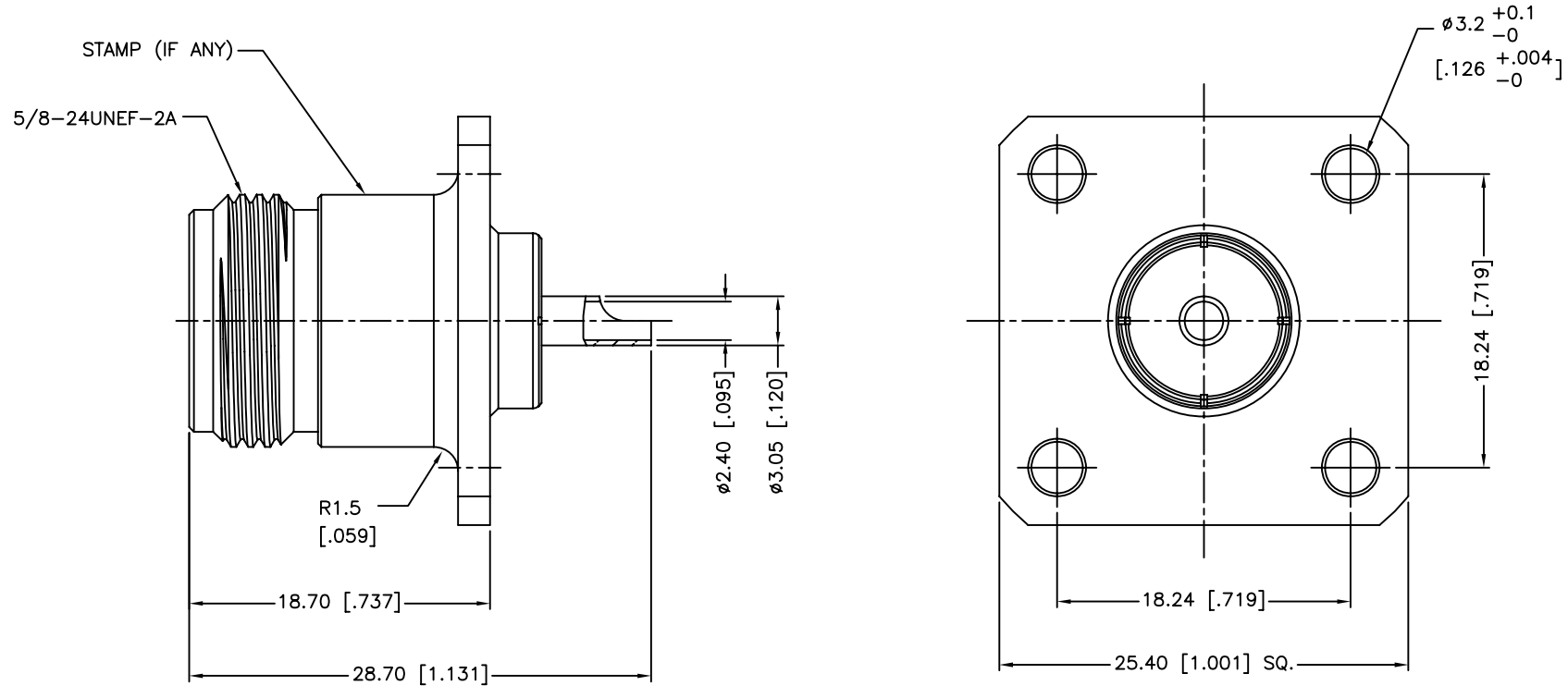


REV.	DATE	ECR NO.	DESCRIPTION
NC	12/14/09	XXXXXX	INITIAL RELEASE



UNLESS OTHERWISE SPECIFIED DIMENSIONS ARE IN MILLIMETERS. DIMENSIONS IN [] ARE IN INCHES AND FOR CUSTOMER REFERENCE ONLY.

UNLESS OTHERWISE SPECIFIED TOLERANCES FOR MILLIMETERS ARE:
0.5 - 8mm ± 0.20mm
8 - 30mm ± 0.40mm
30 - 120mm ± 0.50mm

UNLESS OTHERWISE SPECIFIED TOLERANCES FOR INCHES ARE:
.020 - .315 = ± 0.007"
.315 - 1.180 = ± 0.015"
1.180 - 4.724 = ± 0.020"

DO NOT SCALE DRAWING

APPROVALS	DATE
DRAWN M.ZHANG	12/14/09
CHECKED	
ISSUED	
SHEET 1 OF 1	
CAD FILE C:/CONNEX/172119-11.DWG	

Amphenol Connex			
PART DESCRIPTION N PANEL RECEPT. JACK			
PART NO. 172119-11			
DWG. NO.	172119-11.DWG	REV.	NC
SIZE	A	SCALE	NA

DESCRIPTION	MATERIAL	FINISH	QTY
3 CONTACT PIN	PHOSPHOR BRONZE	GOLD	1
2 INSULATOR	PTFE	NATURAL	1
1 BODY	BRASS	NICKEL	1