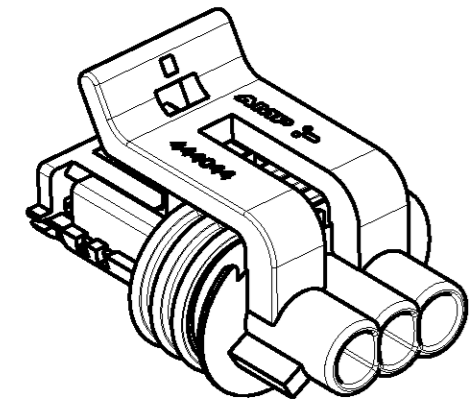
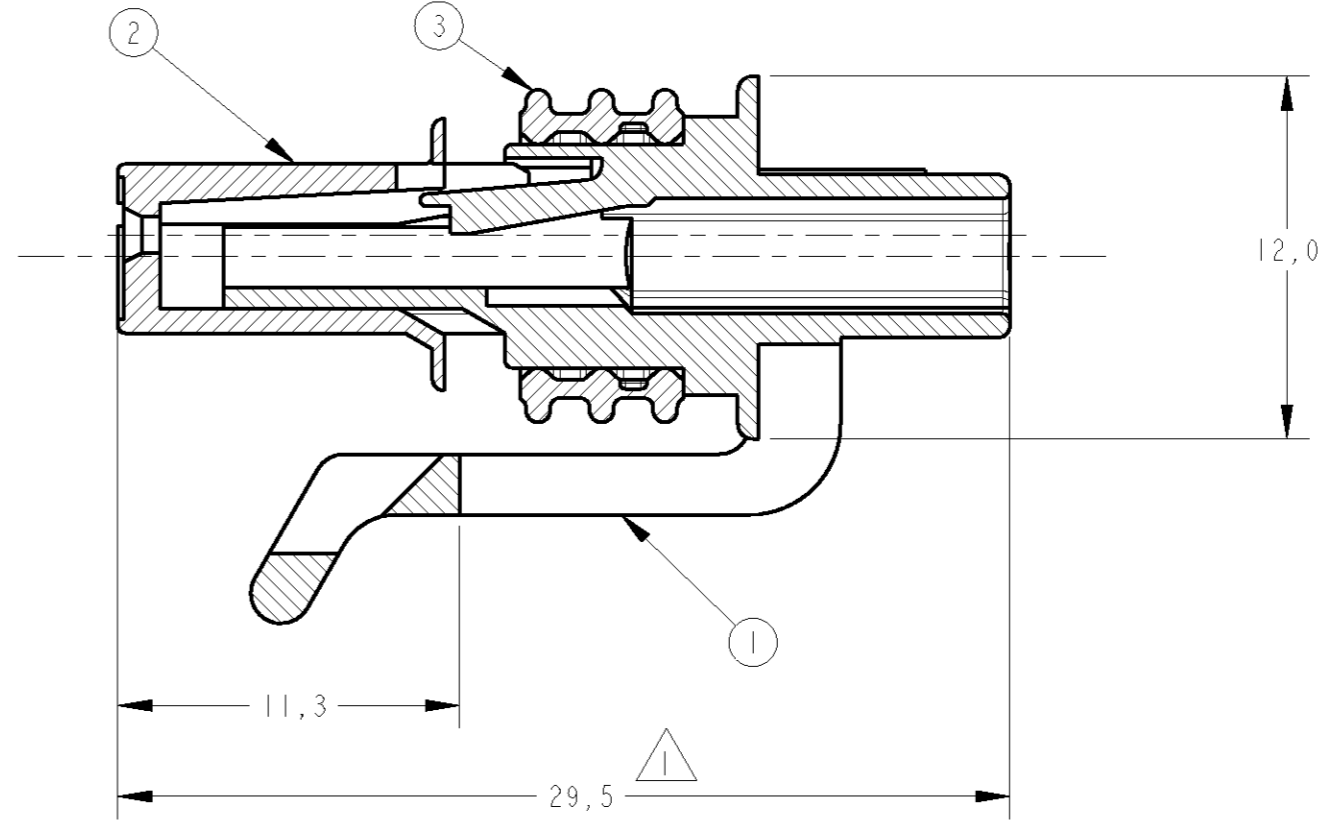
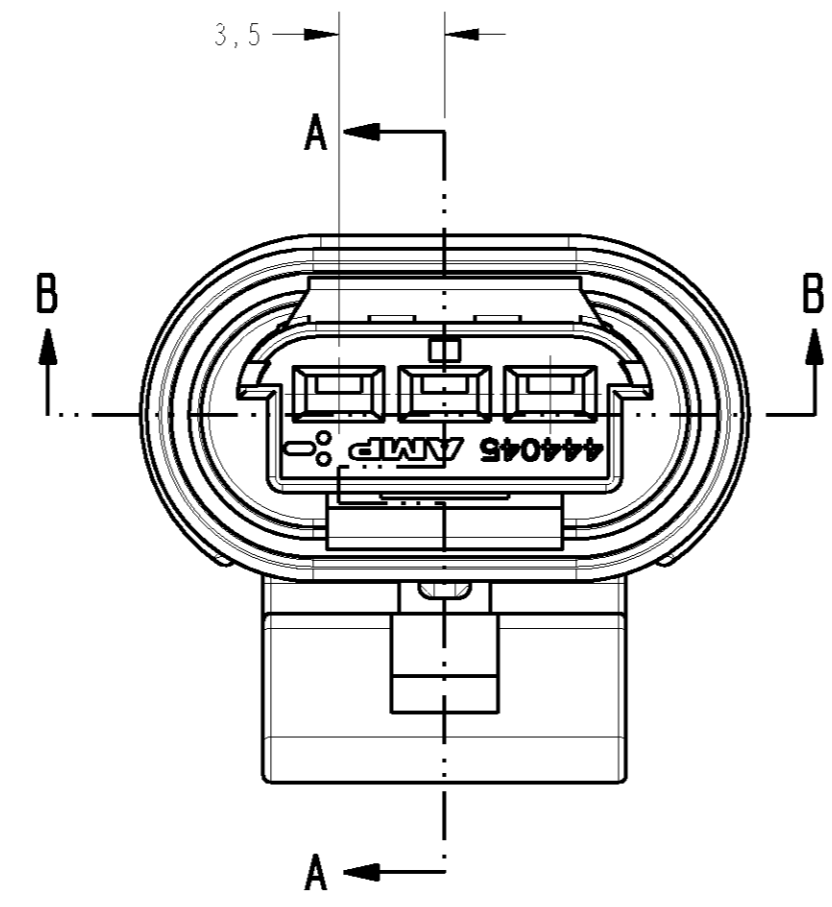
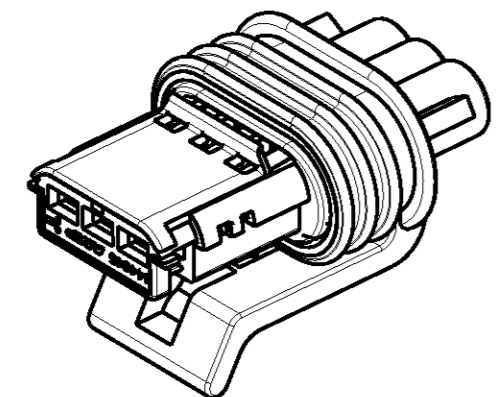


THIS DRAWING IS UNPUBLISHED. RELEASED FOR PUBLICATION 20
COPYRIGHT 20 BY TYCO ELECTRONICS CORPORATION. ALL RIGHTS RESERVED.

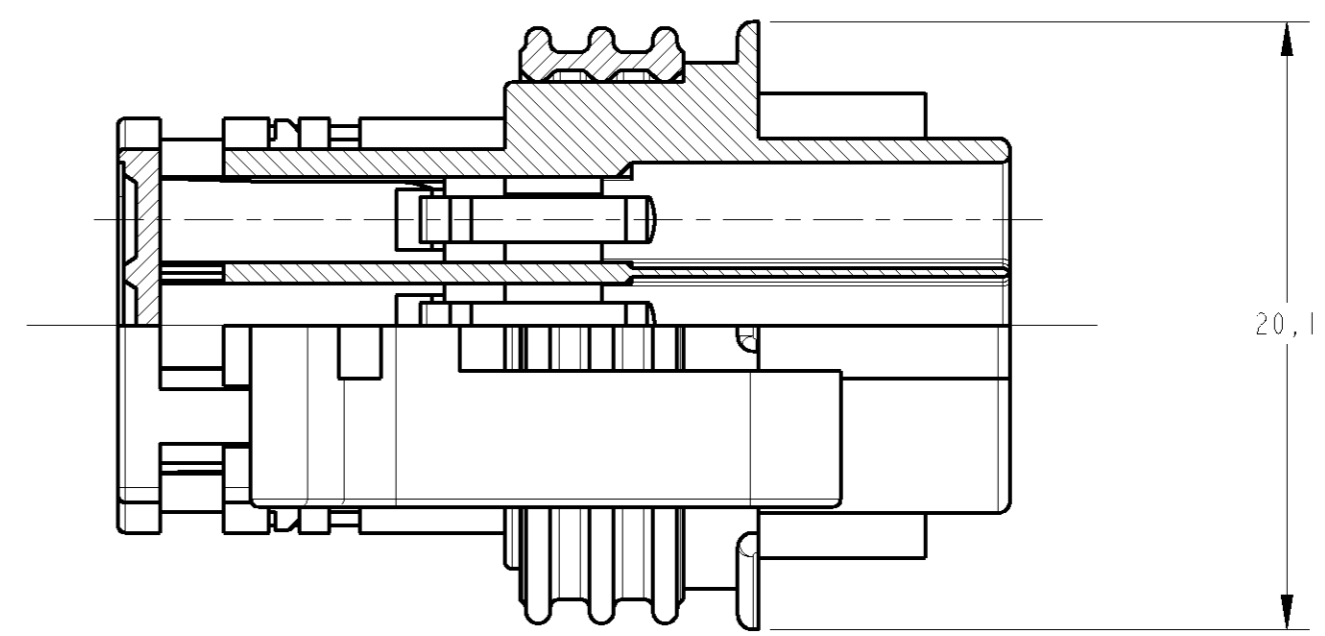
LOC	DIST	REVISIONS			
P	LTR	DESCRIPTION	DATE	DWN	APVD
AP	-	REV. ACC. TO ECO-06-010895	10MAY2006	AP	PLF



PERSPECTIVE VIEWS
SCALE 2:1



SECTION A-A



SECTION B-B

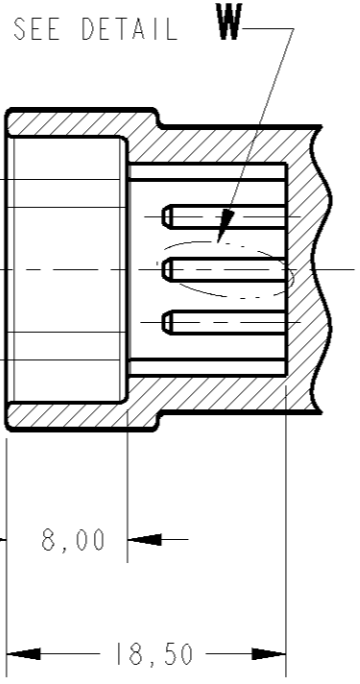
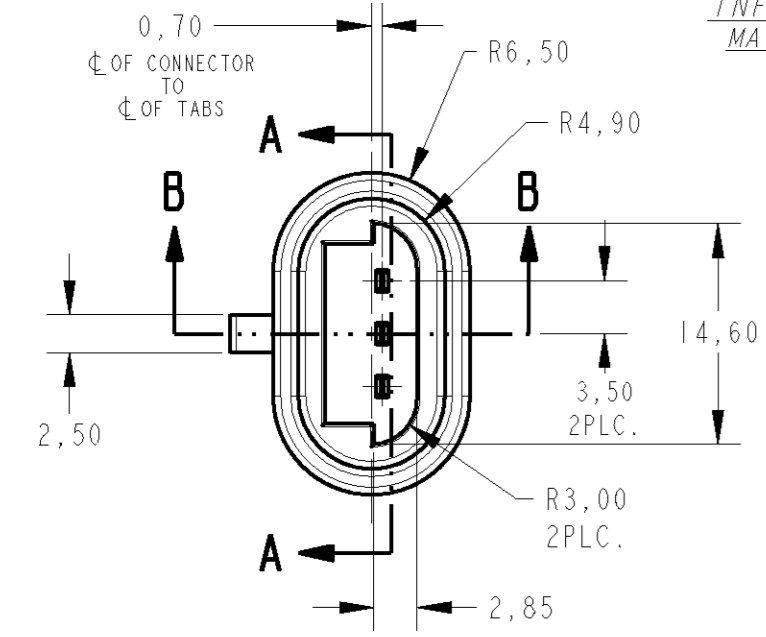
GRAVAÇÕES MARKINGS	
LOGOTIPO AMP AMP LOGO	
CÓDIGO PAÍS PRODUTOR MANUFACTURER COUNTRY CODE	
NÚMERO COMPONENTE AMP AMP COMPONENT NUMBER	
NÚMERO CAVIDADE CAVITY NUMBER	
IDENTIFICAÇÃO CIRCUITO CIRCUIT IDENTIFICATION	

△ - DEVE SER FORNECIDO NA CONDIÇÃO DE PRÉ TRAVAMENTO, CONFORME MOSTRADO.

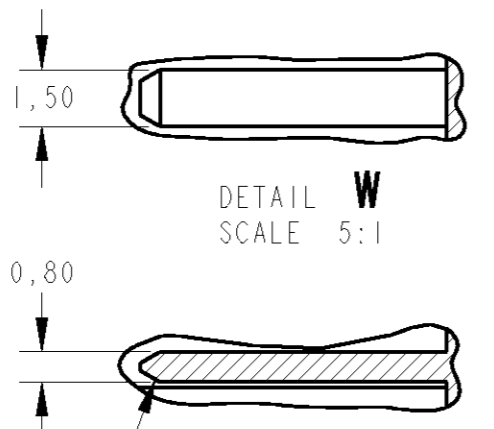
△ - MUST BE SUPPLIED IN PRE LOCK POSITION AS SHOWN.

REQ. PER ASSY	ITEM	DESCRIPTION	MATERIAL	NOTES		
-	-	1	3	CONNECTOR SEAL.	SILICONE	VERDE / GREEN
-	-	1	2	SPACER, 3 POSN., MULTI-LOCK RECEP.	PA 6.6	AMARELO / YELLOW
-	-	1	1	HOUSING, 3 POSN., MULTI-LOCK RECEP.	PA 6.6	PRETO / BLACK

INFORMAÇÕES DA CONTRA PEÇA
MATING CONNECTOR INFORMATIONS
SCALE 2:1

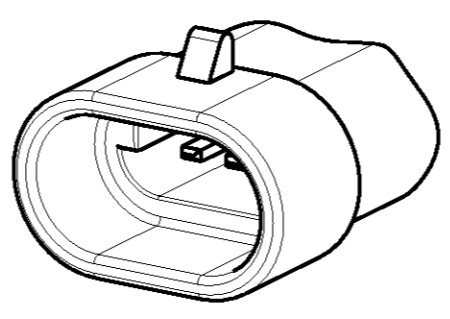


SECTION A-A



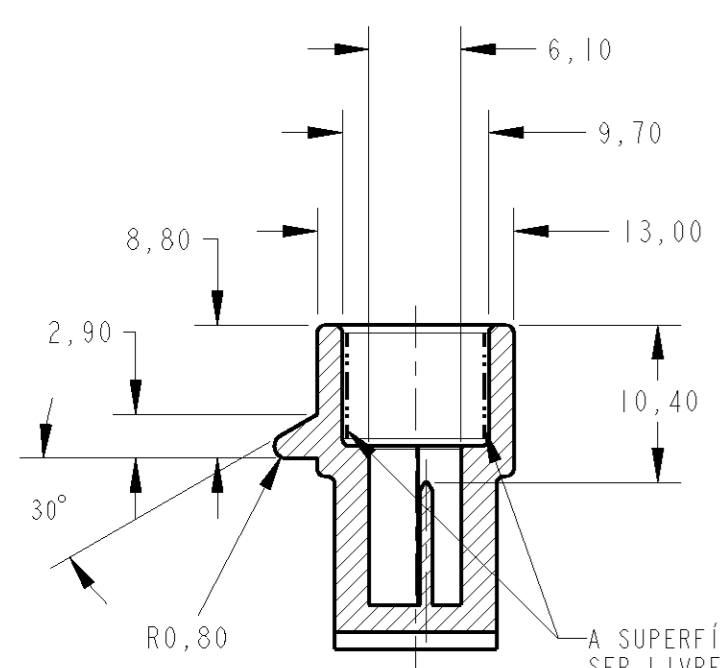
DETAIL W
SCALE 5:1

A PONTA DOS TABS DEVE SER LIVRE DE DEFEITOS
TABS ENDS MUST BE FREE OF DEFECTS



PERSPECTIVE VIEW
SCALE 2:1

TOLERÂNCIAS NÃO ESPECIFICADAS=±0,1
NOT SPECIFIED TOLERANCES=±0.1



SECTION B-B

A SUPERFÍCIE DE SELAGEM DEVE SER LIVRE DE DEFEITOS
SEALING SURFACE MUST BE FREE OF DEFECTS

THIS DRAWING IS A CONTROLLED DOCUMENT FOR TYCO ELECTRONICS CORPORATION IT IS SUBJECT TO CHANGE AND THE CONTROLLING ENGINEERING ORGANIZATION SHOULD BE CONTACTED FOR THE LATEST REVISION.		DWN A. PERUSSI 05DEC2005 CHK P. L. FARIA 05DEC2005 APVD J. W. PRADO 05DEC2005	AMP TYCO ELECTRONICS do Brasil LTDA. Sao Paulo, Brasil
DIMENSIONS: mm 	TOLERANCES UNLESS OTHERWISE SPECIFIED: 0 PLC ± 1 PLC ±0.3 2 PLC ± 3 PLC ± 4 PLC ± ANGLES ±1 FINISH	PRODUCT SPEC - / - APPLICATION SPEC - / - WEIGHT - / -	NAME HOUSING ASS'Y, 3 POSN. MULTI-LOCK RECEP. SIZE A2 CAGE CODE 00779 DRAWING NO. C-444043 RESTRICTED TO - / -
MATERIAL	SEE TABLE	CUSTOMER DRAWING	SCALE 4:1 SHEET OF REV J