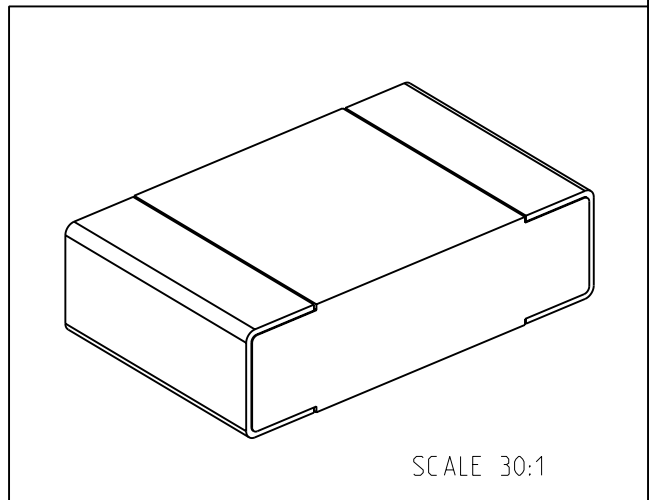
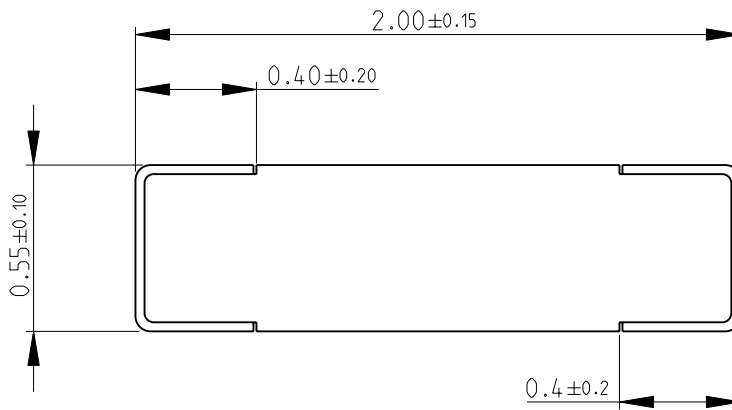
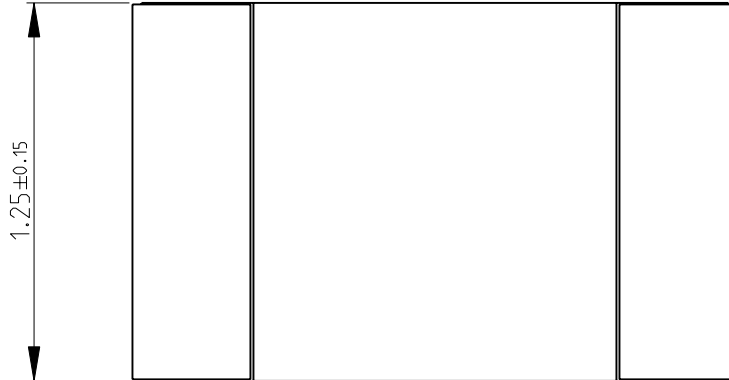


LOC	DIST	REVISIONS					
E	B	P	LTR	DESCRIPTION	DATE	DWN	APVD
			BA	NEW RELEASE	08-JAN-09	SM	St.P

FOR FURTHER INFORMATION SEE DATA SHEET FOR  
CRG SERIES-THICK FILM CHIP RESISTORS



SCALE 30:1

RoHS Compliant

2009

RELEASED FOR PUBLICATION

THIS DRAWING IS UNPUBLISHED.

© COPYRIGHT 2009 BY TYCO ELECTRONICS CORPORATION. ALL RIGHTS RESERVED.

DIMENSIONS: mm	DWN	SUBHASH.M	08-JAN-09	MATERIAL	-	FINISH	-
	CHK	PRAKASH.S	08-JAN-09	Tyco Electronics Corporation Dorcan, Swindon, SN3 5HH			
TOLERANCES UNLESS OTHERWISE SPECIFIED:	APVD	STEPHEN.P	08-JAN-09				
0 PLC ±0.5	PRODUCT SPEC	-		NAME			
1 PLC ±0.2	APPLICATION SPEC	-		THICK FILM CHIP RESISTORS			
2 PLC ±0.1	WEIGHT	-		SIZE	CAGE CODE	DRAWING NO	RESTRICTED TO
3 PLC ±-				A 4	00779	© = 1623173	-
4 PLC ±-				CUSTOMER DRAWING			
ANGLES ±5°				SCALE	40:1	SHEET	1 OF 1
				REV BA			