

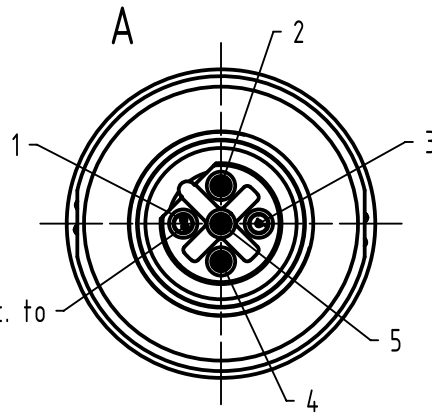
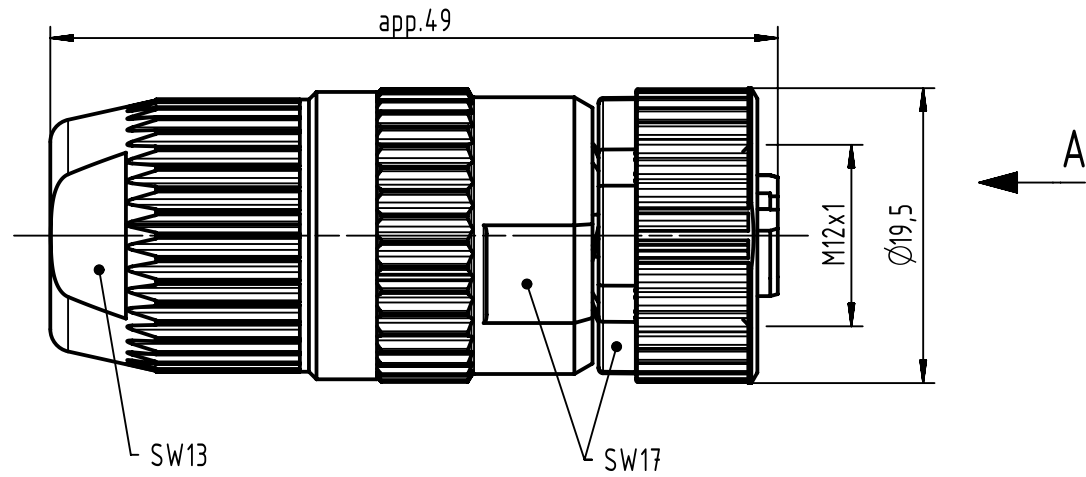
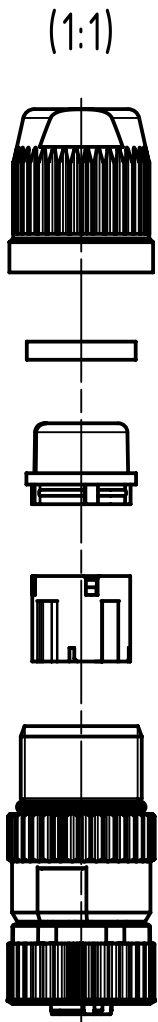
1 2 3 4 5 6

A

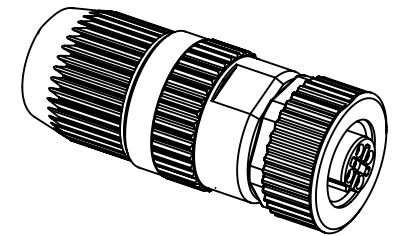
B

C


D



Contact face acc. to IEC 61076-2-101



conductor cross section	0,14 - 0,34mm ² AWG26 - AWG22
cable outside diameter	4,5 - 8,8mm

	All rights reserved Department EC PD - DE	All Dimensions in mm Original Size DIN A4			Scale 2:1	Free size tol.		Ref. Sub.	
		Created by DYCKC	Inspected by EISFELD	Standardisation KOHLER	Date 2017-03-30	State Final Release			
HARTING Electronics GmbH D-32339 Espelkamp		Title HARAX M12-L shielded female B-coded						Doc-Key / ECM-Nr. 100212277/UGD/006/A 500000107568	
		Type TB	Number 21652412300			Rev. A	Page 1/1		