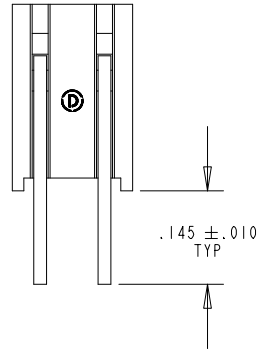
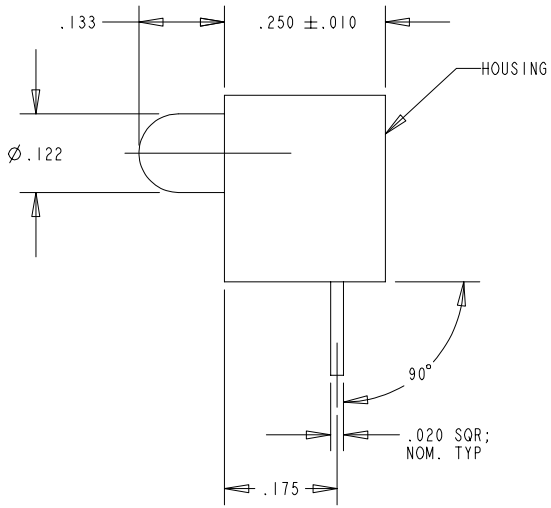
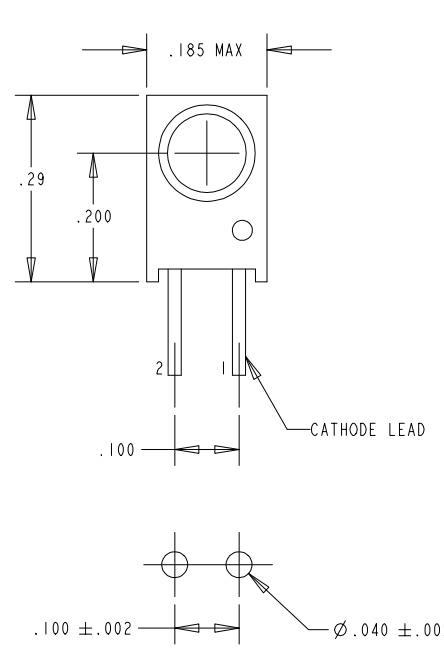


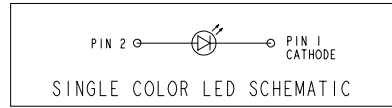
OPERATING CHARACTERISTICS AT T _a = 25°C										
PART NUMBER	COLOR	LUMINOUS INTENSITY (cd)		FORWARD VOLTAGE (V)		DC REVERSE CURRENT (μA)	DOMINANT WAVELENGTH (nm)	VIEWING ANGLE 2% 01/2 (°)	COLOR COORDINATES	
		MIN	TYP	TYP	MAX	MAX	TYP	NOM	X	Y
		MIN./MAX.		MIN./MAX.						
551-4007	BLUE	0.6	1.0	3.6	4.0	50	470	30		
551-4107	WHITE	0.76	1.27	3.6	4.0	50		60	0.23/0.39	0.22/0.42
551-4207	GREEN	2.0	3.4	3.5	4.0	50	525	30		

REV.	ECN NO.	REVISIONS	DRN.	CKD.	APP.	DATE
A		NEW RELEASE	DC			

ABSOLUTE MAXIMUM RATINGS AT T _a = 25°C					
DC FORWARD CURRENT (mA)	PULSE FORWARD CURRENT (mA)	DC REVERSE VOLTAGE (V)	POWER DISSIPATION (mW)	OPERATING TEMPERATURE (°C)	STORAGE TEMPERATURE (°C)
30	100	5	120	-30 TO +80	-40 TO +100



- NOTES:
- DIALIGHT PART NUMBER 551-4007, 551-4107, 551-4207.
 - ATTENTION: OBSERVE PRECAUTIONS FOR HANDLING ELECTROSTATIC SENSITIVE DEVICES. FOR EYE SAFETY, DO NOT STARE DIRECTLY INTO THE LIGHT BEAM OF THESE LED DEVICES AT CLOSE RANGE.
 - PIN NUMBERS FOR REFERENCE ONLY, DESIGNATION NON-EXISTENT ON PART



THIS DRAWING AND THE CONTENTS HEREIN ARE CONFIDENTIAL AND THE SOLE PROPERTY OF DIALIGHT. REPRODUCTION OF THIS DRAWING OR CONSTRUCTION OF ANY PARTS WITHIN THIS DRAWING ARE FORBIDDEN WITHOUT THE WRITTEN CONSENT OF DIALIGHT.		
SCALE 5:1	DRAWING NUMBER	REV
ALL DIM'S IN: INCHES (MM)	C-16799	A
TOLERANCES: UNLESS OTHERWISE SPECIFIED	TITLE	
FRACTIONS: ±1/64	SINGLE COLOR Ø3 mm CBI	
DECIMALS (.XX): ±.020	MATERIAL	
DECIMALS (.XXX): ±.015	Dialight	
ANGLES: ±3°	1501 ROUTE 34 SOUTH FARMINGDALE, NJ 07727	
FINISH:	SHEET OF FAMILY TABLE:	
FSCM 83330		