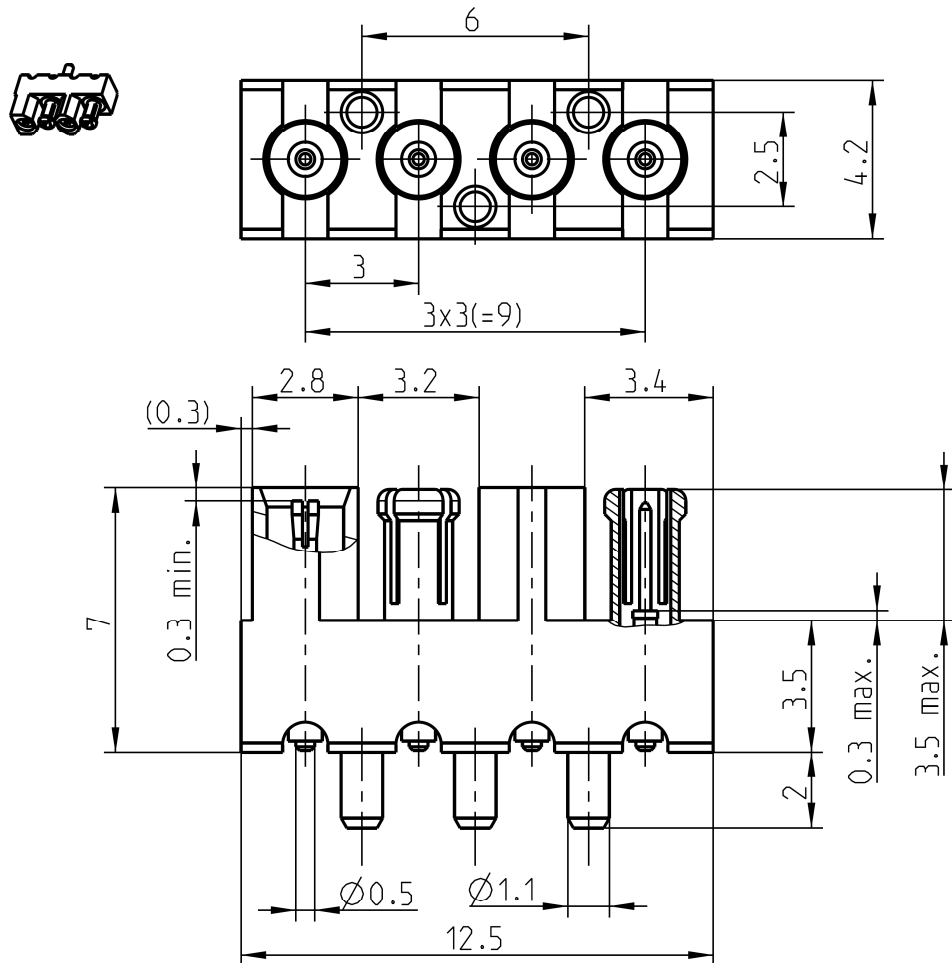


Insert
Mini-Coax

4 Channel Block Straight

23C14E-40ML5



All dimensions are in mm; tolerances according to ISO 2768 m-H

Interface

According to

Rosenberger Mini-Coax

Documents

Pcb-Layout

B 501A

Material and plating

Connector parts

- Center contact
- Outer contact male
- Outer contact female
- Body
- Dielectric

Material

- CuBe or equiv.
- CuBe
- Brass
- Brass
- PTFE

Plating

- AuroDur®, gold plated
- AuroDur®, gold plated
- AuroDur®, gold plated
- Gold, 0.2 µm min.

Dieses Dokument ist urheberrechtlich geschützt • This document is protected by copyright • Rosenberger Hochfrequenztechnik GmbH & Co. KG

RF_35/08.13/6.1

Insert
Mini-Coax

4 Channel Block Straight

23C14E-40ML5

Electrical data

| | |
|--------------------------------|--|
| Impedance | 50 Ω |
| Frequency | DC to 40 GHz |
| Return loss | ≥ 25 dB @ DC to 3 GHz ≥ 20 dB @ 3 GHz to 6 GHz ≥ 16 dB @ 6 GHz to 20 GHz ≥ 12 dB @ 20 GHz to 40 GHz |
| Insertion loss | ≤ 0.04 x √f [GHz] dB |
| Insulation resistance | ≥ 1GΩ |
| Center contact resistance | ≤ 10 mΩ |
| Outer contact resistance | ≤ 3 mΩ |
| Test voltage (at sea level) | 750 V rms |
| Working voltage (at sea level) | 500 V rms |
| RF-leakage | ≥ 80 dB @ DC to 1 GHz ≥ 60 dB @ 1 GHz to 4 GHz |

- Connector only, VSWR in application depends decisive on PCB layout -

Mechanical data

| | |
|------------------|------------------------|
| Mating cycles | ≥ 500 |
| Engagement force | max. 30 N typical 20 N |
| Extraction force | max. 30 N typical 20 N |

Environmental data

| | |
|----------------------------|--|
| Temperature range | -40 °C to +125 °C |
| Climatic category | IEC 60068-2-1 40/85/21 |
| Dry heat | IEC 60068-2-2 |
| Damp heat | IEC 60068-2-78 |
| Shock | IEC 60068-2-27 (50g halfsinus, 2 shocks/axis during 11 sec.) |
| Max. soldering temperature | IEC 61760-1, +260 °C for 10 sec. |
| RoHS | compliant |

Tooling

N/A

Suitable cables

N/A

Weight

1.8 g/pce

While the information has been carefully compiled to the best of our knowledge, nothing is intended as representation or warranty on our part and no statement herein shall be construed as recommendation to infringe existing patents. In the effort to improve our products, we reserve the right to make changes judged to be necessary.

| Draft | Date | Approved | Date | Rev. | Engineering change number | Name | Date |
|--|----------|------------------|----------|------|---------------------------|--|---------------|
| Martin Moder | 28/08/15 | Herbert Babinger | 02/05/16 | a00 | 16-s144 | M.Ruf | 02/05/15 |
| Rosenberger Hochfrequenztechnik GmbH & Co. KG P.O.Box 1260 D-84526 Tittmoning Germany www.rosenberger.de | | | | | | Tel. : +49 8684 18-0 Email : info@rosenberger.de | |
| | | | | | | | Page 2 / 2 |