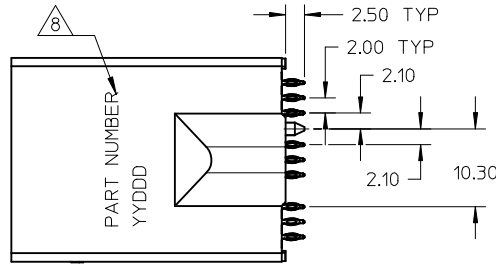
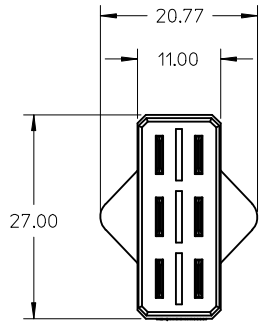
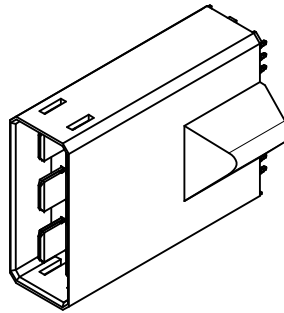
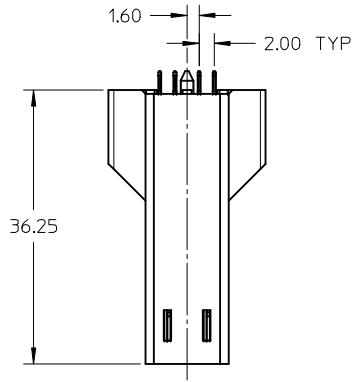


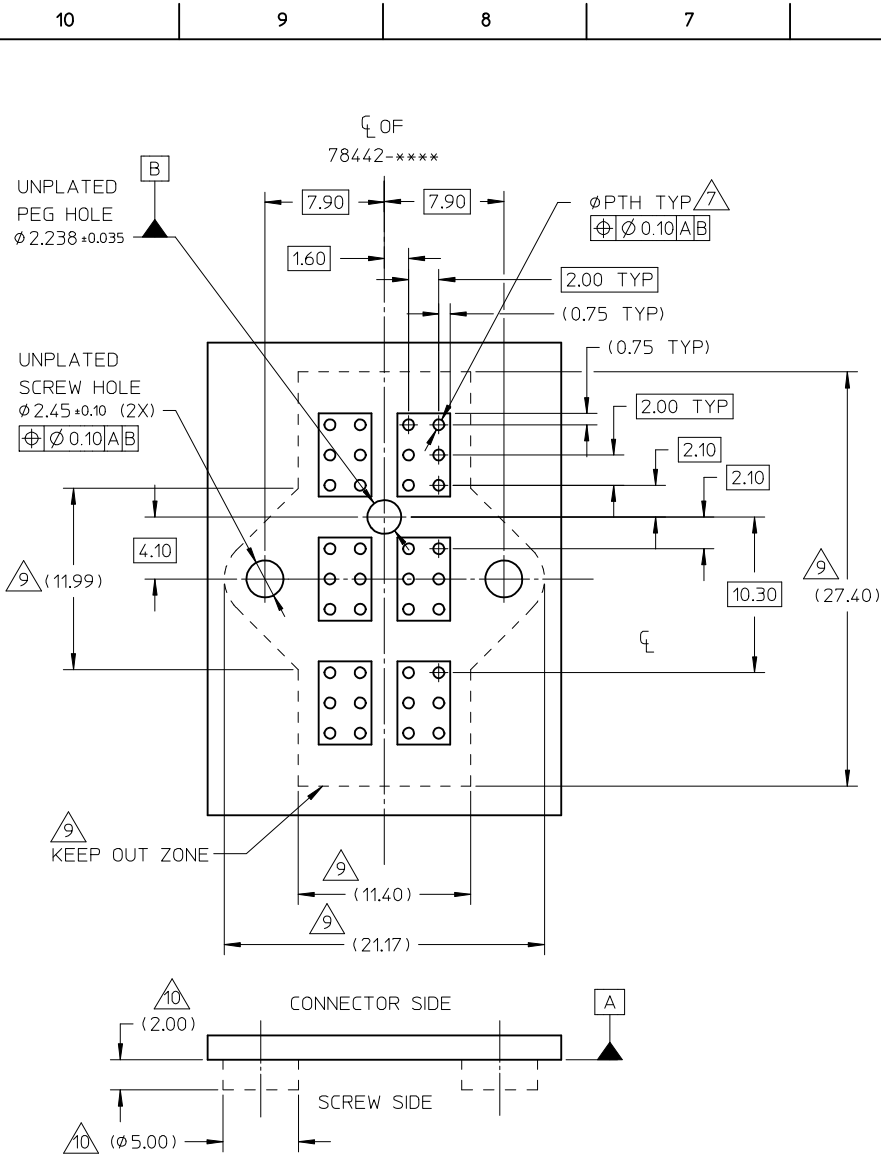
10	9	8	7	6	5	4	3	2	1
PART NUMBER	PLATING OPTIONS	PACKAGING							
78442-1022	TIN PLATING	TRAY							



NOTES:

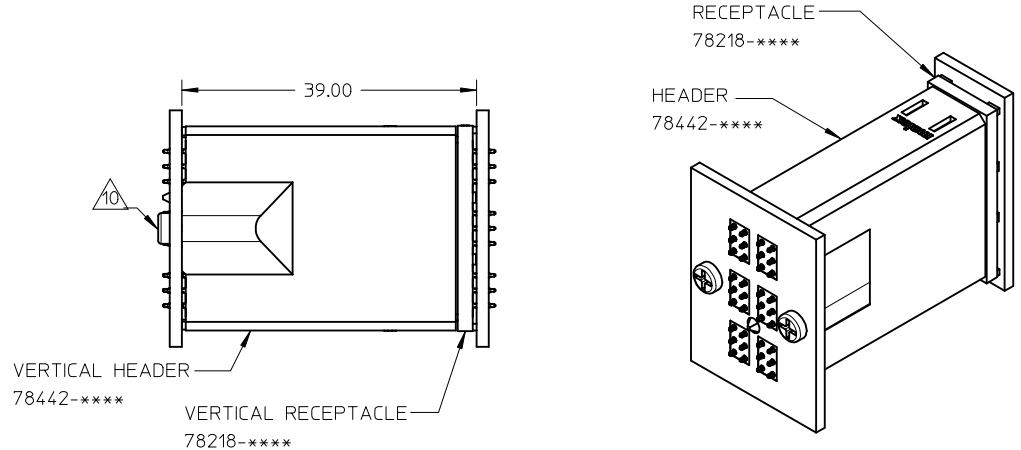
- MATERIAL:
HOUSING - LCP, GLASS FILLED, UL94-V0, COLOR: BLACK
POWER PIN - COPPER ALLOY
- FINISHES:
TIN - 0.76 μ m MINIMUM GOLD AT CONTACT AND
2.54 μ m MINIMUM TIN AT SOLDER TAIL AREA OVER
1.27 μ m MINIMUM NICKEL UNDERPLATE OVERALL.
- PRODUCT SPECIFICATION: PS-78213-001.
- PACKAGING SPECIFICATION: PK-78442-001.
- MATES WITH 78218-****.
- REFER SHEET 2 FOR RECOMMENDED PCB LAYOUT.
- REFER TO MOLEX PRODUCT SPECIFICATION PS-78213-001 FOR PLATED THROUGH-HOLE SPECIFICATIONS.
- PART NUMBER AND DATE CODE (YYDDD) APPROXIMATELY SHOWN.
- KEEP OUT ZONE FROM OTHER COMPONENTS.
- PARTS ARE SHIPPED WITH #2-32 TYPE AB SELF-TAPPING SCREW PART NUMBER 73726-0000.

UPDATED PG2 EC NO: S2014-0872 DRWN: SHONG 2015/01/19 CHKD: HICGH 2015/04/07 APPR: SHLENI 2015/04/07	DESCRIPTION D	QUALITY SYMBOLS	GENERAL TOLERANCES (UNLESS SPECIFIED)	DIMENSION STYLE	SCALE	DESIGN UNITS	THIRD ANGLE PROJECTION	
		$\nabla=0$ $\square=0$	mm INCH 4 PLACES \pm --- \pm --- 3 PLACES \pm --- \pm --- 2 PLACES \pm 0.25 \pm --- 1 PLACE \pm --- \pm --- ANGULAR \pm 3 °	MM ONLY	NTS	METRIC		
			DRAFT WHERE APPLICABLE MUST REMAIN WITHIN DIMENSIONS	DRAWN BY: KJKOH DATE: 2008/08/07 CHECKED BY: LNG DATE: 2008/09/19 APPROVED BY: SHONG DATE: 2008/09/22	TITLE	IMPACT POWER, 6 PAIR VERTICAL HEADER 39MM, PRESS-FIT		
				MATERIAL NO. DOCUMENT NO. SHEET NO. SEE TABLE SD-78442-001 1 OF 2	MOLEX INCORPORATED			

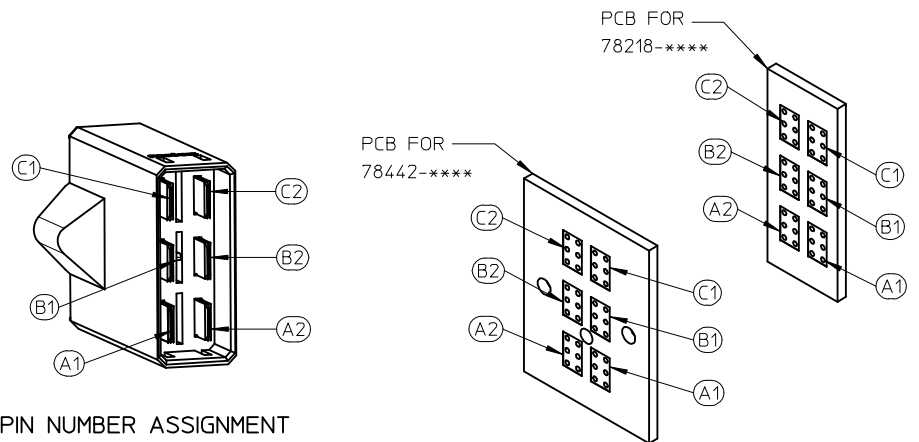


RECOMMENDED PCB LAYOUT

(COMPONENT SIDE SHOWN)
 BOARD THICKNESS: 1.60mm to 4.40mm



MATED SYSTEM WITH 78442
 VERTICAL HEADER (78442) & VERTICAL RECEPTACLE (78218)



UPDATED PG2 EC NO: S2014-0872 DRWN: SHONG CHKD: HICGOH APPR: SHILENI 2015/01/19 2015/04/07 2015/04/07	QUALITY SYMBOLS	GENERAL TOLERANCES (UNLESS SPECIFIED)	DIMENSION STYLE	SCALE	DESIGN UNITS	THIRD ANGLE PROJECTION
	$\nabla = 0$ $\square = 0$	mm INCH	MM ONLY	NTS	METRIC	
		4 PLACES \pm --- \pm ---	DRAWN BY DATE			TITLE
		3 PLACES \pm --- \pm ---	CHECKED BY DATE			IMPACT POWER, 6 PAIR VERTICAL HEADER 39MM, PRESS-FIT
	2 PLACES ± 0.25 \pm ---	APPROVED BY DATE			MOLEX INCORPORATED	
	1 PLACE \pm --- \pm ---	SHONG 2008/09/22			DOCUMENT NO.	
	ANGULAR $\pm 3^\circ$				SHEET NO.	
	DRAFT WHERE APPLICABLE MUST REMAIN WITHIN DIMENSIONS		SEE TABLE		SD-78442-001	2 OF 2
			SIZE A3	THIS DRAWING CONTAINS INFORMATION THAT IS PROPRIETARY TO MOLEX INCORPORATED AND SHOULD NOT BE USED WITHOUT WRITTEN PERMISSION		