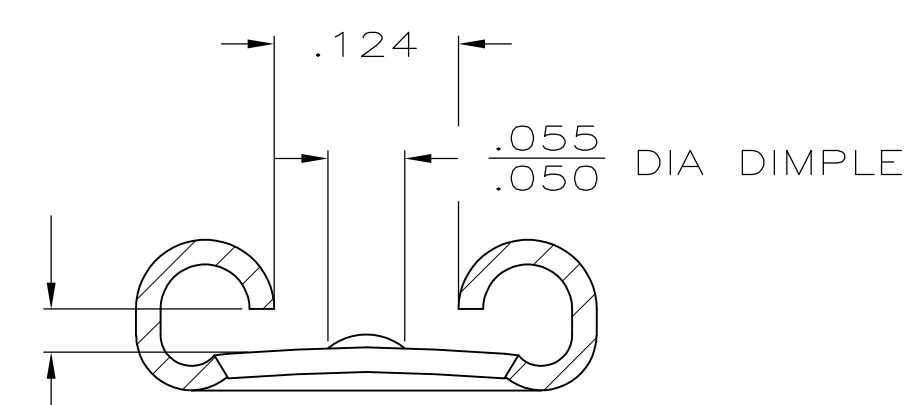
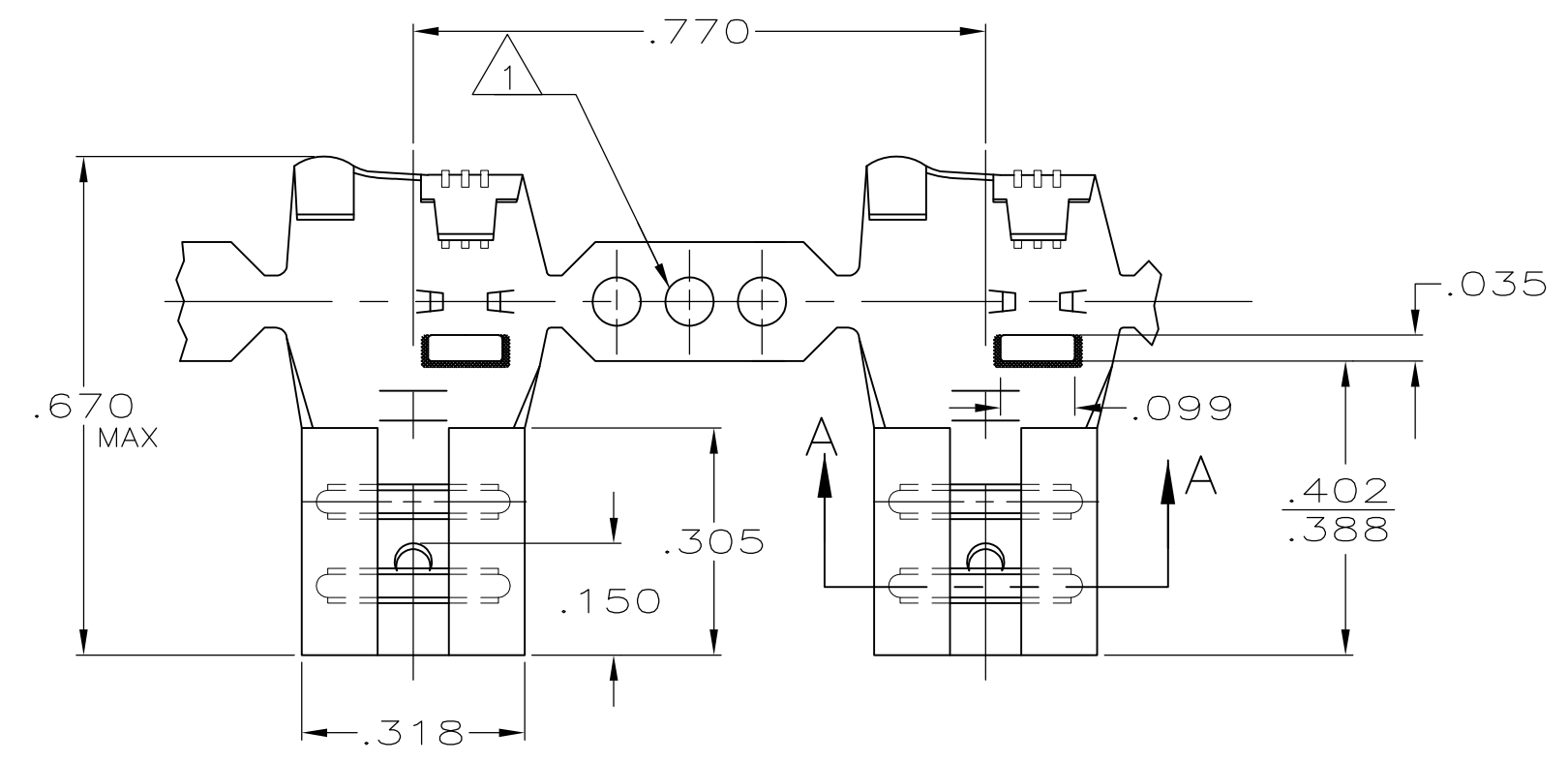


THIS DRAWING IS UNPUBLISHED. RELEASED FOR PUBLICATION
 © COPYRIGHT - By - ALL RIGHTS RESERVED.

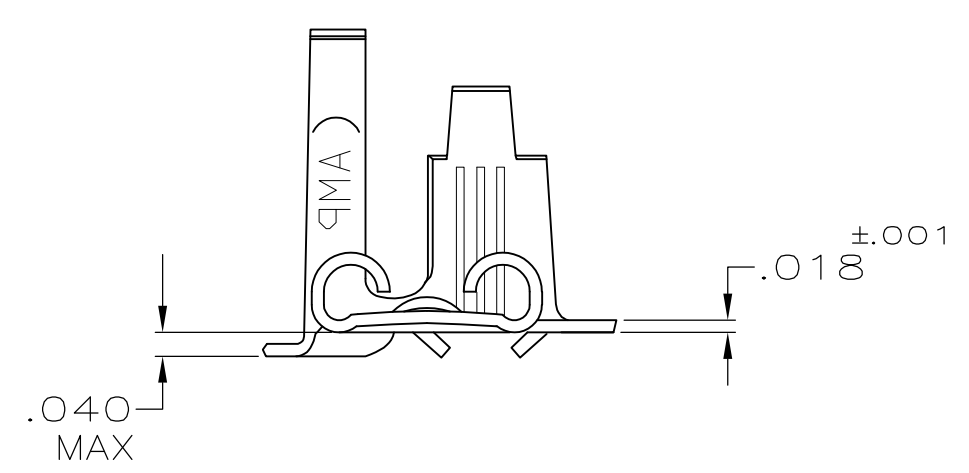
LOC	DIST	REVISIONS			
P	LTR	DESCRIPTION	DATE	DWN	APVD
AF	50	V	REVISED PER ECR-12-013445	18OCT12	KH PD

△ 1 SINGLE OR DOUBLE PILOT HOLE OPTIONAL



FITS .250 SERIES FASTON TAB

SECTION A-A
SCALE 8:1



.110-.210	18-12	.032	41801
INSULATION RANGE	WIRE SIZE	MATING TAB THK ±.001	PART NO.

THIS DRAWING IS A CONTROLLED DOCUMENT.		DWN JR RUTH 7/12/89	STE TE Connectivity	
DIMENSIONS: INCHES		CHK MS FEHER 7/12/89		
TOLERANCES UNLESS OTHERWISE SPECIFIED:		APVD C MEYERS 7/12/89	NAME RECEPTACLE, FASTON, FLAG, .250 SERIES	
0 PLC ± -		PRODUCT SPEC -	SIZE CAGE CODE DRAWING NO RESTRICTED TO	
1 PLC ± -		APPLICATION SPEC -	A3 00779 C-41801	
2 PLC ± -		WEIGHT -	SCALE 4:1 SHEET 1 OF 1 REV V	
3 PLC ± .015		CUSTOMER DRAWING		
4 PLC ± -				
ANGLES ± -				
FINISH -				
MATERIAL BRASS				