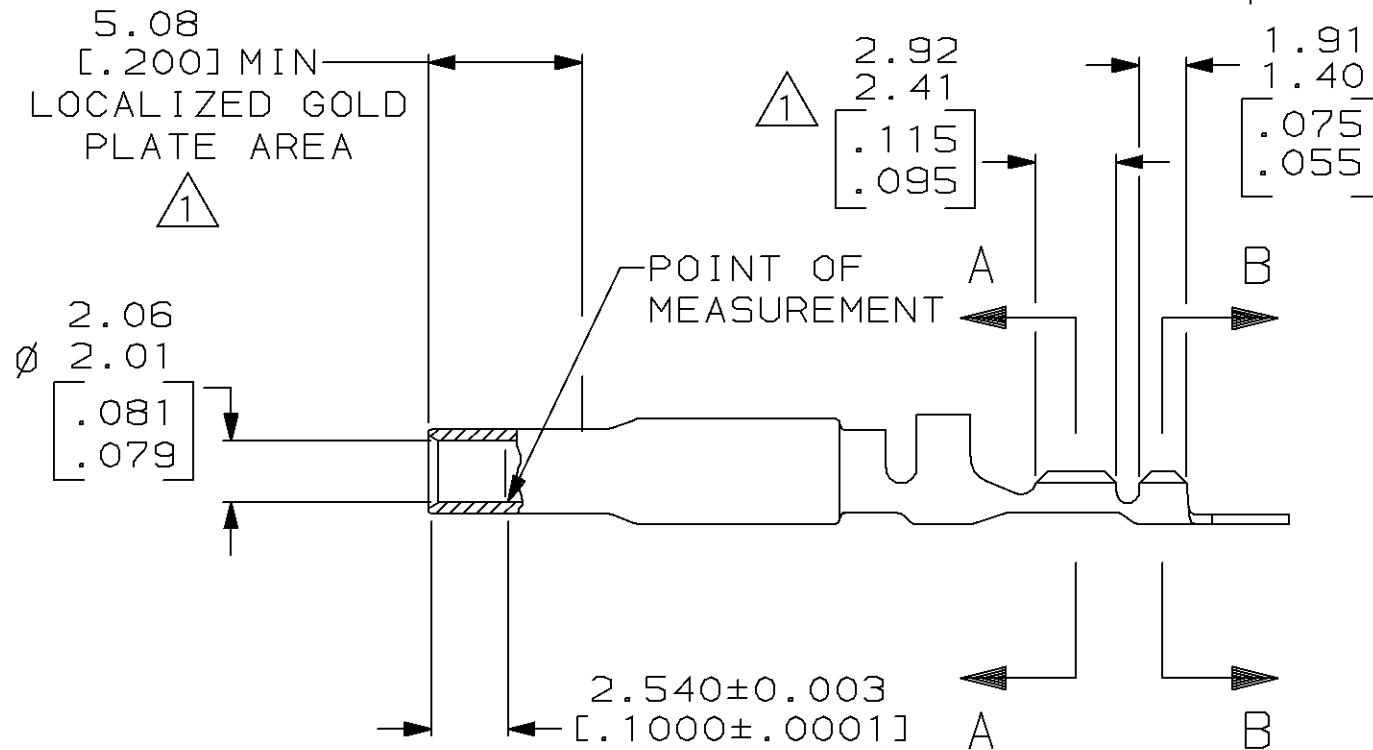
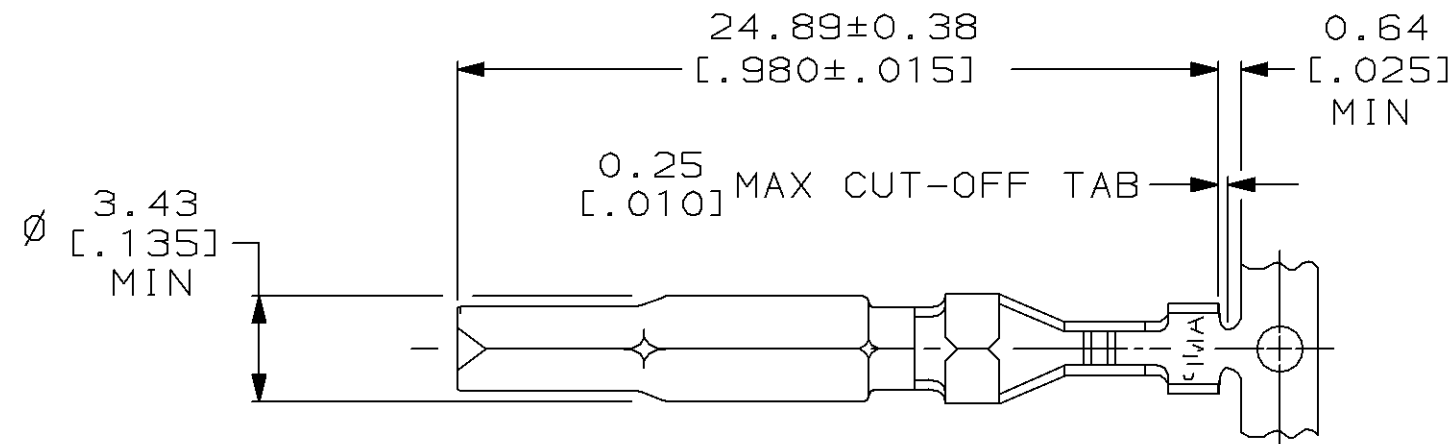
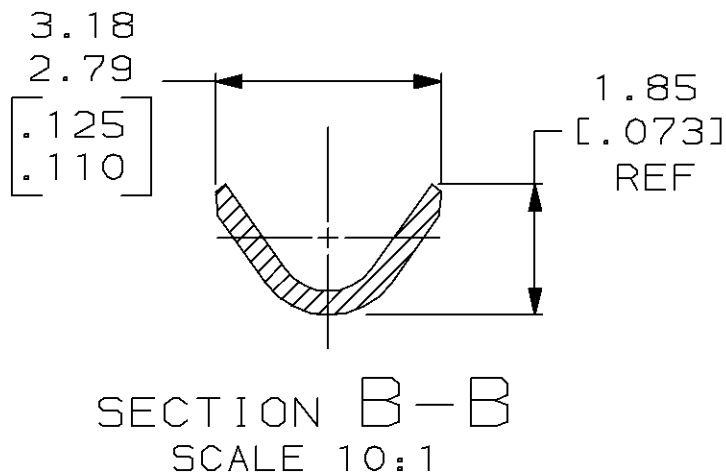
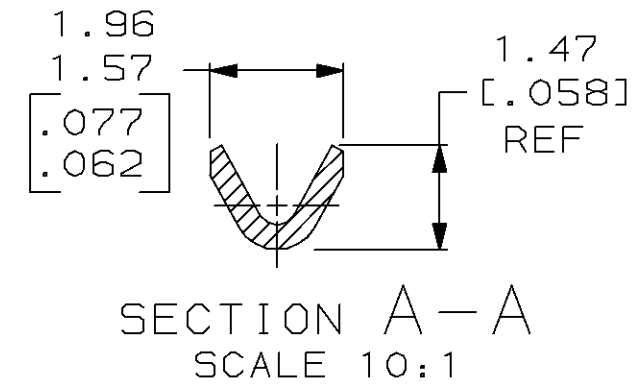


THIS DRAWING IS UNPUBLISHED. RELEASED FOR PUBLICATION, 19  
 © COPYRIGHT 19 BY AMP INCORPORATED. ALL INTERNATIONAL RIGHTS RESERVED.

LOC	DIST	P	F	REVISIONS				
				ZONE	LTR	DESCRIPTION	DATE	APPD
CM	53			C		REV & REDRAWN PER ECN CM-11	1-20-93	K5 RS



- 0.00076 [0.000030] MIN GOLD AT POINT OF MEASUREMENT IN THE LOCALIZED GOLD PLATE AREA AND ON INSIDE OF WIRE BARREL; 0.00127 [0.000050] MIN NICKEL UNDERPLATE ON ENTIRE CONTACT.
- WIRE RANGE: 0.05-0.15mm<sup>2</sup> [30-26] AWG. INSULATION RANGE: 0.81-1.45 [0.032-.057] DIA.
- DIMENSIONS IN BRACKETS ARE IN INCHES.



**METRIC**

GOLD $\Delta$		0.30 [0.012] PH BRZ	770012-6
FINISH		MATERIAL	PART NO
DO NOT SCALE PRINT. UNLESS SPECIFIED DIMENSIONS IN MM [INCHES] TOLERANCES ON: 2 PLC DEC ± 3 PLC DEC ± ANGLES ±		DR 4-1-93 K. SALMON CHK 4-1-93 R. SWING APPD 4-1-93 M. TRULL APPD 4-1-93 M. TRULL PRODUCT SPEC	<b>AMP</b> AMP INCORPORATED Harrisburg, Pa. 17105 NAME SOCKET, UNIVERSAL MATE-N-LOK™ II
MATERIAL SEE TABLE		APPLICATION SPEC	
FINISH SEE TABLE		WEIGHT	SIZE <b>B</b> FSCM NO 00779 DRAWING NO 770012 SCALE 4:1 SHEET 1 OF 1