

6

5

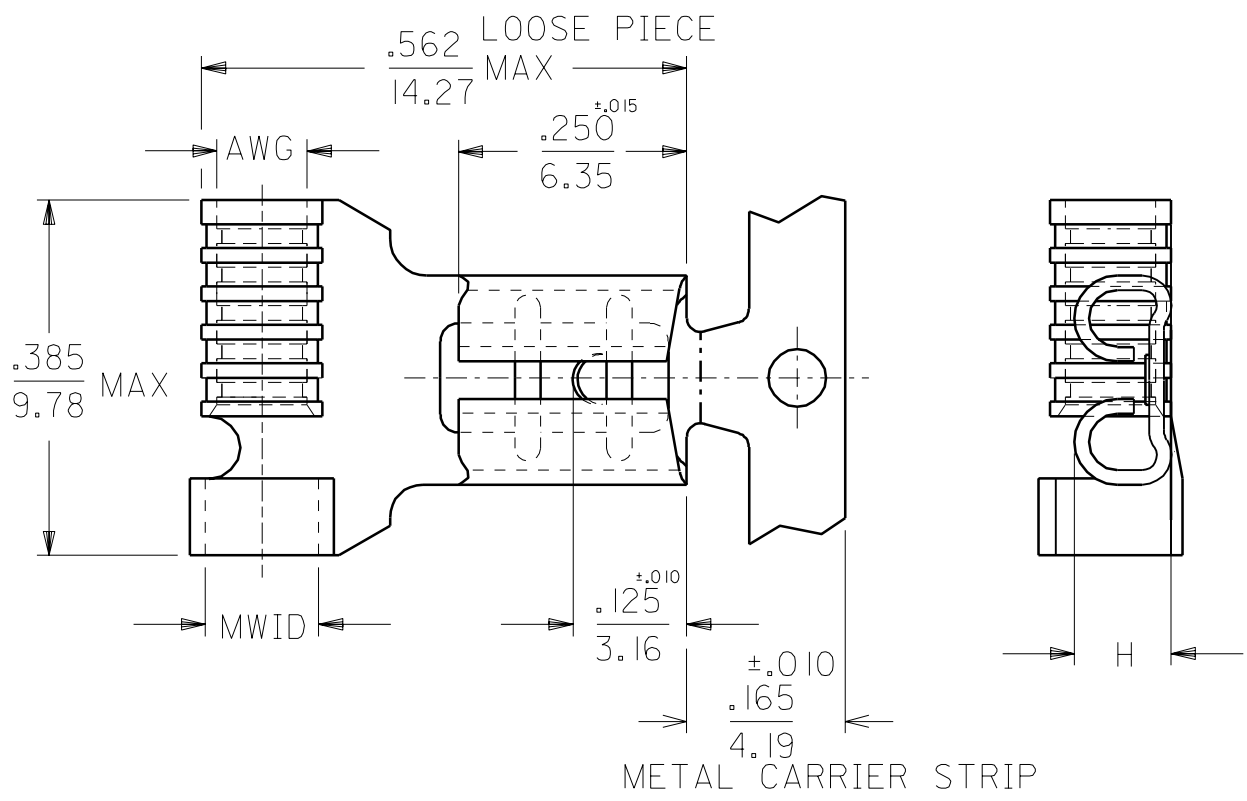
4

3

2

1

DRWG. NO. CUST. DRWG.



METAL STRIP PART NO.	LOOSE PART NO.	DIMENSIONS			
		AWG	MWID	"H" MAX	TAB SIZE
AAZ-4170	AA-4170	22-18	.135/3.43	.121/3.07	.187X.020
BBZ-4171	BB-4171	16-14	.145/3.68	.121/3.07	.187X.020
AAZ-4170-032	AA-4170-032	22-18	.135/3.43	.131/3.33	.187X.032
BBZ-4171-032	BB-4171-032	16-14	.145/3.68	.131/3.33	.187X.032

LTR.	REVISIONS

NOTES:  
 1. ALL DIMENSIONS = INCHES/MM

DIMENSIONS SHOWN (METRIC) INCH	
UNLESS OTHERWISE SPECIFIED TOLERANCES: ANGULAR ± 1/2°	
	INCH      METRIC
3 PLACE	± .005    ± 0.13
2 PLACE	± .01      ± 0.25
1 PLACE	± ---     ± ---
DRAFT WHERE APPLICABLE MUST REMAIN WITHIN DIMENSIONS	
DRWG. BY RM	CHK'D. BY JM
APP'D. BY FP	SCALE 5: 1

**REVISE ONLY ON CAD SYSTEM**

TITLE  
 FLAG NON-INSULATED WITH INSULATION SUPPORT  
 .187X.020 & .032 TAB

<b>molex ETC INC.</b> PINELLAS PARK, FLA. 33781 U.S.A.		SHEET NO.	DATE
			03/06/90
PART NO.		DRWG. NO.	
		<b>CUST. DRWG.</b>	

FILE NAME CDFGS187	THIS DRAWING CONTAINS INFORMATION THAT IS PROPRIETARY TO MOLEX-ETC INC. AND SHOULD NOT BE USED WITHOUT WRITTEN PERMISSION.	DIV.	SIZE A
-----------------------	--	------	-----------

6

5

4

3

2

1