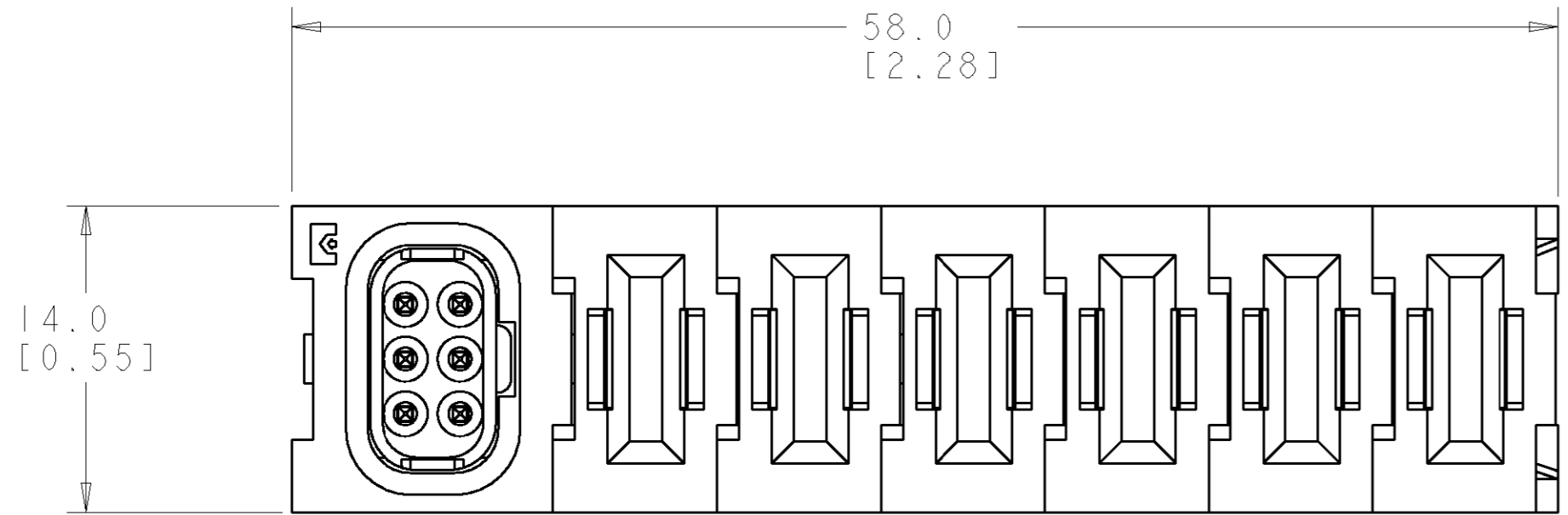


THIS DRAWING IS UNPUBLISHED. RELEASED FOR PUBLICATION 20
 © COPYRIGHT 20 BY TYCO ELECTRONICS CORPORATION. ALL RIGHTS RESERVED.

| LOC | DIST | REVISIONS | | | | | |
|-----|------|-----------|-----|-------------|-----------|-----|------|
| GP | 00 | P | LTR | DESCRIPTION | DATE | DWN | APVD |
| | | A | | NEW RELEASE | 01MAR2007 | RG | PD |



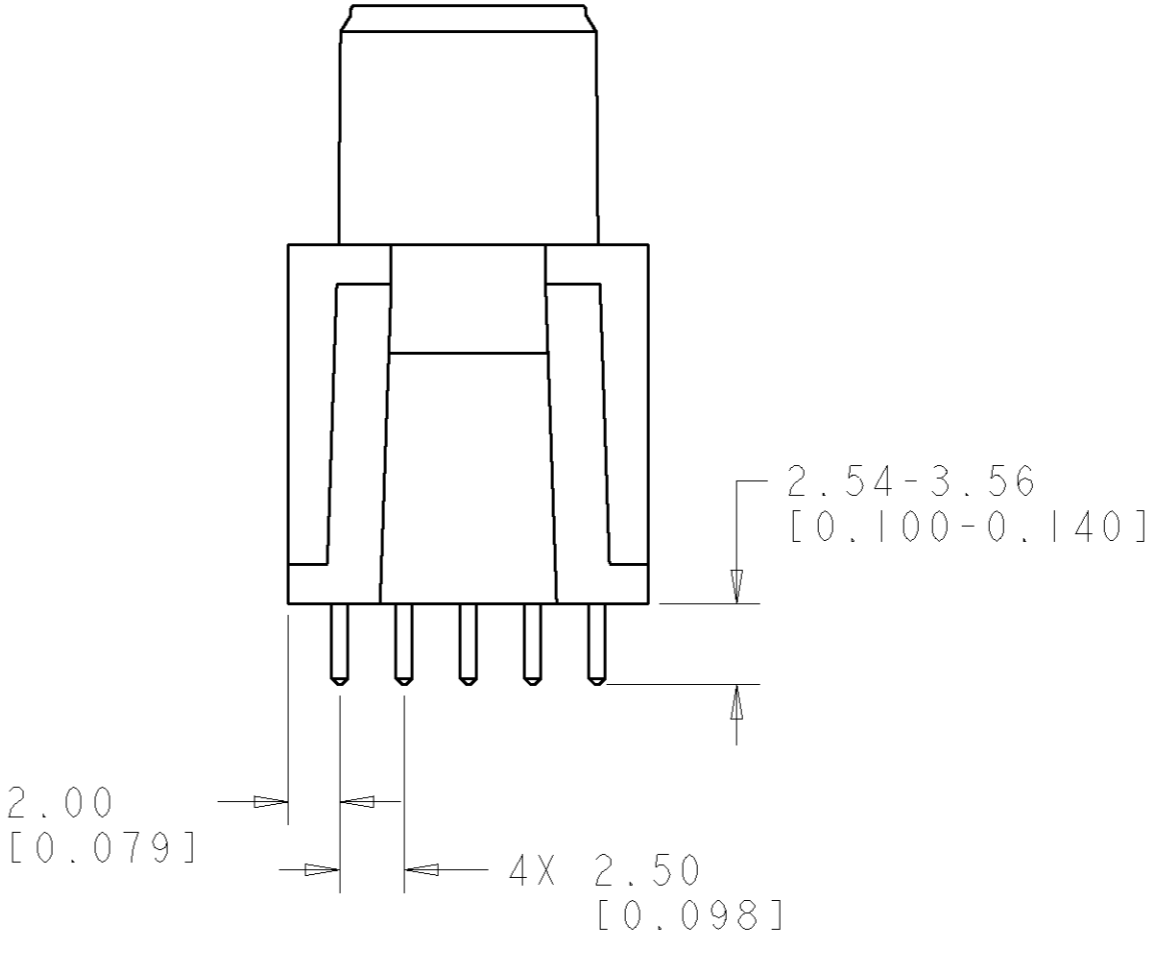
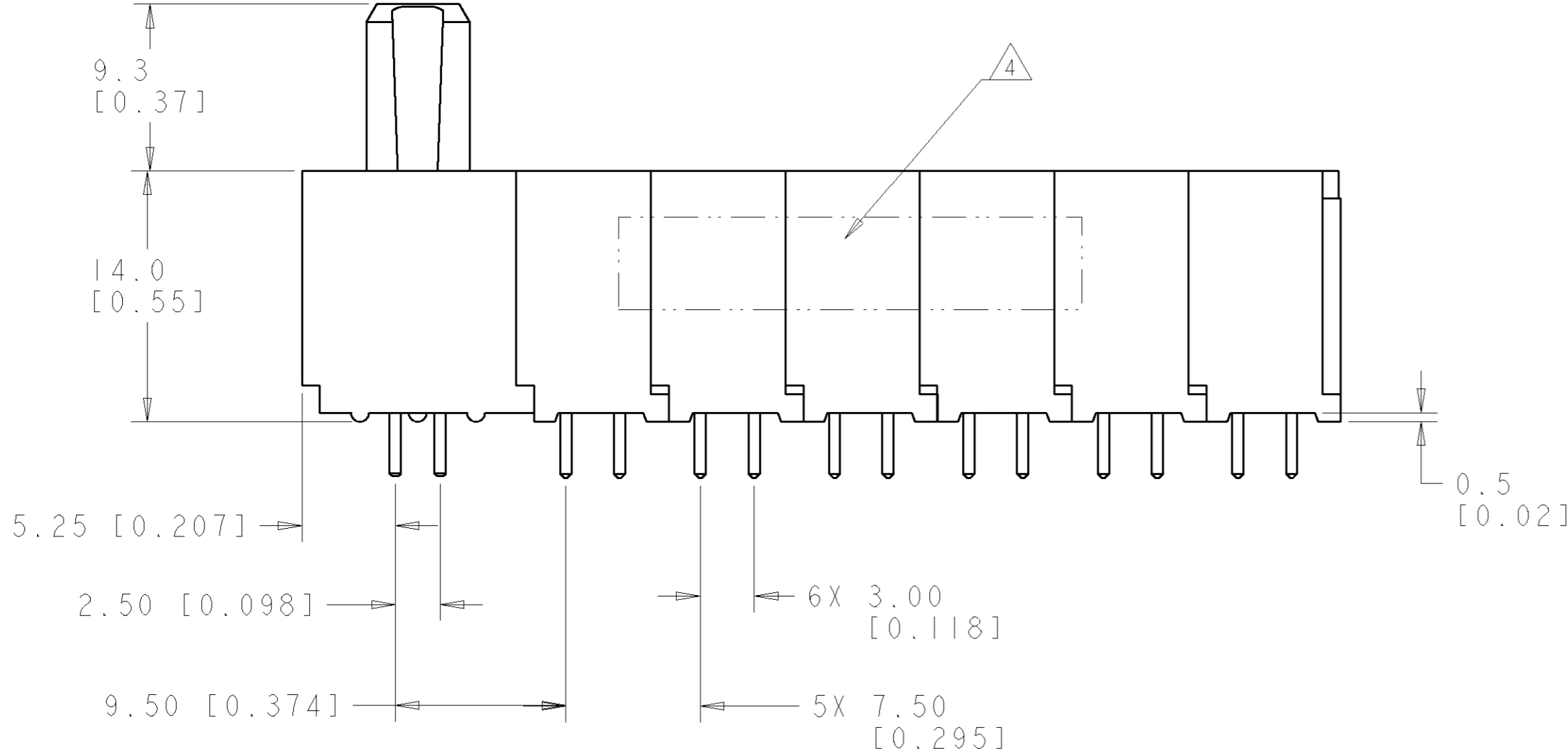
- PART NUMBER CHANGES AND OR DESIGN CHANGES AFFECTING ITEM INTERCHANGEABILITY REQUIRE PRIOR TYCO APPROVAL AND AUTHORIZATION BY REVISION TO THIS DRAWING.
- MATERIAL:
 INSULATORS - THERMOPLASTIC, GLASS REINFORCED, COLOR: BLACK, UL94V-0 FLAMMABILITY RATED.
 POWER CONTACTS - PHOSPHOR BRONZE ALLOY, COPPER ALLOY
 CROWN BANDS - BERYLLIUM COPPER ALLOY
 SIGNAL CONTACTS - BRASS ALLOY
- FINISH:
 CONTACTS - GOLD PLATE .76µm MIN. THK. OVER
 NICKEL 1.27µm MIN. THK,
 SOLDER TAILS TIN 3.05µm MIN. THK. OVER
 NICKEL 1.27µm MIN. THK,

△ ITEMS PROVIDED TO THIS SPECIFICATION TO BE PERMANENTLY IDENTIFIED PER THE FOLLOWING IDENTIFIER LABEL

YEAR WEEK

TYCO PART NO. DATE CODE (e.g. 0106)
 XXXXXXXX-X XXXX

5. MATES WITH TYCO P/N 1926427-1



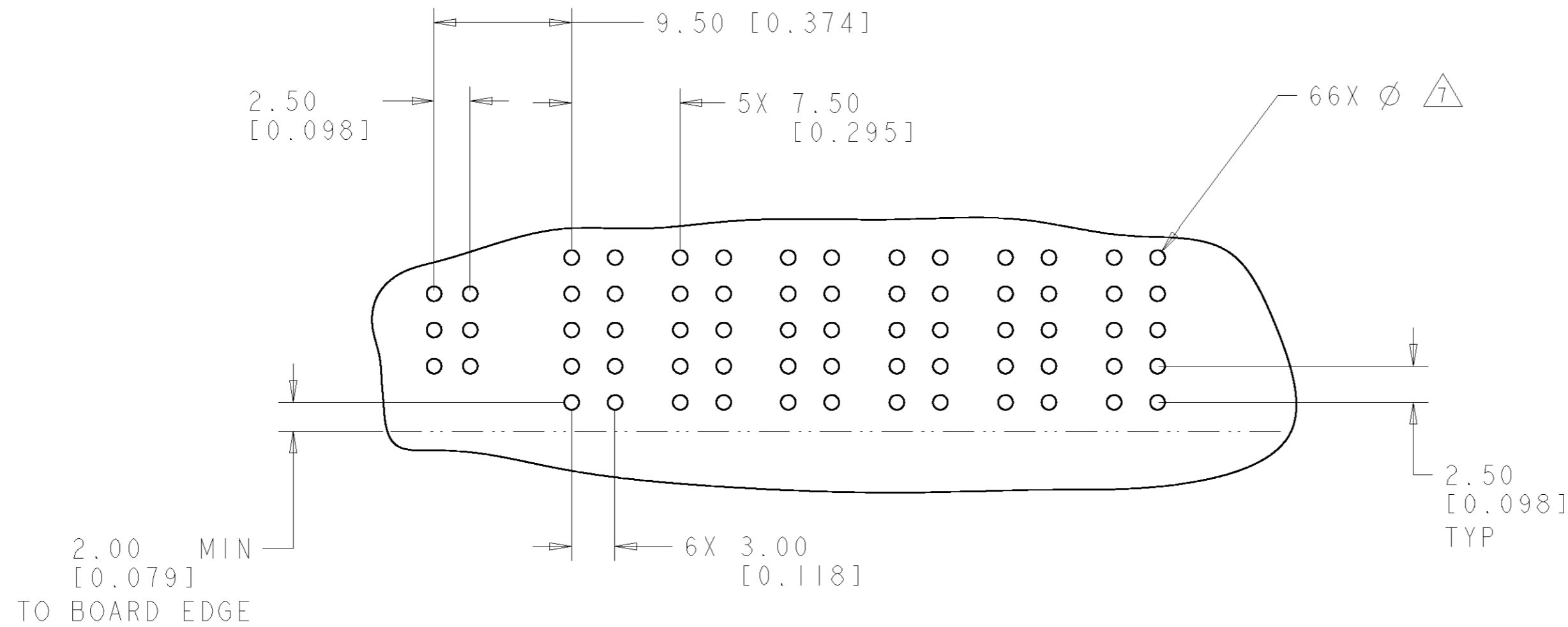
| | |
|-------------|-------------|
| AS SHOWN | 1926428-1 |
| DESCRIPTION | PART NUMBER |

ELCON FLATPAQ

| | | | |
|--|--|---|--|
| <small>THIS DRAWING IS A CONTROLLED DOCUMENT FOR TYCO ELECTRONICS CORPORATION. IT IS SUBJECT TO CHANGE AND THE CONTROLLING ENGINEERING ORGANIZATION SHOULD BE CONTACTED FOR THE LATEST REVISION.</small> | | DWN R. GRZYBOWSKI 01MAR07 CHK P. DAMATO 01MAR07 APVD S. FLICKINGER 01MAR07 | tyco Tyco Electronics Harrisburg, PA 17105-3608 |
| DIMENSIONS: mm [INCHES] | TOLERANCES UNLESS OTHERWISE SPECIFIED: 0 PLC ±.5 [.020] 1 PLC ±.25 [.010] 2 PLC ±.25 [.010] 3 PLC ±. 4 PLC ±. ANGLES ±.5 FINISH | NAME SOCKET CONNECTOR, STRAIGHT, SOLDER TAILS PRODUCT SPEC - APPLICATION SPEC - WEIGHT - | SIZE A2 CAGE CODE 00779 DRAWING NO. 1926428 RESTRICTED TO - |
| MATERIAL - | | CUSTOMER DRAWING | SCALE 4:1 SHEET 1 OF 3 REV A |

THIS DRAWING IS UNPUBLISHED. RELEASED FOR PUBLICATION 20
 © COPYRIGHT 20 BY TYCO ELECTRONICS CORPORATION. ALL RIGHTS RESERVED.

| LOC | DIST | REVISIONS | | | | | |
|-----|------|-----------|-----|-------------|------|-----|------|
| GP | 00 | P | LTR | DESCRIPTION | DATE | DWN | APVD |
| | | - | | SEE SHEET 1 | - | - | - |



PRINTED CIRCUIT LAYOUT
SCALE 3:1

| CONNECTOR | CATALOG MODULE # | QTY | SIZE NO. | CONTACT QTY | MATING PIN | MAX. CURRENT (PER CONTACT) | CONTACT SPACING | VOLTAGE RATING |
|-----------|------------------|-----|----------|-------------|------------------------------|----------------------------|-----------------|----------------|
| SOCKET | FP100 | 6 | 8 | 12 | 1.25 X 7.00 [.049 X .276] | 35 amps | 7.50 [.2953] | 250 |
| | FP313 | 1 | 22 | 6 | .64 [.025] SQ. | 3 amps | 2.50 [.0984] | 125 VOLTS |

THIS DRAWING IS A CONTROLLED DOCUMENT FOR TYCO ELECTRONICS CORPORATION. IT IS SUBJECT TO CHANGE AND THE CONTROLLING ENGINEERING ORGANIZATION SHOULD BE CONTACTED FOR THE LATEST REVISION.

DWN: R. GRZYBOWSKI 01MAR07
 CHK: P. DAMATO 01MAR07
 APVD: S. FLICKINGER 01MAR07

tyco Tyco Electronics
 Harrisburg, PA 17105-3608

NAME: SOCKET CONNECTOR, STRAIGHT, SOLDER TAILS

PRODUCT SPEC: -
 APPLICATION SPEC: -
 WEIGHT: -

MATERIAL: -

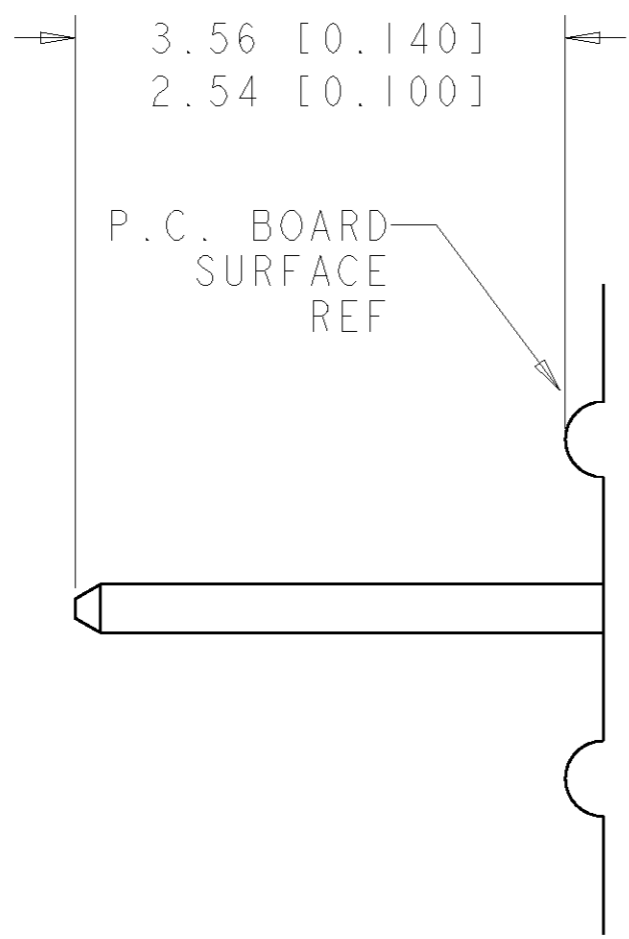
SIZE: A200779 CAGE CODE: 1926428 DRAWING NO: 1926428 RESTRICTED TO: -

CUSTOMER DRAWING SCALE: 4:1 SHEET 2 OF 3 REV A

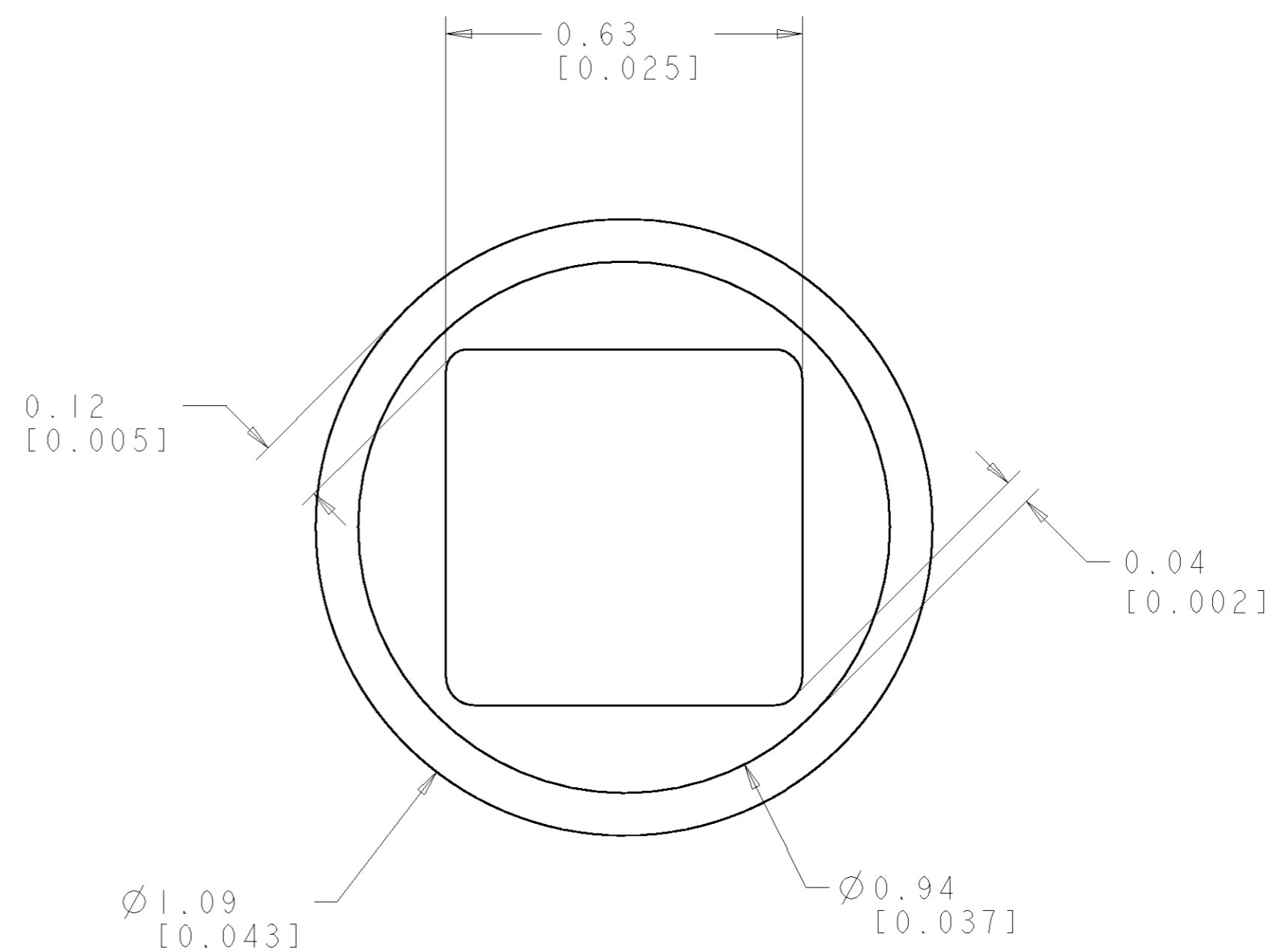
ELCON FLATPAQ

THIS DRAWING IS UNPUBLISHED. RELEASED FOR PUBLICATION 20
 © COPYRIGHT 20 BY TYCO ELECTRONICS CORPORATION. ALL RIGHTS RESERVED.

| LOC | DIST | REVISIONS | | | |
|-----|------|-------------|-------------|-----|------|
| P | LTR | DESCRIPTION | DATE | DWN | APVD |
| GP | 00 | - | SEE SHEET 1 | - | - |
| | | | | | |
| | | | | | |



6. SOLDER TAIL DETAIL
SCALE 10 : 1



7. SOLDER TERMINATION AREA
SCALE 40:1
RECOMMENDED PRINTED CIRCUIT HOLE
SOLDER HOLE
FINISHED HOLE: Ø1.02 [0.040] ±.08 [0.003]
DRILLED HOLE: Ø1.15 [0.0453] ±.013 [0.0005]
COPPER PLATE: .025 [0.0010] MIN
TIN PLATE: .008 [0.0003] MIN. (PER SURFACE)

ELCON FLATPAQ

| | | | |
|---|--|--|---|
| <small>THIS DRAWING IS A CONTROLLED DOCUMENT FOR TYCO ELECTRONICS CORPORATION IT IS SUBJECT TO CHANGE AND THE CONTROLLING ENGINEERING ORGANIZATION SHOULD BE CONTACTED FOR THE LATEST REVISION.</small> | | DWN R. GRZYBOWSKI 01MAR07 CHK P. DAMATO 01MAR07 APVD S. FLICKINGER 01MAR07 | tyco Tyco Electronics Harrisburg, PA 17105-3608 |
| DIMENSIONS: mm [INCHES] | TOLERANCES UNLESS OTHERWISE SPECIFIED: 0 PLC ±.5 [0.020] 1 PLC ±.5 [0.020] 2 PLC ±.25 [0.010] 3 PLC ±.5 [0.020] 4 PLC ±.5 [0.020] ANGLES ±.5 | NAME SOCKET CONNECTOR, STRAIGHT, SOLDER TAILS | SIZE A2 CAGE CODE 00779 DRAWING NO. C-1926428 |
| MATERIAL | | RESTRICTED TO | |
| | | SCALE 4:1 | SHEET 3 OF 3 REV A |