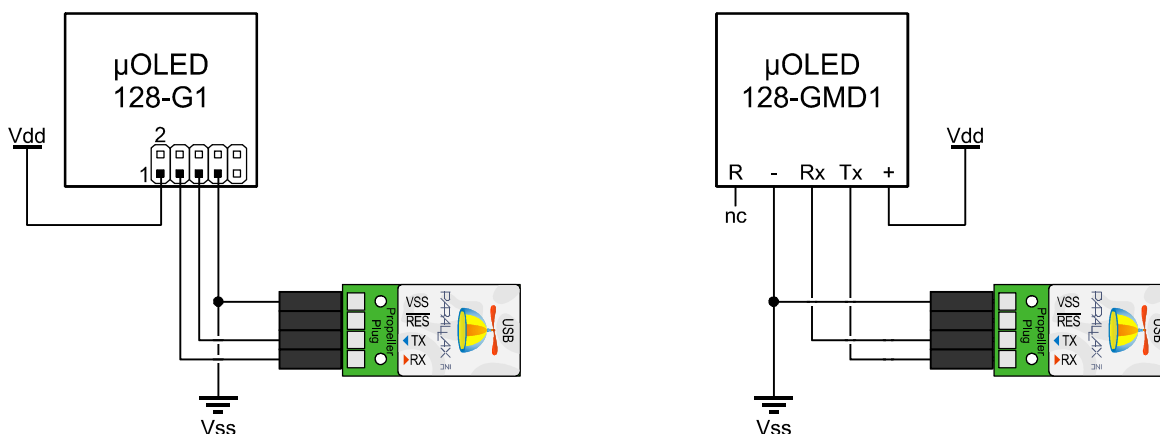


µOLED 128 USB Connection Using Prop Plug

General Description

To download images to the micro-SD Card on the µOLED 128 displays using the Graphics Composer Software you have two options. One is to download the images directly to the micro-SD Card using a Card Reader on your PC and then plug the card into the display. The other option, which we will cover here, is a direct connection using a USB to Serial interface. The Prop Plug is well suited to this task, providing the proper connections and signal levels required by the display. Please see the connection diagram below which shows the electrical connections required. Please note that whether you use this connection or go directly to the micro-SD Card, you must use the Graphics Composer software to download the images to the card. Dragging and dropping images and movies from within Windows will not work.



Connection Notes

The µOLED should have its own power supply. The Prop Plug must have a common ground with the display (and its power supply). Other than that only the RX and TX pins are connected. Both the 128-G1 and the 128-GMD1 connections are displayed.

Software Notes

The Graphics Composer Software can be obtained from the download section of the 4D Systems Website and is not supported by Parallax Inc. Be sure the COM Port assigned to the Prop Plug is selected under the Device Menu of the Graphics Composer software so that it can communicate with the display. If communication fails after having been successful try powering off the display and then power it back on and try again.

<http://www.4dsystems.com.au/>