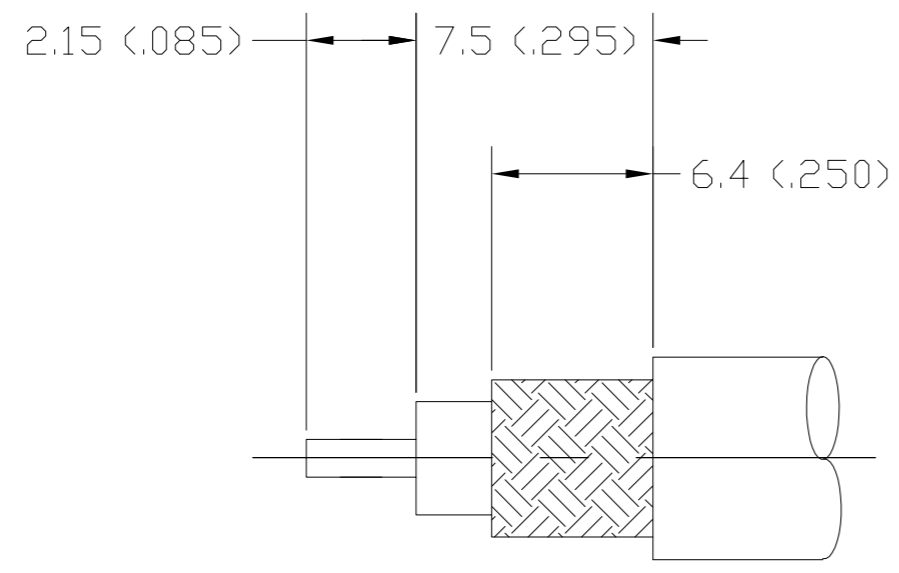
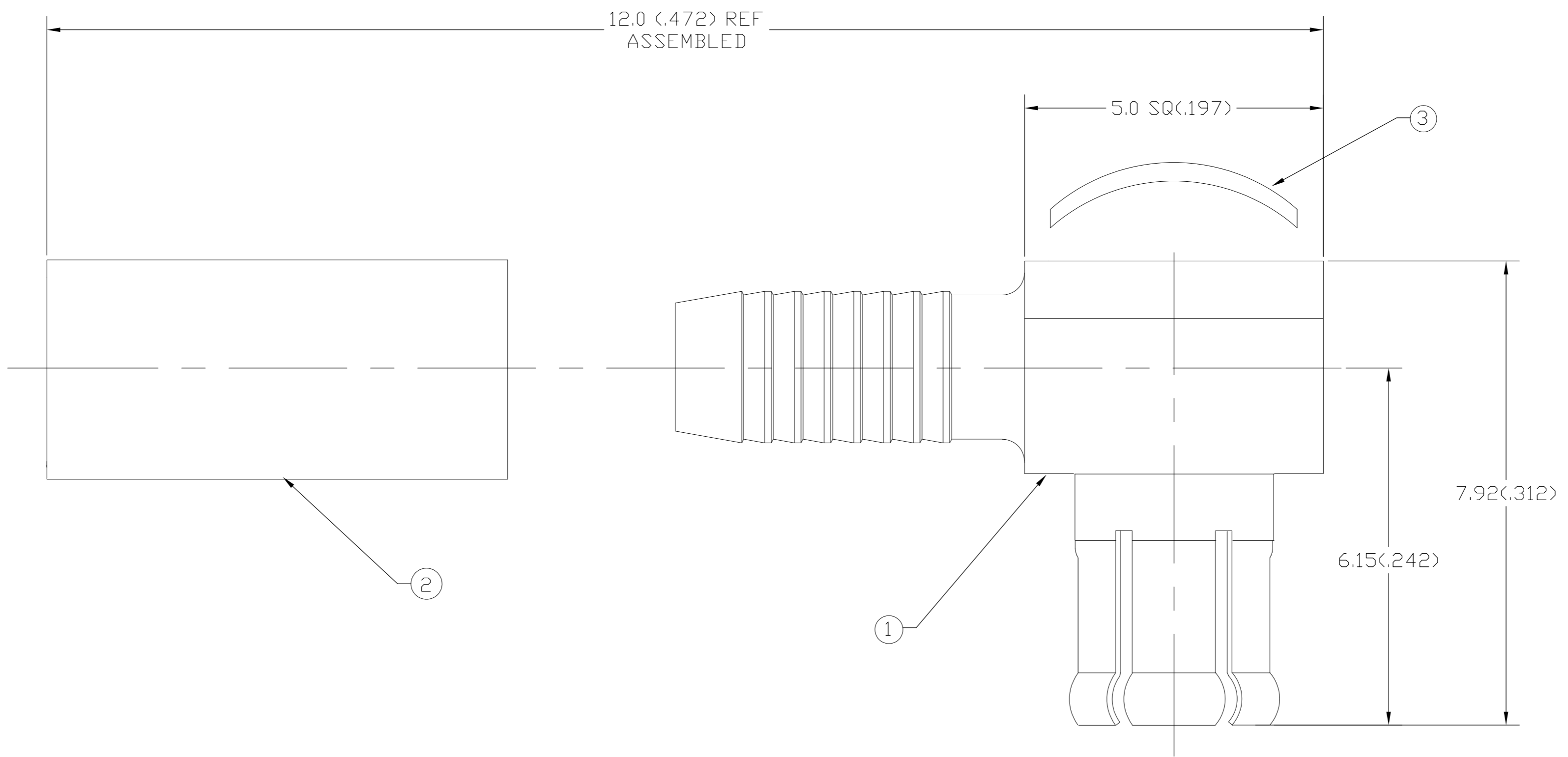


THIS DRAWING IS UNPUBLISHED. RELEASED FOR PUBLICATION
 © COPYRIGHT BY TYCO ELECTRONICS CORPORATION. ALL RIGHTS RESERVED.

LOC	DIST	REVISIONS					
AJ	00	P	LTR	DESCRIPTION	DATE	DWN	APVD
		E		REV PER ECO 08-010862	12MAR2008	DW	JL



CABLE TRIM DIMENSIONS

RD316	GOLD	3-1403081-6	3-413889-2	1408228-4	1363301-2
RD316	NICKEL	3-1403081-3	2-413889-7	1408228-3	1363301-1
CABLE SIZE	HOUSING PLATE	CAP ③ QTY=1	FERRULE ② QTY=1	HSG ASSY ① QTY=1	PART NUMBER

THIS DRAWING IS A CONTROLLED DOCUMENT.		DWN	12MAR01	Tyco Electronics Corporation Harrisburg, PA 17105-3608
DIMENSIONS: mm		CHK	12MAR01	
TOLERANCES UNLESS OTHERWISE SPECIFIED:		APVD	12MAR01	
0 PLC ± - 1 PLC ± - 2 PLC ± .13 3 PLC ± - 4 PLC ± - ANGLES ± 1°		PRODUCT SPEC		
MATERIAL		APPLICATION SPEC		NAME
FINISH		408-8328		MCX RIGHT ANGLE CABLE PLUG CRIMP/SOLDER
		WEIGHT	-	SIZE
		CUSTOMER DRAWING		CAGE CODE
				DRAWING NO
				RESTRICTED TO
				A2 00779 C=1363301
				SCALE
				20:1
				SHEET
				1 OF 1
				REV
				E

1363301