

THE INFORMATION CONTAINED HEREIN IS CONSIDERED "PROPRIETARY" TO BEL FUSE INC. AND SHALL NOT BE COPIED, REPRODUCED OR DISCLOSED WITHOUT THE WRITTEN APPROVAL OF BEL FUSE INC.

RoHS
2002/95/EC



ELECTRICAL CHARACTERISTICS @ 25°C

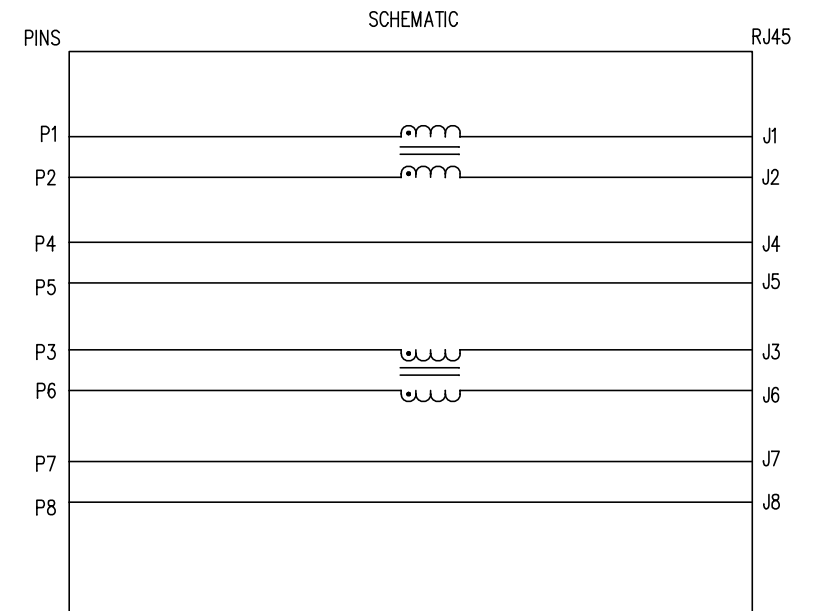
OPERATING TEMPERATURE RANGE: : -40°C TO +85°C

1.0 INDUCTANCE:(P6-J6) : (P1-J1) : 65 uH TYP @.01V, 10KHz

2.0 DC RESISTANCE: P6-J6 : .5 OHM MAX
P3-J3 : .5 OHM MAX
P2-J2 : .5 OHM MAX
P1-J1 : .5 OHM MAX

3.0 COMMON MODE: : CMA (-dB)

FREQUENCY (MHz)	TYPICAL	MIN
1	8	5
5	17	15
20	23	15
70	25	20
200	22	17
500	11	6



NOTES

1.0 PINS WITHOUT ELECTRICAL CONNECTION ARE OMITTED.

ORIGINATED BY Bain Liu	DATE 09-01-09	TITLE MagJack® CMC TAB DOWN,SHIELDED	PART NO. / DRAWING NO. SI-60158-F	STANDARD DIM. TOL. IN INCH	[] METRIC DIM. AS REFERENCE		
DRAWN BY Bain Liu	DATE 09-01-09		FILE NAME SI-60158-F.DWG	.X .XX .XXX	UNIT : INCH [mm] SCALE : N/A 	REV. : A0 SIZE : A4 PAGE : 2	
				±0.005			

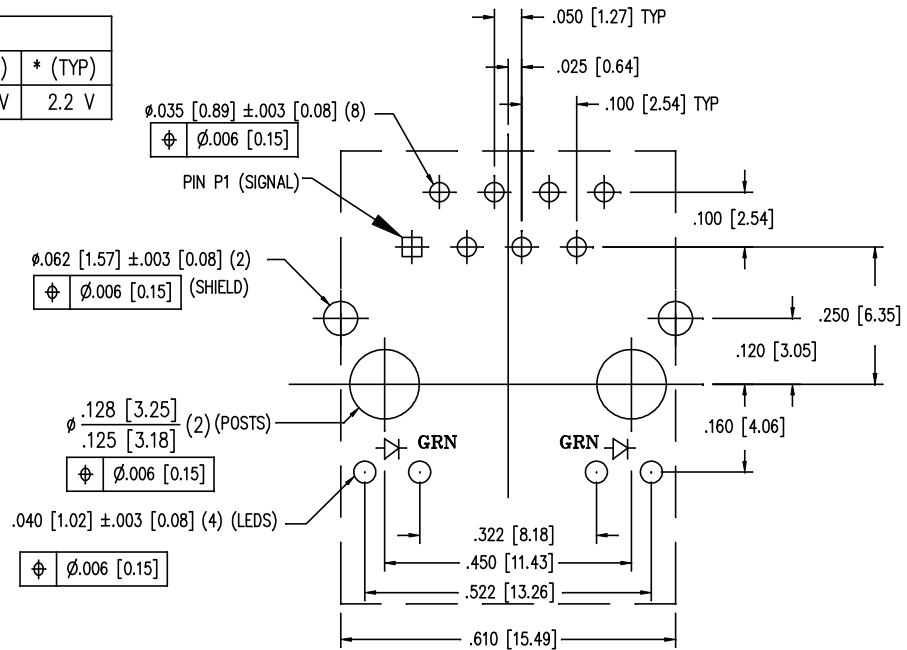
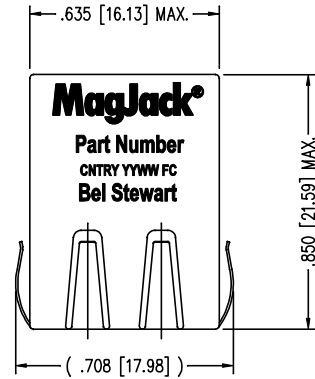
THE INFORMATION CONTAINED HEREIN IS CONSIDERED "PROPRIETARY" TO BEL FUSE INC. AND SHALL NOT BE COPIED, REPRODUCED OR DISCLOSED WITHOUT THE WRITTEN APPROVAL OF BEL FUSE INC.

RoHS
2002/95/EC



LED SPECIFICATION			
STANDARD LED	WAVELENGTH	Forward V (MAX)	* (TYP)
GREEN	565 nm	2.5 V	2.2 V

*WITH A FORWARD CURRENT OF 20 mA (TYP)

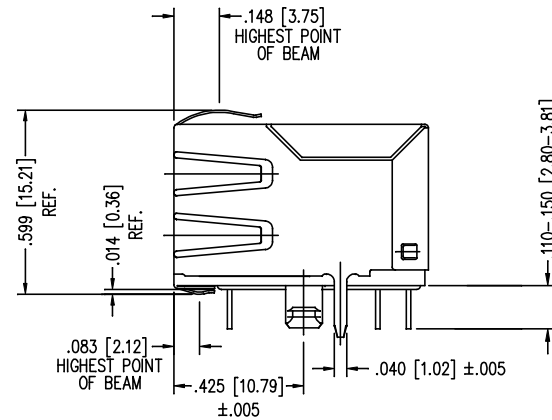
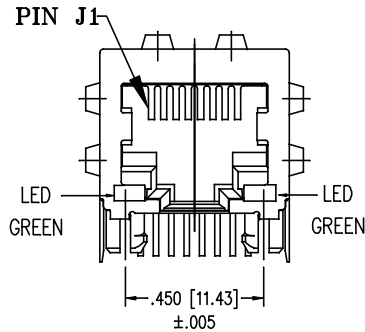


P.C.B. RECOMMENDED HOLE LAYOUT
SEEN FROM COMPONENT SIDE

ALL CENTERLINE DIMENSIONS ARE BASIC.

NOTES:

- CONNECTOR MATERIALS:
HOUSING: THERMOPLASTIC UL94 V-0
CONTACT/SHIELD: COPPER ALLOY
SHIELD PLATING: NICKEL OR TIN
CONTACT PLATING: SELECTIVE GOLD,
50 MICRO-INCHES MIN. IN CONTACT AREA.
- PIN NOT ELECTRICALLY CONNECTED MAYBE OMITTED.
SEE ELECTRICAL DRAWING FOR OMITTED PINS.
- TOLERANCES COMPLY WITH F.C.C. DIMENSION REQUIREMENTS.
- ALL TOLERANCES NOT OTHERWISE SPECIFIED TO BE ±0.005 [0.13]
- WAVE SOLDER COMPATIBLE - PREHEAT 125°C/90SECS.



ORIGINATED BY	DATE	TITLE
Bain Liu	09-01-09	MagJack[®] CMC TAB DOWN, SHIELDED
DRAWN BY	DATE	
Bain Liu	09-01-09	

PART NO. / DRAWING NO.	STANDARD DIM.	[] METRIC DIM. AS REFERENCE
SI-60158-F	TOL. IN INCH	UNIT : INCH [mm]
FILE NAME	.X	REV. : A0
SI-60158-F.DWG	.XX	SCALE : N/A
	.XXX	±0.005
		PAGE : 3

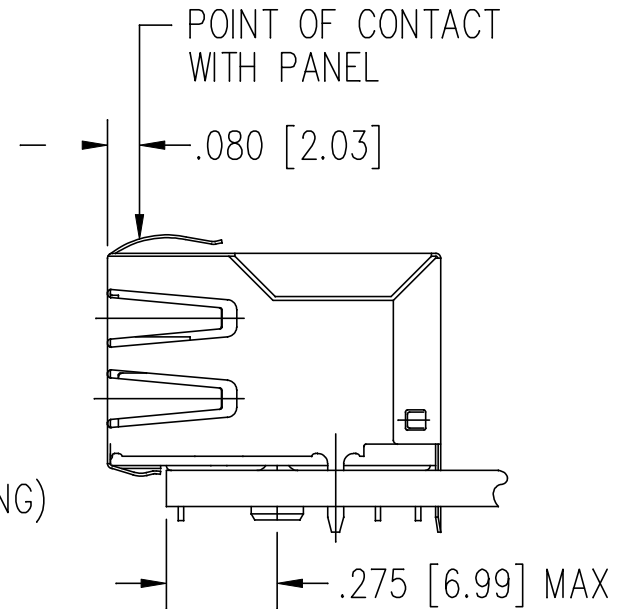
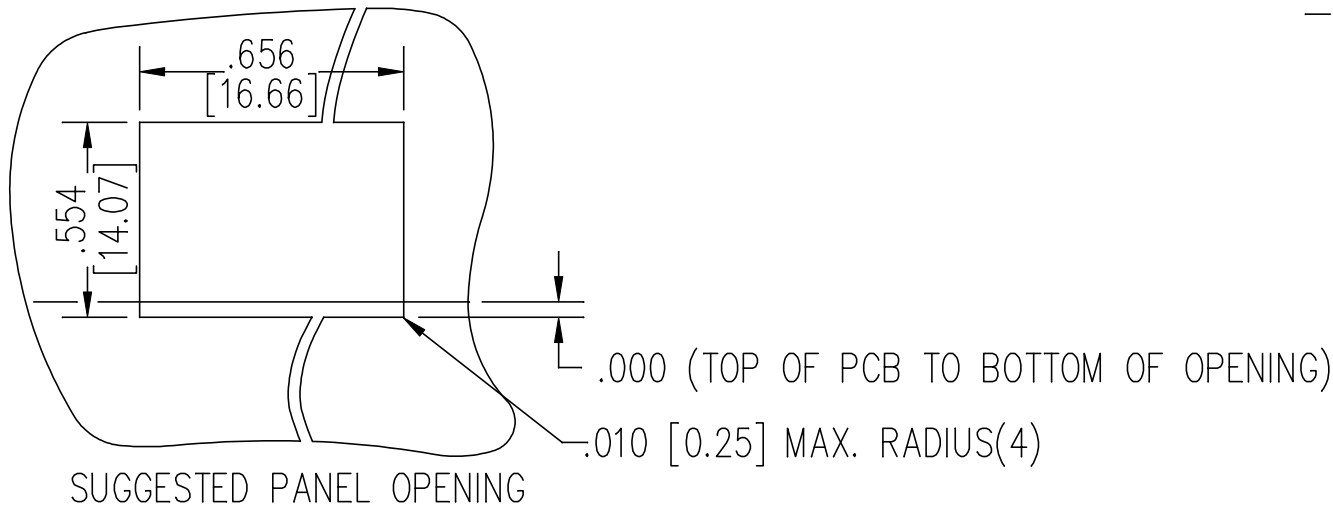
STANDARD DIM.	[] METRIC DIM. AS REFERENCE
TOL. IN INCH	UNIT : INCH [mm]
.X	REV. : A0
.XX	SCALE : N/A
.XXX	±0.005
	PAGE : 3

STANDARD DIM.	[] METRIC DIM. AS REFERENCE
TOL. IN INCH	UNIT : INCH [mm]
.X	REV. : A0
.XX	SCALE : N/A
.XXX	±0.005
	PAGE : 3



THE INFORMATION CONTAINED HEREIN IS CONSIDERED "PROPRIETARY" TO BEL FUSE INC. AND SHALL NOT BE COPIED, REPRODUCED OR DISCLOSED WITHOUT THE WRITTEN APPROVAL OF BEL FUSE INC.

RoHS
2002/95/EC



1. THE SUGGESTED PANEL OPENING IS INTENDED TO GIVE THE USER THE ABILITY TO HAVE REASONABLE JACK / PANEL CLEARANCES YET MAINTAIN RELIABLE GROUNDING CAPABILITY.
2. ALL TOLERANCES NOT OTHERWISE SPECIFIED TO BE ± 0.005 [0.13]

ORIGINATED BY Bain Liu	DATE 09-01-09	TITLE MagJack® CMC TAB DOWN, SHIELDED	PART NO. / DRAWING NO. SI-60158-F	STANDARD DIM. TOL. IN INCH	[] METRIC DIM. AS REFERENCE	bel COMPONENTS FOR A CONNECTED PLANET
DRAWN BY Bain Liu	DATE 09-01-09	FILE NAME SI-60158-F.DWG	.X	UNIT : INCH [mm]	REV. : A0	
			.XX	SCALE : N/A	SIZE : A4	
			.XXX	± 0.005	PAGE : 4	