

THIS DRAWING IS UNPUBLISHED.

RELEASED FOR PUBLICATION

LOC FT DIST 0

REVISIONS

© COPYRIGHT - By - ALL RIGHTS RESERVED.

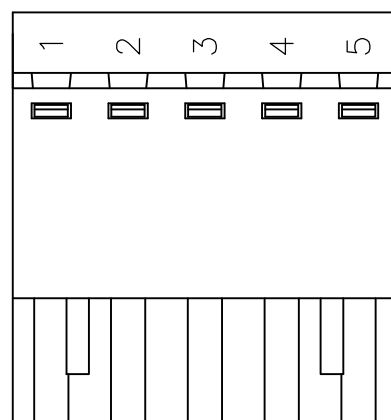
P	LTR	DESCRIPTION	DATE	DWN	APVD
	A2	REVISED PER ECO-11-005027	11MAR11	RK	HMR

MATERIALS:
 HOUSING: PA66, UL94V-0, COLOR: GREEN.
 CONTACT: PHOS BRONZE, TIN PLATED.
 WIRE GUARD: STEEL, ZINC CHROMATE.
 CAGE CLAMP: STEEL, ZINC CHROMATE.
 SCREW: STEEL, ZINC PLATED.

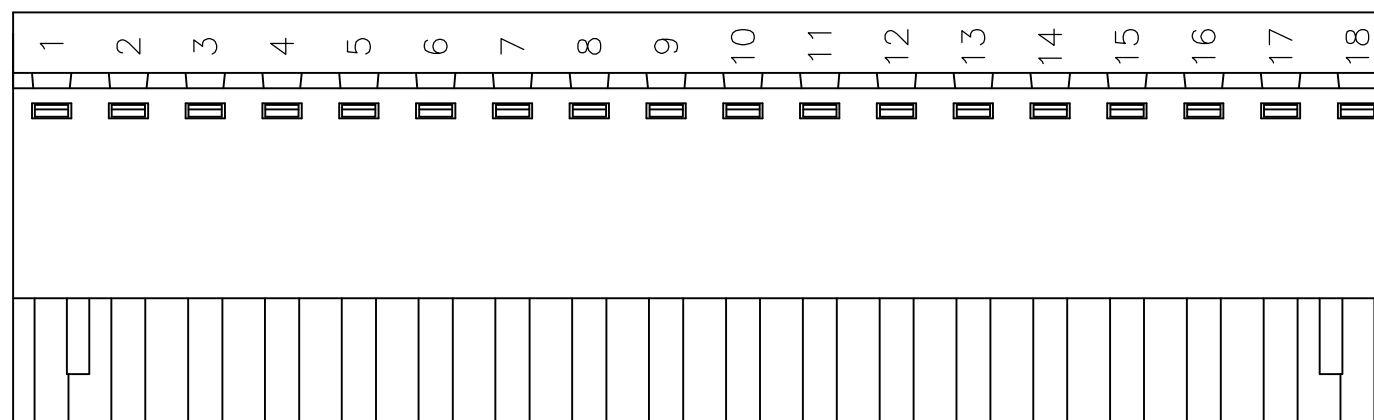
ELECTRICAL:
 VOLTAGE RATING: 300V.
 CURRENT RATING: 16A.
 INSULATION RESISTANCE 2000Mohm/DC500V.
 WITHSTANDING VOLTAGE AC2000V MIN
 WIRE RANGE: 14-24 AWG

MECHANICAL:
 SCREW TORQUE: 7.0 IN-LB
 WIRE STRIP LENGTH: 10mm

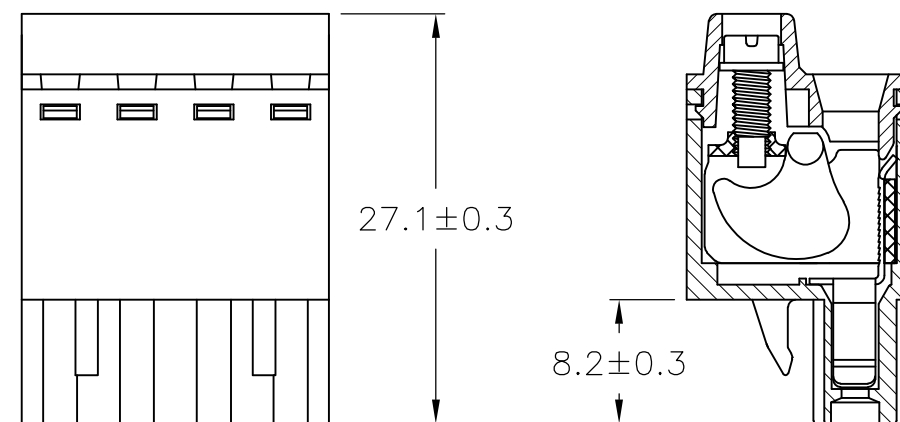
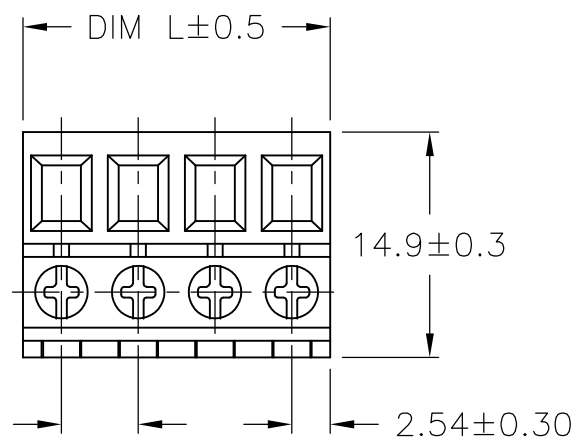
ENVIRONMENTAL:
 WORKING TEMP.: -40°C TO +105°C.



2-1986484-5



2-1986484-6



1	121.92±0.5	24	2-1986484-4
1	116.84±0.5	23	2-1986484-3
1	111.76±0.5	22	2-1986484-2
1	106.68±0.5	21	2-1986484-1
1	101.60±0.5	20	2-1986484-0
1	96.52±0.5	19	1-1986484-9
1	91.44±0.5	18	2-1986484-6
1	91.44±0.5	18	1-1986484-8
1	86.36±0.5	17	1-1986484-7
1	81.28±0.5	16	1-1986484-6
1	76.20±0.5	15	1-1986484-5
1	71.12±0.5	14	1-1986484-4
1	66.04±0.5	13	1-1986484-3
	60.96±0.5	12	1-1986484-2
	55.88±0.5	11	1-1986484-1
	50.80±0.5	10	1-1986484-0
	45.72±0.5	9	1986484-9
	40.64±0.5	8	1986484-8
	35.56±0.5	7	1986484-7
	30.48±0.5	6	1986484-6
2	25.40±0.5	5	2-1986484-5
	25.40±0.5	5	1986484-5
	20.32±0.5	4	1986484-4
	15.24±0.5	3	1986484-3
	10.16±0.5	2	1986484-2
	DIM L	NO OF POS	PART NUMBER

- 1 PRELIMINARY PART NUMBER
- 2 PART MARKED WITH BLACK PERMANENT MARKING

SEE DETAIL 2

SEE DETAIL 2

THIS DRAWING IS A CONTROLLED DOCUMENT.

DWN S SCHLEGEL 17NOV2008

CHK C RICHARD 11/17/08

APVD C RICHARD 11/17/08

PRODUCT SPEC

APPLICATION SPEC

WEIGHT -

CUSTOMER DRAWING

STE TE Connectivity

NAME: TERMINAL BLOCK, PLUG, 5.08mm PITCH

SIZE	CAGE CODE	DRAWING NO	RESTRICTED TO
A3	00779	C-1986484	-

DIMENSIONS:	TOLERANCES UNLESS OTHERWISE SPECIFIED:
mm	
0 PLC	± -
1 PLC	± 0.2
2 PLC	± 0.10
3 PLC	± -
4 PLC	± -
ANGLES	± 1°
MATERIAL	FINISH
-	-

SCALE	SHEET	REV
NTS	1 OF 1	A2