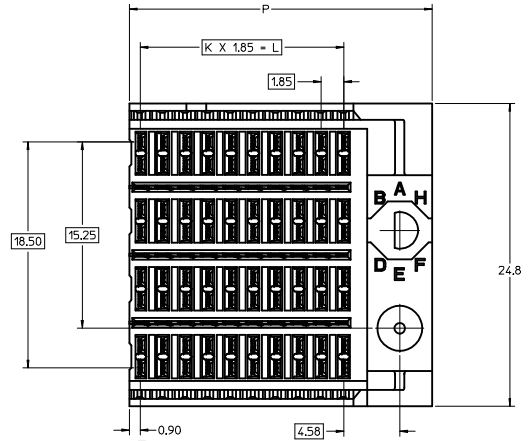
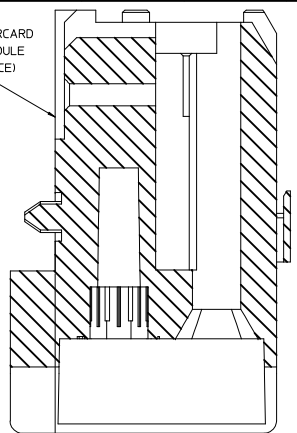
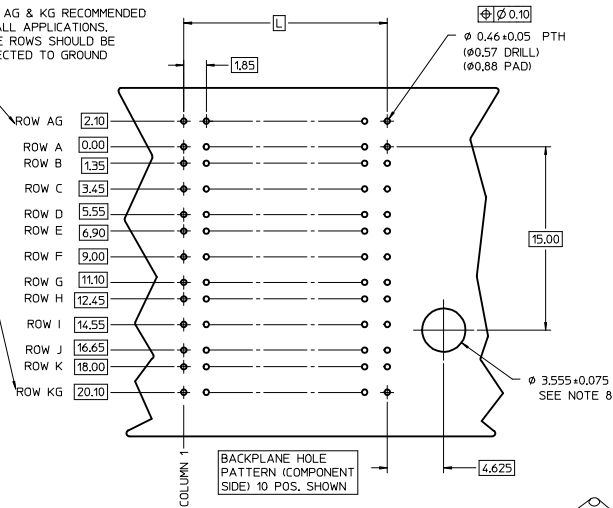


DAUGHTERCARD
GUIDE MODULE
(REFERENCE)

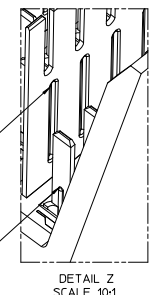


ROWS AG & KG RECOMMENDED
FOR ALL APPLICATIONS.
THESE ROWS SHOULD BE
CONNECTED TO GROUND

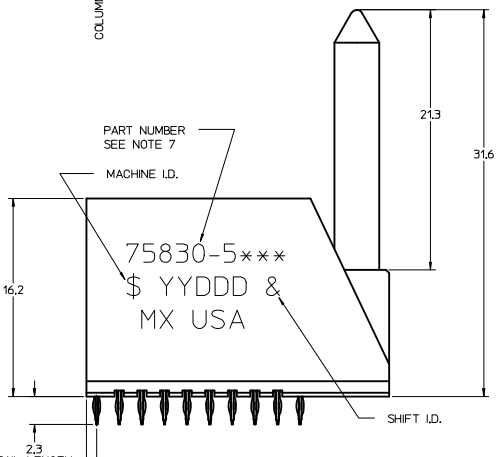
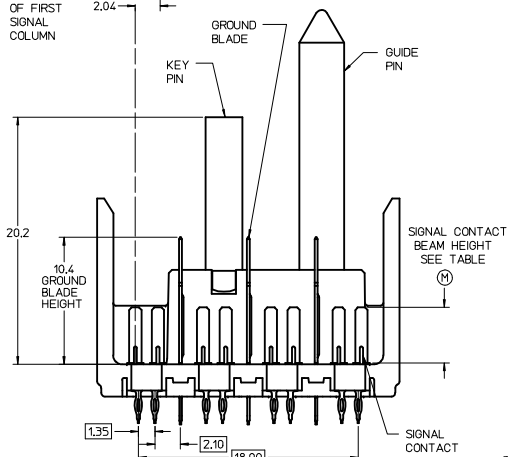


MATING SIDE
OF SHIELD
(OPPOSITE)
RIB SIDE
OF CONTACT

MATING SIDE
OF SIGNAL
(RIB SIDE
OF CONTACT)

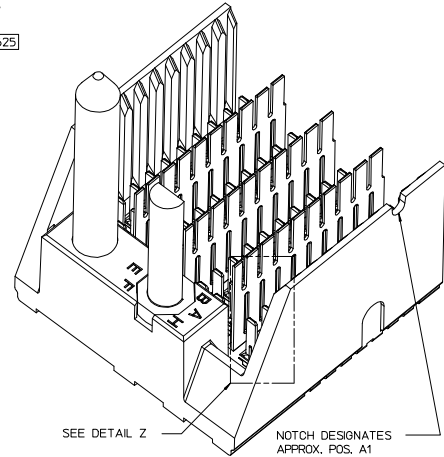


FROM TOP
OF DC PCB TO
CENTERLINE
OF FIRST
SIGNAL
COLUMN



LEAD-FREE
PLATING

| CONFIGURATION | | |
|---------------|----|-------|
| ASSEMBLY NO. | K | P |
| 75830-51** | 9 | 16.65 |
| 75830-52** | 24 | 44.40 |
| 75830-57** | 6 | 11.10 |



- NOTES:
- MATERIAL: HOUSING - LIQUID CRYSTAL POLYMER (LCP) GLASS-FILLED, UL 94V-0, COLOR - GRAY, ELECTRICALLY ENHANCED INSERT: CONDUCTIVE RESIN, COLOR - BLACK, SIGNAL CONTACT AND GROUND BLADE - HIGH PERFORMANCE COPPER ALLOY.
 - FINISHES: SELECTIVE GOLD (Au) ON CONTACT AREA, SELECTIVE MATTE TIN (Sn) ON PCB TAILS, NICKEL (Ni) OVERALL.
 - THESE PART CONFORMS TO MOLEX PRODUCT SPECIFICATION PS-75221-999.
 - FOR MIXED CONTACT MATING LENGTHS CONSULT MOLEX FOR AVAILABILITY, CONTACT PAIRS MUST BE THE SAME LENGTH.
 - FOR SPECIFIC PART NUMBER AND MATING INFORMATION PLEASE REFER TO CHART.
 - PACKAGE PER PK-70873-563.
 - EITHER MARK PART NUMBER AND DATE CODE APPROXIMATELY WHERE SHOWN, ON EITHER SIDE OF THE PART OR PLACE A LABEL ON THE TUBE.
 - OPTIONAL HOLE LOCATION FOR GROUNDED GUIDE PIN OR ADDITIONAL GUIDE SUPPORT. SEE DRAWING SD-75234-100 FOR DETAILS.
 - MINIMUM BOARD THICKNESS: 1.6
 - THESE PARTS CONFORM TO MOLEX COSMETIC SPECIFICATION PS-45499-002 CLASS B.
 - HAPS MOLEX ADVANCED PLATING SYSTEM.

THE PRIMARY CARTON WITH A LABEL STATING
"ELV AND RoHS COMPLIANT" IS LEAD FREE.
CARTONS WITHOUT THIS LABEL MAY CONTAIN LEAD.

| 75830-5*** COLUMN | PIN LENGTH DIM "M" | GOLD (Au) THICKNESS micrometers |
|--|-----------------------|------------------------------------|
| | 51 = 10 | 0-3.55 mm |
| 52 = 25 | 1-4.55 mm | |
| 57 = 7 | 2-5.55 mm | |
| KEY POS. 0 = NONE 1 = A 2 = B ETC... | 4-4.55 mm | 0.76 |
| | 5-5.55 mm | |
| | 7-3.55 mm | |
| | 8-4.55 mm | |
| | 9-5.55 mm | |

| P/N | ---*0* | ---*1* | ---*2* | ---*3* | ---*4* | ---*5* | ---*6* | ---*7* | ---*8* |
|------------------------|--------|--------|--------|--------|--------|--------|--------|--------|--------|
| 75830-() | A | B | C | D | E | F | G | H | |
| KEYING PIN ORIENTATION | | | | | | | | | |

| | | | | | | |
|--|---|---|---|--|---|------------------|
| REV TO LEAD-FREE EC NO: UCP 2013-1905 DRAWINGS: 2012/09/06 CHKD/MOLEX: 2012/09/06 APPR/MILLER: 2012/12/05 | QUALITY SYMBOLS ∇=0 ∇=0 ∇=0 | GENERAL TOLERANCES (UNLESS SPECIFIED) DIM INCH 4 PLACES ±--- 3 PLACES ±--- 2 PLACES ±0.25 1 PLACE ±0.38 0 PLACE ±--- ANGULAR ±1/2° DRAFT WHERE APPLICABLE MUST REMAIN WITHIN DIMENSIONS | DIMENSION STYLE MM ONLY DRAWN BY: J.B. INGHAM CHECKED BY: J. LAURX DATE: 2008/01/22 DATE: 2008/01/22 APPROVED BY: SMILLER DATE: 2012/12/05 | SCALE: 5:1 DESIGN UNITS: METRIC THIRD ANGLE PROJECTION | TITLE: GBX 4-PAIR BACKPLANE LF ELECTRICALLY ENHANCED RIGHT END SALES ASSEMBLY molex MATERIAL NO. SD-75830-510 DOCUMENT NO. SD-75830-510 | SHEET NO. 1 OF 1 |
| | THIS DRAWING CONTAINS INFORMATION THAT IS PROPRIETARY TO MOLEX INCORPORATED AND SHOULD NOT BE USED WITHOUT WRITTEN PERMISSION | | | | | |