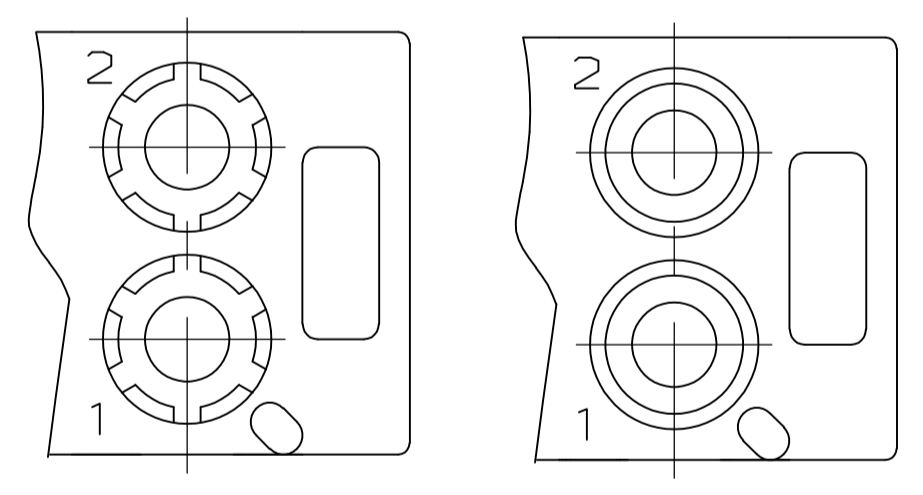
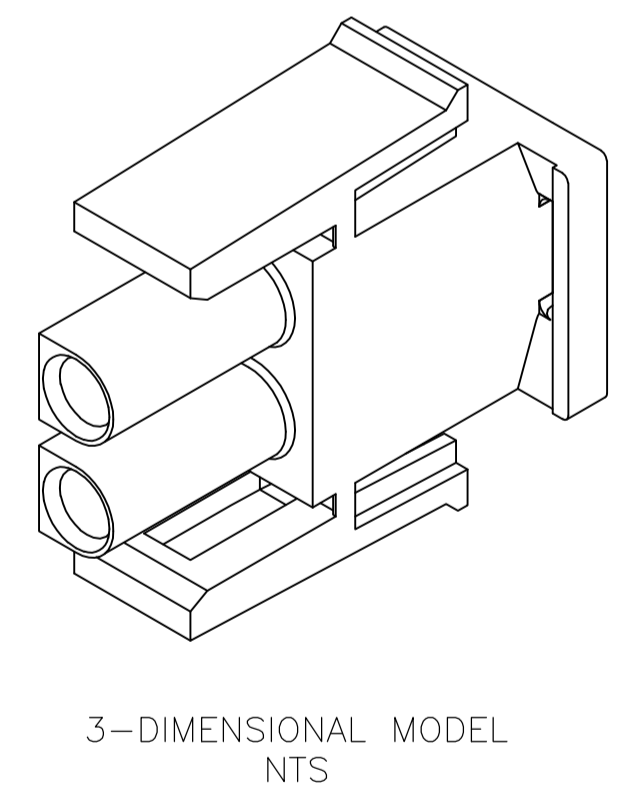
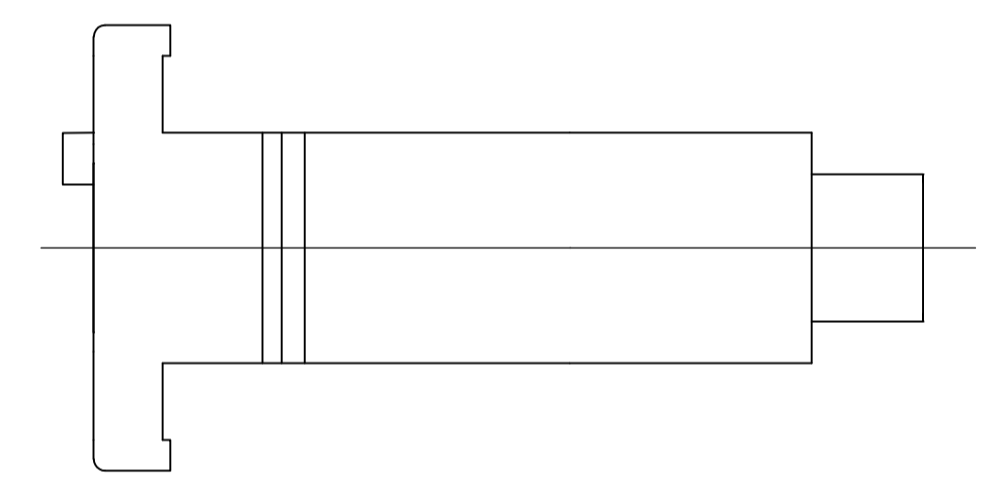
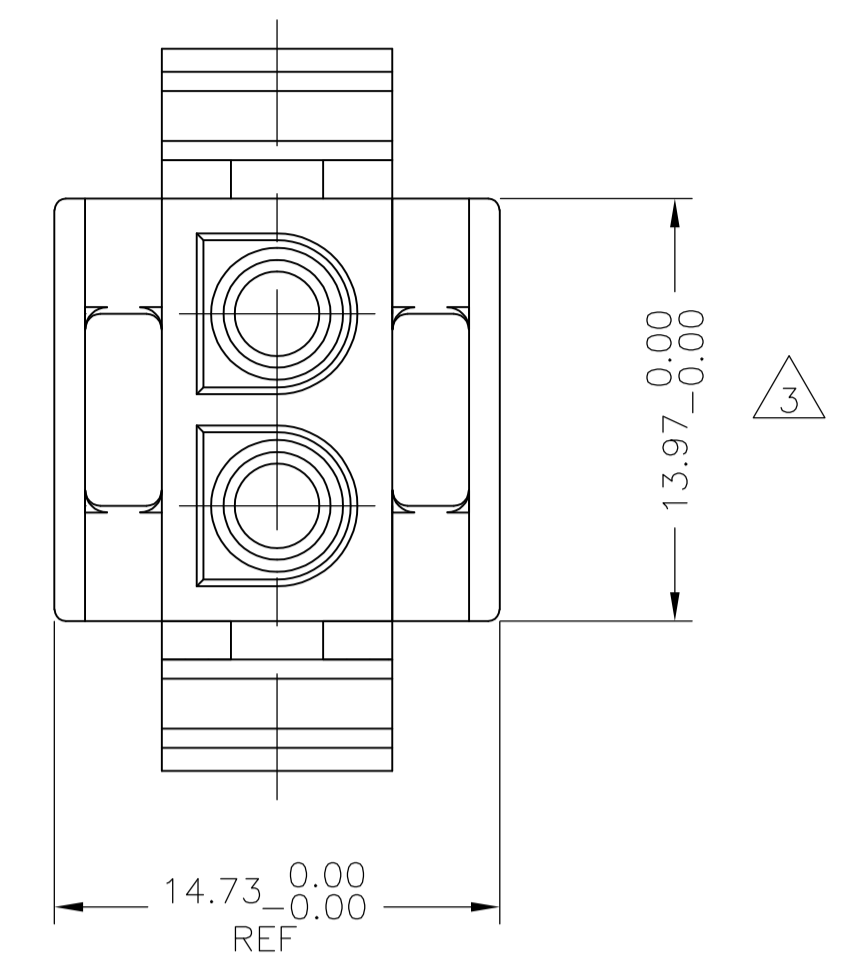
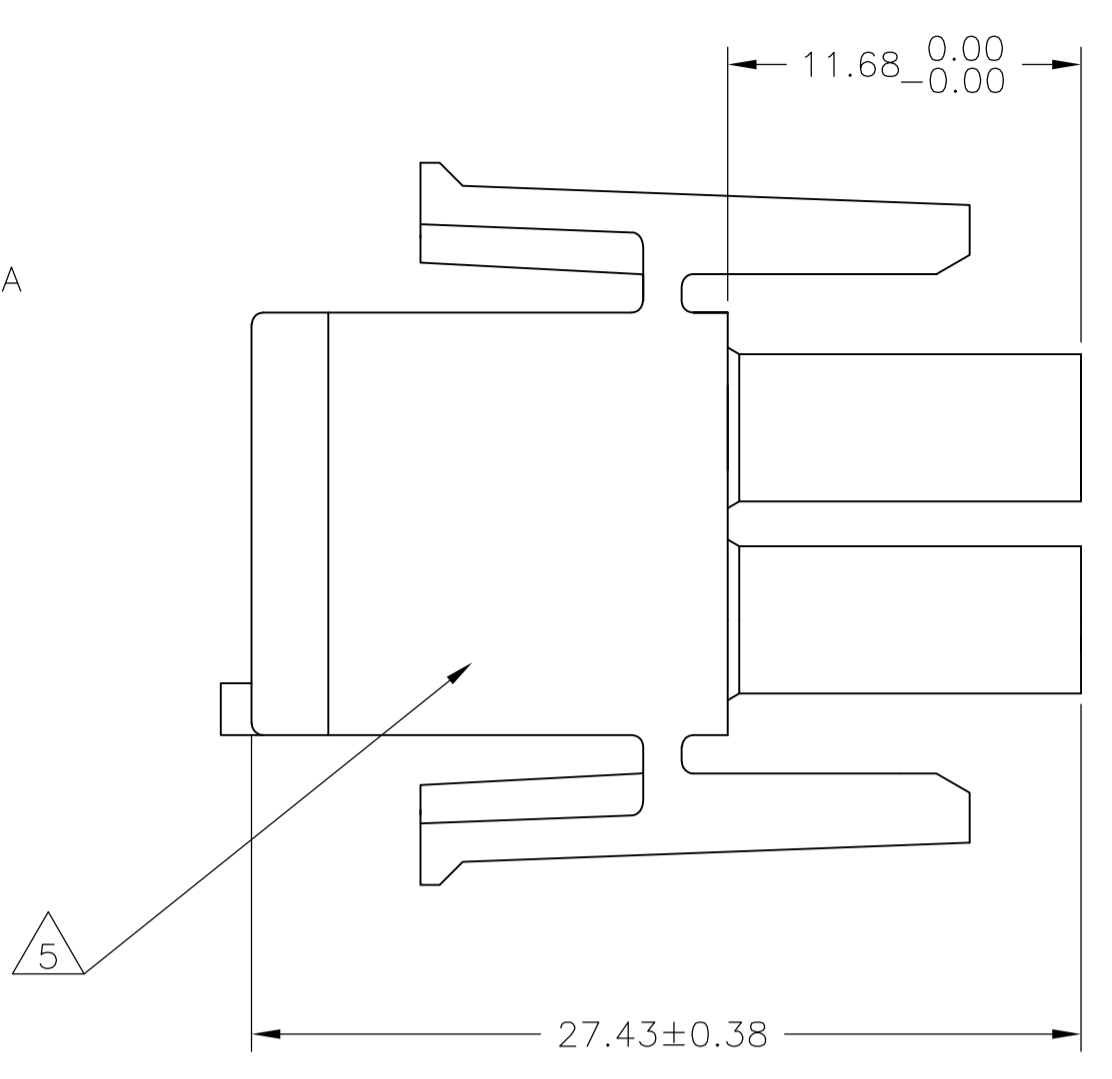
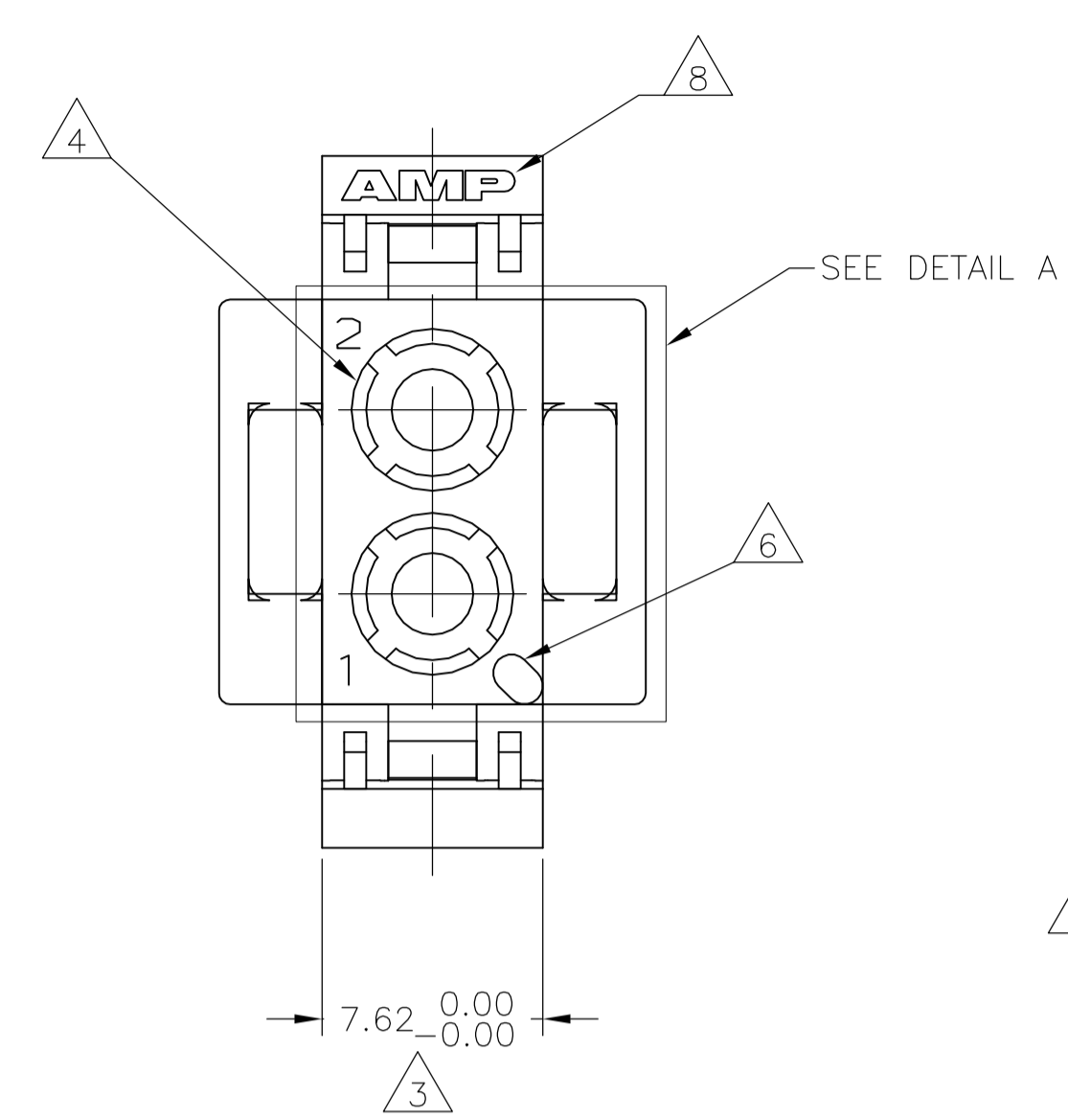


LOC		DIST		REVISIONS			
CM	00	REV	PER	DESCRIPTION	DATE	DWN	APVD
AH3	REV PER ECR	12-000507			10JAN12	JR	TM



- 1 MATES WITH APPROPRIATE UNIVERSAL MATE-N-LOK™ CAP OR HEADER.
- 2 SMALL NICKS ARE PERMITTED ON THE CIRCUIT TOWERS WHICH COULD INCREASE THE INITIAL HOUSING MATING FORCE BY UP TO 4.4 NEWTONS [1.0 LBS]. NO INDIVIDUAL NICKED TOWER SHALL INCREASE THIS FORCE BY OVER 2.2 NEWTONS [.5 LBS].
- 3 DIMENSION INDICATED IS AS MOLDED. ADDITIONAL GROWTH DUE TO SUBSEQUENT MOISTURE ABSORPTION MAY OCCUR.
- 4 FOUR RIBS EQUALLY SPACED, NO SPECIFIC ORIENTATION. NO RIBS OR SIX RIBS EQUALLY SPACED, NO SPECIFIC ORIENTATION, OPTIONAL.
- 5 UNDERWRITERS RECOGNIZED COMPONENT LOGO AND CSA CERTIFICATION LOGO TO BE LOCATED ONCE ON ANY SIDE OF HOUSING.
- 6 POSITION #1 LOCATOR FEATURE MAY BE ROUND OR OBLONG (AS DEPICTED).
- 7 OBSOLETE PARTS: OBSOLETE CIS STREAMLINING PER D.RENAUD/D.SINISI
- 8 SHOWN FOR CONVENIENCE; AMP LOGO MAY BE ON ANY EXTERNAL SURFACE.

MM	IN
27.43	1.080
14.73	.580
13.97	.550
11.68	.460
7.62	.300
0.38	.015
0.13	.005
MM	IN

CONVERSION TABLE

OBSOLETE	BLACK	1-480698-9
	GRAY	1-480698-8
OBSOLETE	BLUE	1-480698-6
	GREEN	1-480698-5
	YELLOW	1-480698-4
	ORANGE	1-480698-3
	RED	1-480698-2
	BROWN	1-480698-1
	NATURAL	1-480698-0
	COLOR	PART NUMBER

METRIC

THIS DRAWING IS A CONTROLLED DOCUMENT.

DIMENSIONS:	TOLERANCES UNLESS OTHERWISE SPECIFIED:	DIN	K. WHITAKER	22JUL05
mm	0. PLC ± -	CHK	S. RIDGILL	22JUL05
	1. PLC ± -	APVD	S. RIDGILL	22JUL05
	2. PLC ± 0.13	NAME	PLUG, 2 CIRCUIT, UNIVERSAL MATE-N-LOK	
	3. PLC ± -	PRODUCT SPEC		
	4. PLC ± -	APPLICATION SPEC		
	ANGLES ± -	FINISH		
MATERIAL	NYLON	WEIGHT	A1 00779 480698	
CUSTOMER DRAWING		SCALE	4:1	SHEET 1 OF 1

STE TE Connectivity

RESTRICTED TO REV AH3