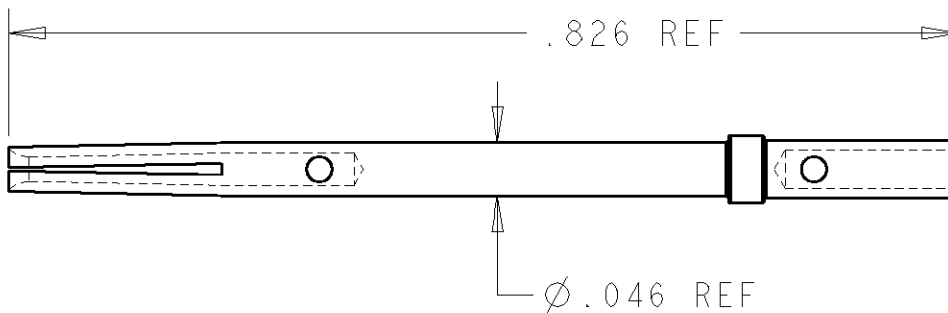


LOC	DIST	REVISIONS				
P	LTR	DESCRIPTION	DATE	DWN	APVD	
DF	A5	0	DRAWN - RELEASED PER OH14-0039-05	12JAN2005	BY RW	



1. THIS SOCKET CONTACT IS A REPLACEMENT COMPONENT FOR USE ON QUADRAX SOCKET ASSEMBLY AS SHOWN ON THE FOLLOWING DRAWING(S): 1445693.

20

RELEASED FOR PUBLICATION

THIS DRAWING IS UNPUBLISHED.

BY TYCO ELECTRONICS CORPORATION. ALL RIGHTS RESERVED.

© COPYRIGHT 20

50	1445700-5
BULK PACKAGE QUANTITY	PART NUMBER

DIMENSIONS: IN	DWN	Brent D. Yohn	12JAN2005	MATERIAL	-	FINISH	-
	CHK	R.P. WALTER	13JAN2005	Tyco Electronics Harrisburg, PA 17105-3608			
TOLERANCES UNLESS OTHERWISE SPECIFIED:	APVD	R.P. WALTER	13JAN2005				
0 PLC ±-	PRODUCT SPEC	NAME CONTACT, SOCKET, CRIMP, SIZE 24, QUADRAX					
1 PLC ±-	-						
2 PLC ±-	APPLICATION SPEC	SIZE	CAGE CODE	DRAWING NO	RESTRICTED TO		
3 PLC ±-	-	A4	00779	C=1445700	-		
4 PLC ±-	WEIGHT	CUSTOMER DRAWING					
ANGLES ±-	-	SCALE	6:1	SHEET	1 OF 1	REV	0

