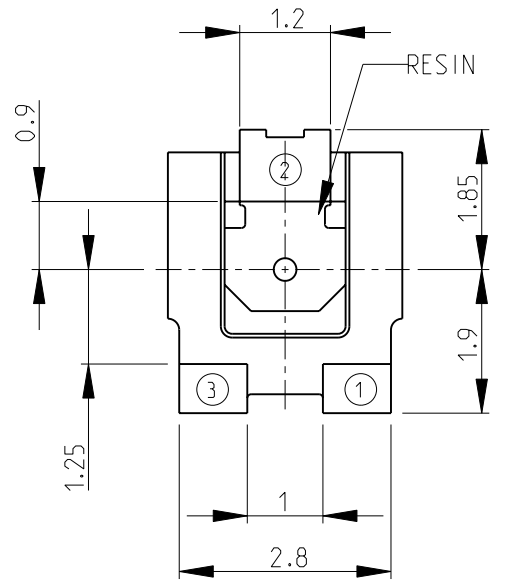
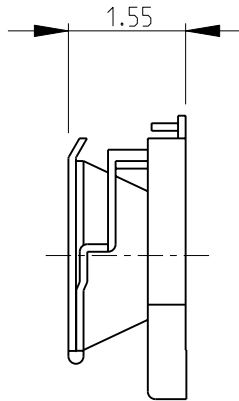
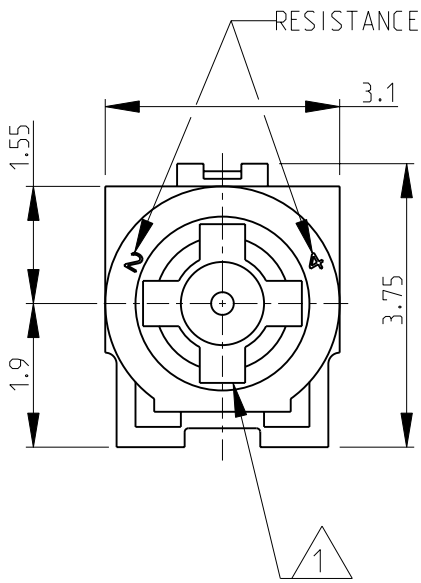
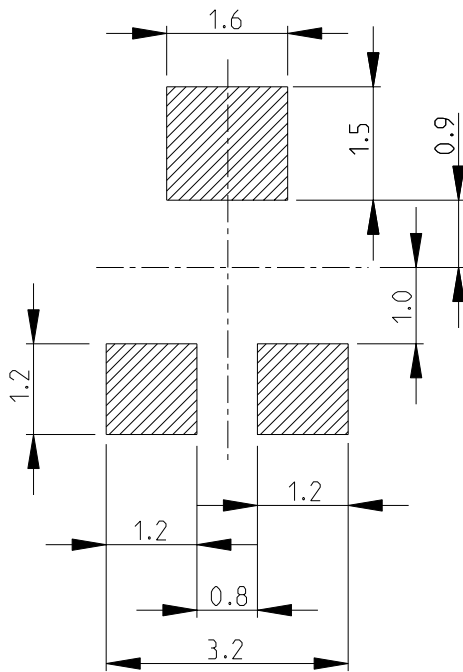


LOC	DIST	REVISIONS					
E	B	P	LTR	DESCRIPTION	DATE	DWN	APVD
		A		NEW RELEASE	05-Aug-08	SM	St.P

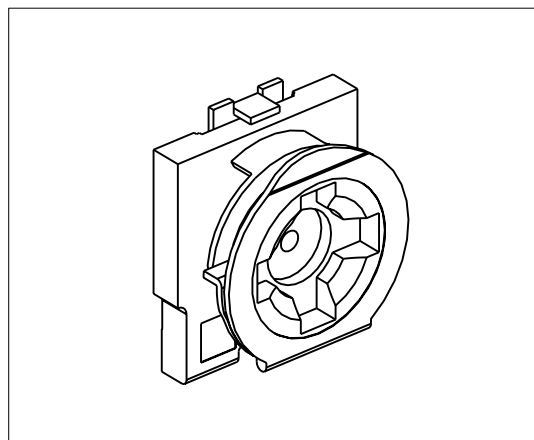


RECOMMENDED LAND PATTERN



- 1 DRIVER SLOT: Width-0.6, length-2.1, Depth-0.4
- 2 FOR FURTHER INFORMATION SEE DATA SHEET FOR 3130 SERIES-SMD ECONOMY TRIMMERS

RoHS Compliant



2008  
RELEASED FOR PUBLICATION  
THIS DRAWING IS UNPUBLISHED.  
COPYRIGHT 2008 BY TYCO ELECTRONICS CORPORATION. ALL RIGHTS RESERVED.

DIMENSIONS: mm	DWN	05-Aug-08	MATERIAL	-	FINISH	-
	CHK	05-Aug-08	Tyco Electronics Corporation Dorcan, Swindon, SN3 5HH			
TOLERANCES UNLESS OTHERWISE SPECIFIED:	APVD	05-Aug-08				
0 PLC ±0.5	PRODUCT SPEC	-	NAME SMD ECONOMY TRIMMERS SERIES 3130W			
1 PLC ±0.2	APPLICATION SPEC	-				
2 PLC ±0.1	WEIGHT	-	SIZE	A 4	CAGE CODE	00779
3 PLC ±-			DRAWING NO	C= 1623922		RESTRICTED TO
4 PLC ±-						-
ANGLES ±5						
	CUSTOMER DRAWING		SCALE	10:1	SHEET	1 OF 1
						REV
						A