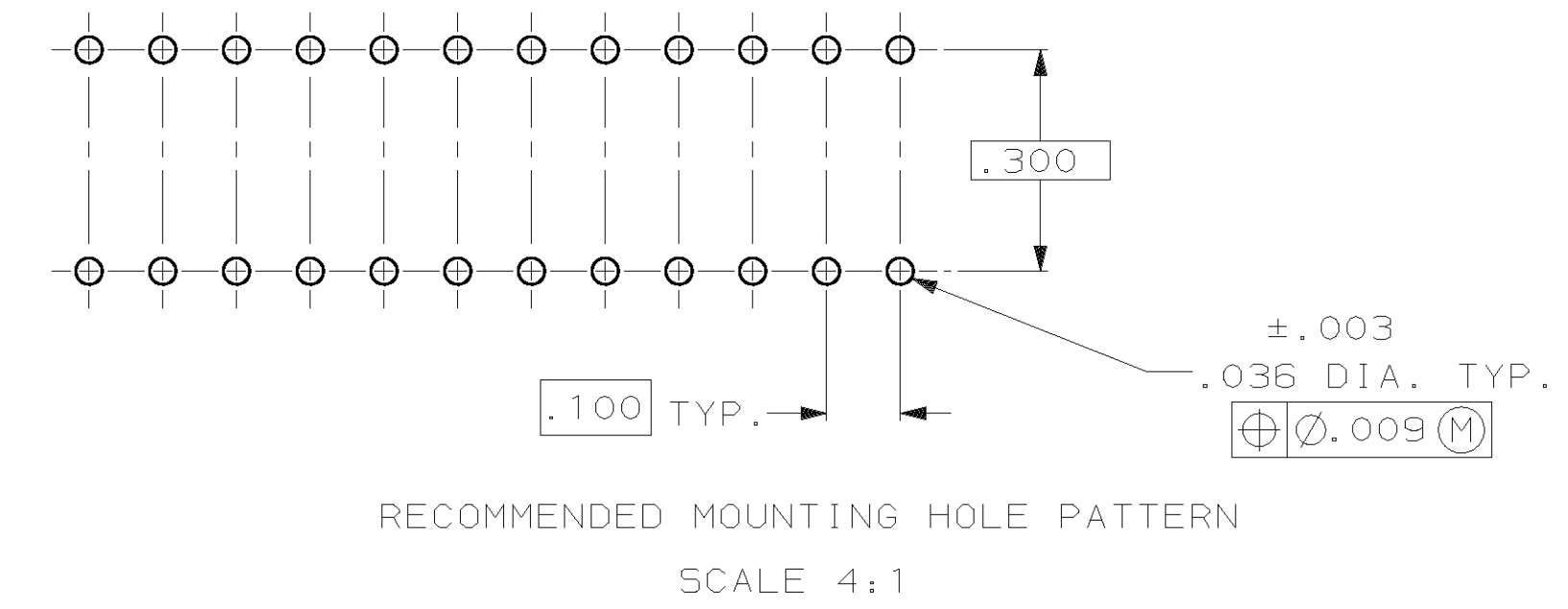
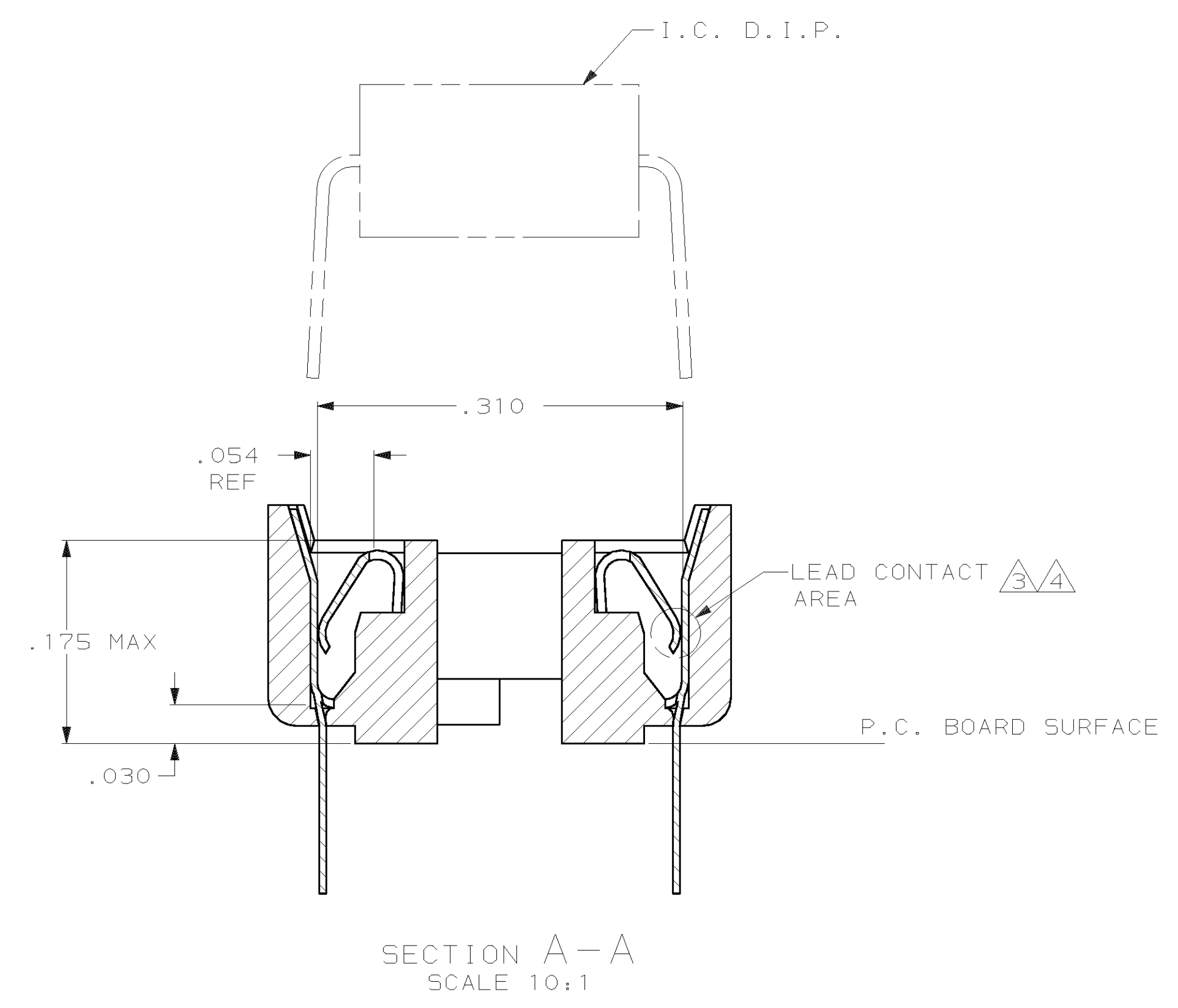
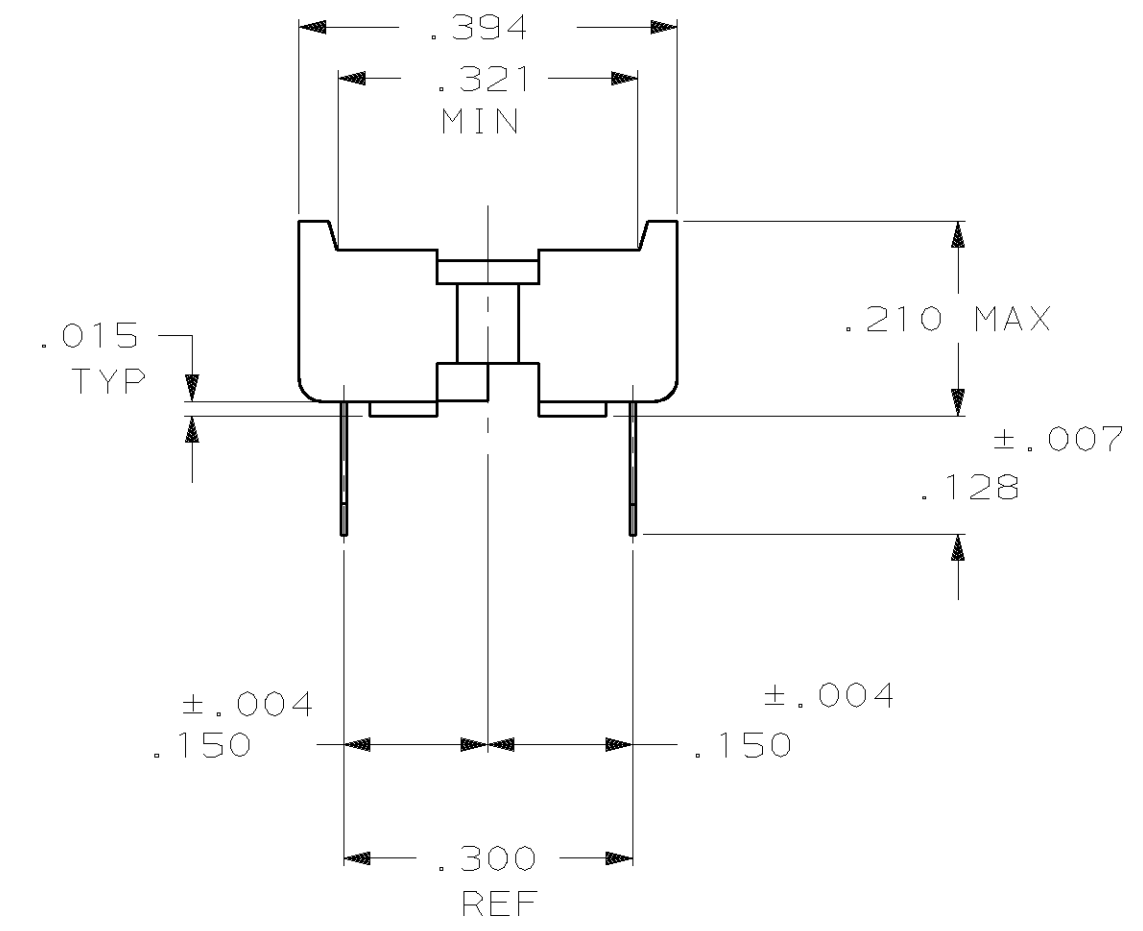
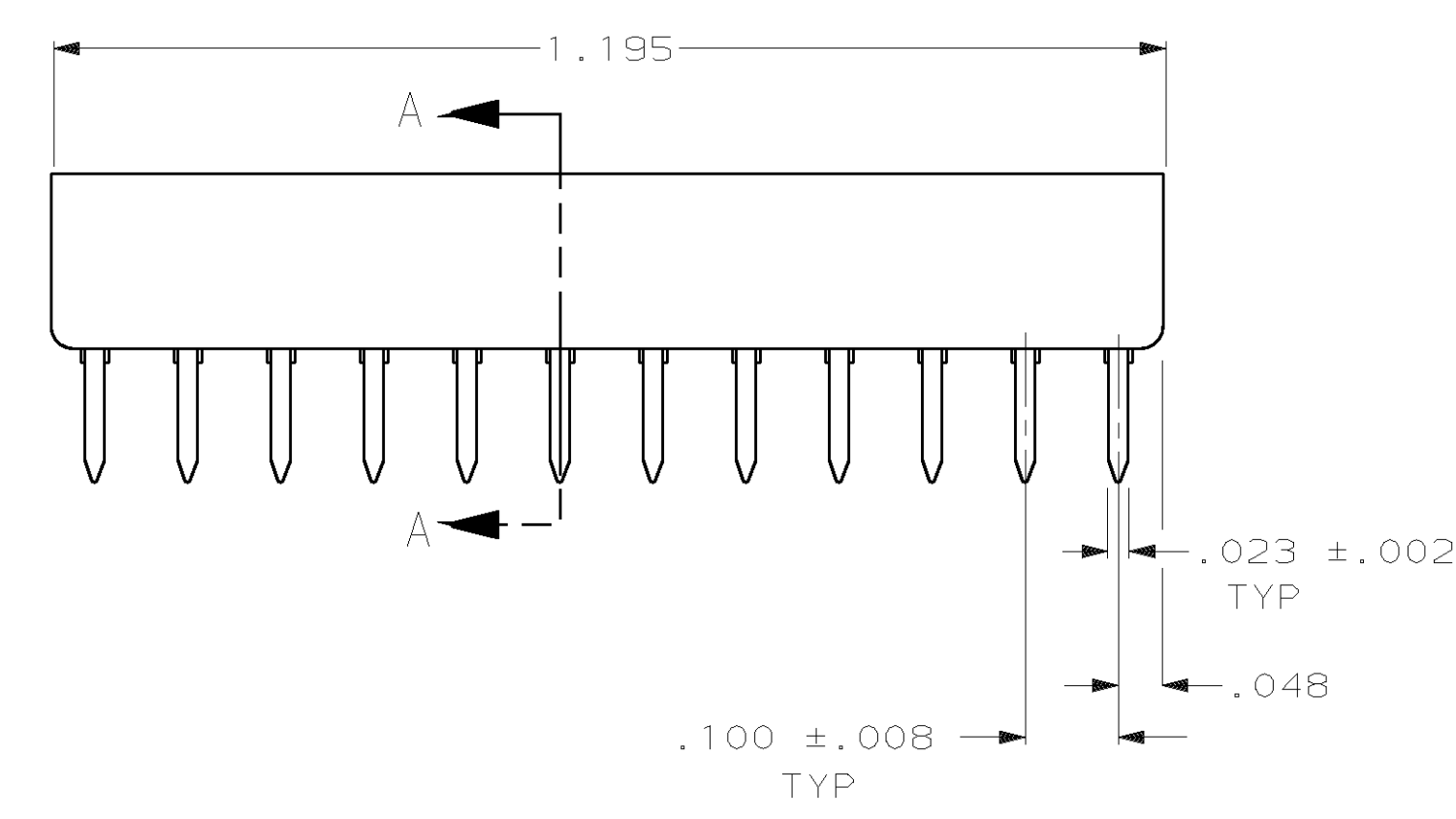
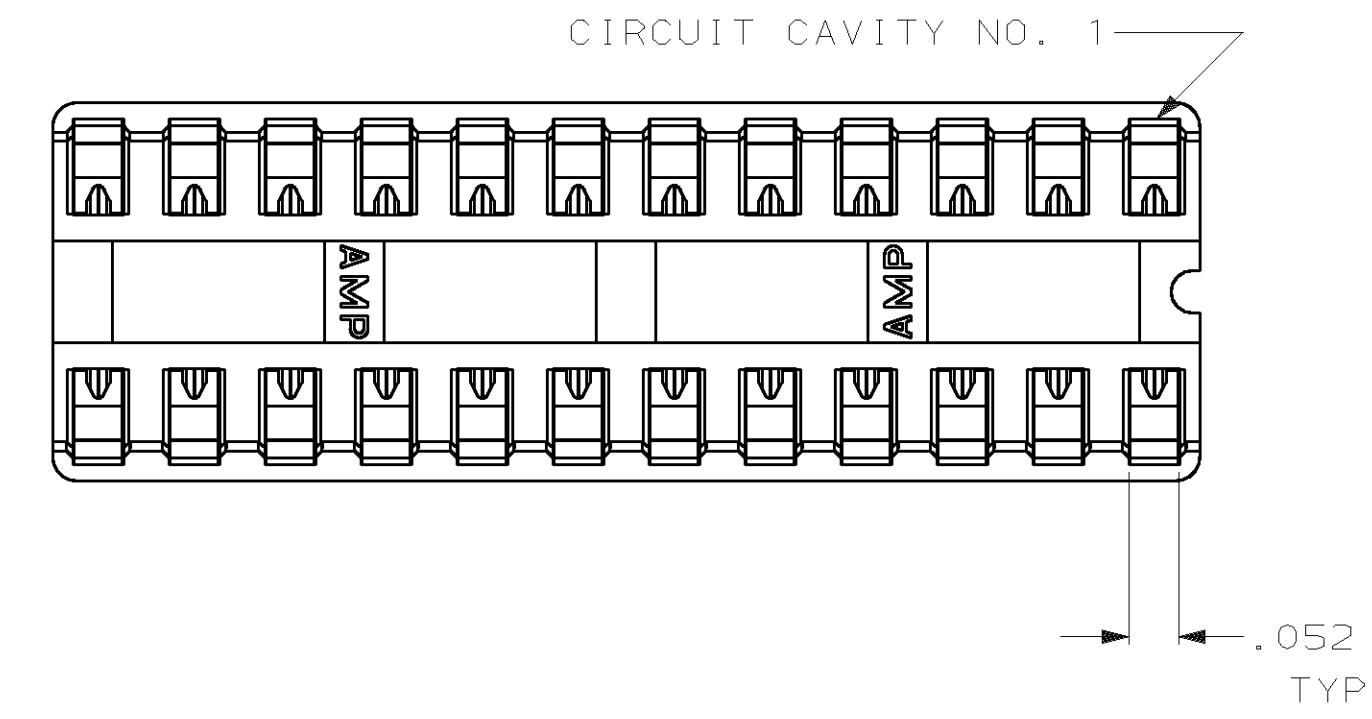


LOC		DIST		P		F		ZONE		LTR		REVISIONS		DATE	APPD
AD	0												DESCRIPTION	25SEP01	JO
													REV PER	OG3C-0104-01	

- RECEPTACLE ACCEPTS A .008-.014 THICK I.C. LEAD.
- TUBE LOADED FOR AUTOMATIC INSERTION.
- TWO .000030 MIN THK. GOLD STRIPES IN CONTACT AREA WITH TIN-LEAD (93/7) ON CONTACT LEGS, BALANCE OF CONTACT NICKEL PLATED.
- TWO .000015 MIN THK. GOLD STRIPES IN CONTACT AREA WITH TIN-LEAD (93/7) ON CONTACT LEGS, BALANCE OF CONTACT NICKEL PLATED.
- SPECIAL PACKAGING.



SUPSD BY 390261-8	TINNED	BE.CU. .006 THK	GLASS-FILLED THERMOPLASTIC, 94V-0, BLACK	5-641932-1
OBSOLETE	TINNED	PHOS.BRZ. .006 THK	GLASS-FILLED THERMOPLASTIC, 94V-0, BLACK	2-641932-5
		PHOS.BRZ. .006 THK	GLASS-FILLED THERMOPLASTIC, 94V-0, BLACK	2-641932-4
SUPSD BY 390261-8	TINNED	PHOS.BRZ. .006 THK	GLASS-FILLED THERMOPLASTIC, 94V-0, BLACK	2-641932-3
		BE.CU. .006 THK	GLASS-FILLED THERMOPLASTIC, 94V-0, BLACK	2-641932-2
SUPSD BY 390261-8	TINNED	BE.CU. .006 THK	GLASS-FILLED THERMOPLASTIC, 94V-0, BLACK	2-641932-1
	CONTACT FINISH	CONTACT MAT'L	HOUSING MATERIAL	PART NO.

UNLESS OTHERWISE SPECIFIED DIMENSIONS ARE IN INCHES TOLERANCES ON :		DR		AMP INCORPORATED	
2 PL DEC ±.005	8-17-87	M. CYRUS		Harrisburg, Pa. 17105	
3 PL DEC ±.005	8-31-87	R. MILLER		NAME	
ANGLES ±0°30'	9-4-87	J. LAMBERT		SOCKET ASSY, DIP, LADDER, 24 POS, DIPLOMATE DL	
MATERIAL	9-4-87	J. GRAY		SIZE	FSCM NO
SEE TABLE	PRODUCT SPEC	108-1066		D	00779
FINISH	APPLICATION SPEC	114-1049		DRAWING NO	641932
SEE TABLE	WEIGHT	-		SCALE	5:1
				SHEET	1 OF 1