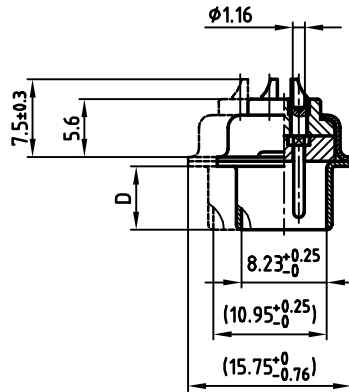
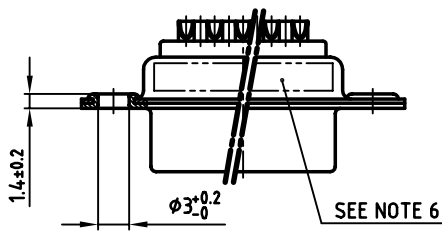
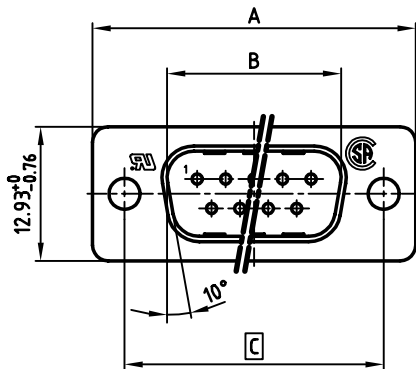


used for: D-SUB



Dimensions in (---) = 50 pos.

No. of pos.	A ^{-0.76}	B ^{+0.25}	C	D ^{-0.3}	Part No:
9	31.19	16.79	25.00 ^{-0.12/-0.13}	6.12	161A10019X
15	39.52	25.12	33.30 ^{-0.15/-0.1}	6.12	161A10029X
25	53.42	38.84	47.04±0.13	5.99	161A10039X
37	69.70	55.30	63.50±0.13	5.99	161A10049X
50	67.31	52.68	61.10 ^{+0.14/-0.11}	5.99	161A10059X

NOTES:

- METALSHELLS: STEEL; 315µm YELLOWCHROME OVER 120µm ZINC
- INSULATORS: PBT GF UL 94 V-0, BLACK
- CONTACTS: COPPER ALLOY
- PLATING: min. 8µ" HARD GOLD OVER min. 50µ" NICKEL
- SOLDER CUP ACCEPTS CABLE AWG 20
- CONNECTOR IS PART MARKED: [PART-NO. CONEC Y/WW]
- = CRITICAL DIMENSION

THIS DRAWING MAY NOT BE COPIED OR REPRODUCED IN ANY WAY, AND MAY NOT BE PASSED ON TO A THIRD PARTY, WITHOUT WRITTEN PERMISSION. OWNERSHIP AND COPYRIGHT OF CONEC GmbH DO NOT ALTER CAD DRAWING BY HAND	tolerance				scale: 2:1
					material: SEE NOTES
	2002	date	name		D-SUB Plug connector Solder cup accepts cable AWG 20 with through hole, 9 - 50 pos.
	drawn	13.03.	Schmidt		
	appd.	13.03.	Mickenbecker		
	norm	DIN 41652			
d-old	KAT11F3A			dwg no: AutoCAD 2000	
				DIN-A 3	
				sh: 1/1	
rev.	description	date	name	part no: SEE TABLE	