

- 注記 NOTES
- △ MX J側を基準に奇数番目の極におけるソルダーテール。
SOLDER TAIL OF ODD CKTS, MXJ MARK AS BASIC.
 - △ MX J側を基準に偶数番目の極におけるソルダーテール。
SOLDER TAIL OF EVEN CKTS, MXJ MARK AS BASIC.
 - △ 3極~10極に適用。APPLY FOR 3-10 CKTS.
 - △ 3極~19極に適用。APPLY FOR 3-19 CKTS.
 - 5. () 内寸法は、参考値。
() DIMENSION IS FOR REFERENCE.
 - 6. ソルダーテールは、先端が取付推奨穴にガイドされること。
SOLDER TAILS MAY BE CHECKED BY INSERTION FOR RECOMMENDED PCB BOARD HOLES.
 - 7. 本製品は5597-NAPBの鉛フリー品である。
THIS PRODUCT IS LEAD FREE OF 5597-NAPB.

48.25	43.95	39-53-2344	5597-34APB7F	34
45.75	41.45	-2324	-32APB7F	32
44.50	40.20	-2314	-31APB7F	31
43.25	38.95	-2304	-30APB7F	30
42.00	37.70	-2294	-29APB7F	29
40.75	36.45	-2284	-28APB7F	28
39.50	35.20	-2274	-27APB7F	27
38.25	33.95	-2264	-26APB7F	26
37.00	32.70	-2254	-25APB7F	25
35.75	31.45	-2244	-24APB7F	24
34.50	30.20	-2234	-23APB7F	23
33.25	28.95	-2224	-22APB7F	22
32.00	27.70	-2214	-21APB7F	21
30.75	26.45	-2204	-20APB7F	20
29.50	25.20	-2194	-19APB7F	19
28.25	23.95	-2184	-18APB7F	18
27.00	22.70	-2174	-17APB7F	17
25.75	21.45	-2164	-16APB7F	16
24.50	20.20	-2154	-15APB7F	15
23.25	18.95	-2144	-14APB7F	14
22.00	17.70	-2134	-13APB7F	13
20.75	16.45	-2124	-12APB7F	12
19.50	15.20	-2114	-11APB7F	11
18.25	13.95	-2104	-10APB7F	10
17.00	12.70	-2094	-09APB7F	9
15.75	11.45	-2084	-08APB7F	8
14.50	10.20	-2074	-07APB7F	7
13.25	8.95	-2064	-06APB7F	6
12.00	7.70	-2054	-05APB7F	5
10.75	6.45	-2044	-04APB7F	4
9.50	5.20	39-53-2034	5597-03APB7F	3
B	A	EDP NO.	ENG NO.	極数 CKT.

材料
MATERIAL
HOUSING, ACTUATOR : PBTP, UL94V-0
TERMINAL : PHOSPHOR-BRONZE
THK : 0.31

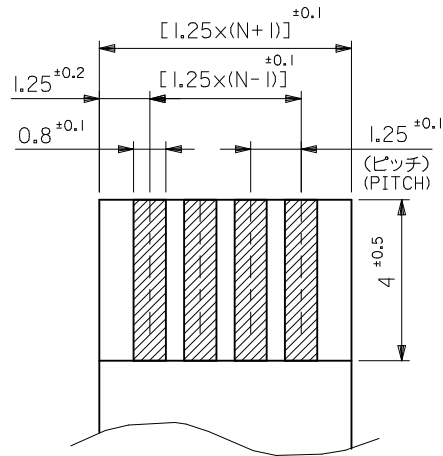
仕上げ TIN-BISMUTH :
FINISH 10 MICROMETER MINIMUM
OVER NICKEL PLATING :
10 MICROMETER MINIMUM

適用電線範囲
WIRE RANGE —#—

被覆外径
INS. RANGE —#—

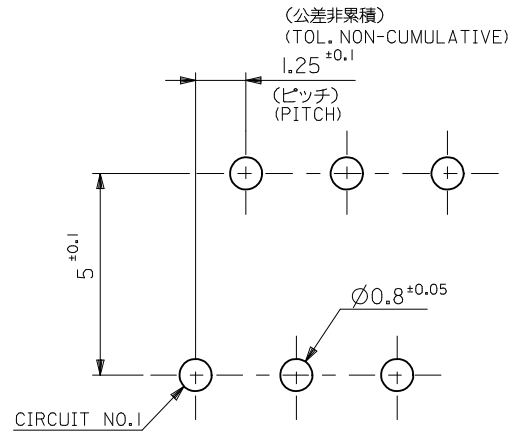
REVISED EC NO: J2016-0714 DRWN: YMIJUN02 2016/01/12 CHKD: K. TAKAHASHI 2016/01/12 APPR: IKUSUHARA01 2016/01/20	DESCRIPTION	GENERAL TOLERANCES (UNLESS SPECIFIED)	
		0.25 UNDER UNDER ±0.03	
		0.25 OVER 0.5 UNDER ±0.05	
		0.5 OVER 1.0 UNDER ±0.1	
		1.0 OVER 10 UNDER ±0.2	
10 OVER 30 UNDER ±0.25			
30 OVER ±0.3			
ANGULAR ±3 °			
DRAFT WHERE APPLICABLE MUST REMAIN WITHIN DIMENSIONS			
REV		SIZE A3	

DIMENSION STYLE MM ONLY		SCALE ---	DESIGN UNITS METRIC	MODEL NO. 5597-NAPB7F
DRAWN BY M. NAGATA		DATE '04/05/10	TITLE 1.25 FPC CONNECTOR ASSY ZIF -LEAD FREE-	THIRD ANGLE PROJECTION
CHECKED BY K. TOJO		DATE '04/05/10	molex	SHEET NO. 1 OF 2
APPROVED BY M. SASAO		DATE '04/05/10		
MATERIAL NO.		DOCUMENT NO. SD-5597-011		
SEE CHART				
THIS DRAWING CONTAINS INFORMATION THAT IS PROPRIETARY TO MOLEX ELECTRONIC TECHNOLOGIES, LLC AND SHOULD NOT BE USED WITHOUT WRITTEN PERMISSION				



適合FPC/FFC推奨寸法
RECOMMENDED FPC/FFC

厚さ THK : 0.3 ±0.05



基板取付穴推奨寸法 (t=1.6)
RECOMMENDED P.C. BOARD
HOLE DIMENSION

FPC/FFCについて:

打抜き方向は導体側から補強板側を推奨いたします。
導体部については軟銅箔35マイクロメートルまたは50マイクロメートルを推奨いたします。

ABOUT FPC/FFC

RECOMMENDED PUNCHER DIRECTION : FROM CONDUCTOR SIDE TO STIFFENER FILM SIDE.
RECOMMENDED CONDUCTOR SPEC :
THICKNESS OF SOFT COPPER FOIL : 35 MICROMETER OR 50 MICROMETER.

FPCについて:

補強フィルム材質はポリイミドを推奨します。
接着剤は熱硬化接着剤を推奨します。

ABOUT FPC

RECOMMENDED MATERIAL :
STIFFENER FILM : POLYIMIDE
BONDING AGENT : THERMOSETTING BONDING AGENT

MODEL NO. 5597-NAPB7F

REVISED EC NO: J2016-0714 DRWN: YMIZUNO02 2016/01/12 CHKD: K. TAKAHASHI 2016/01/12 APPR: TKUSUHARA01 2016/01/20	GENERAL TOLERANCES (UNLESS SPECIFIED)			DIMENSION STYLE MM ONLY		SCALE ---	DESIGN UNITS METRIC	THIRD ANGLE PROJECTION	
	0.25 UNDER	UNDER	±0.03	DRAWN BY	DATE	TITLE			
	0.25 OVER	0.5 UNDER	±0.05	M. NAGATA	'04/05/10	1.25 FPC CONNECTOR ASSY ZIF -LEAD FREE-			
	0.5 OVER	1.0 UNDER	±0.1	CHECKED BY	DATE	molex			
	1.0 OVER	30 UNDER	±0.2	K. TOJO	'04/05/10				
10 OVER	30 UNDER	±0.25	APPROVED BY	DATE	MATERIAL NO.		DOCUMENT NO.	SHEET NO.	
30 OVER		±0.3	M. SASAO	'04/05/10	SEE CHART		SD-5597-011	2 OF 2	
ANGULAR	±3 °		DRAFT WHERE APPLICABLE MUST REMAIN WITHIN DIMENSIONS		SIZE A3	THIS DRAWING CONTAINS INFORMATION THAT IS PROPRIETARY TO MOLEX ELECTRONIC TECHNOLOGIES, LLC AND SHOULD NOT BE USED WITHOUT WRITTEN PERMISSION			