

NOTES:

1. MATERIALS AND FINISHES:  
 BODY - BRASS, GOLD PLATING.  
 CONTACT - BeCu, GOLD PLATING.  
 INSULATOR - PTFE, NATURAL
2. ELECTRICAL:  
 A. IMPEDANCE: 75 OHM  
 B. FREQUENCY RANGE: DC - 18 GHz  
 C. RETURN LOSS: 20 dB MIN @ DC - 6 GHz  
 15 dB MIN @ 6 - 12 GHz  
 D. DIELECTRIC WITHSTANDING VOLTAGE: 1000 VRMS, MIN  
 E. INSULATION RESISTANCE: 10,000 MEGAOHMS MIN  
 F. VOLTAGE RATING: 335 VRMS
3. MECHANICAL:  
 A. DURABILITY: 500 CYCLES MIN

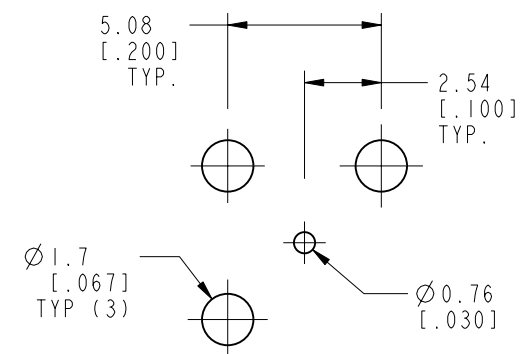
4. PACKAGING:  
 A. QUANTITY: SINGLE PACK  
 B. MARKING: BAG TO BE MARKED:  
 "AMPHENOL RF, 34-1065-12G, & DATE CODE  
 FREQUENCY RANGE: DC -18 GHz"

5. FOR OPTIMUM RF PERFORMANCE, THIS CONNECTOR IS NOT RECOMMENDED FOR PIN-IN-PASTE ASSEMBLY. ANY SOLDER IN THE RF CAVITY CAN AFFECT RF PERFORMANCE.

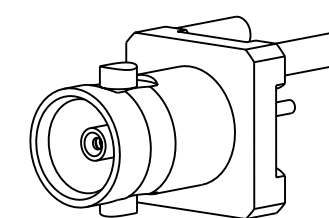
THIRD ANGLE PROJ.

REVISIONS

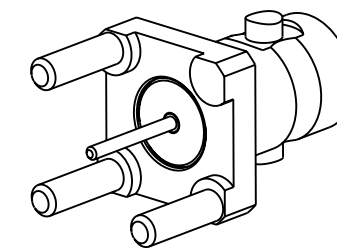
REV	DESCRIPTION	DATE	ECO	APPR
A	RELEASE TO MFG.	03-Mar-16	51040	RM



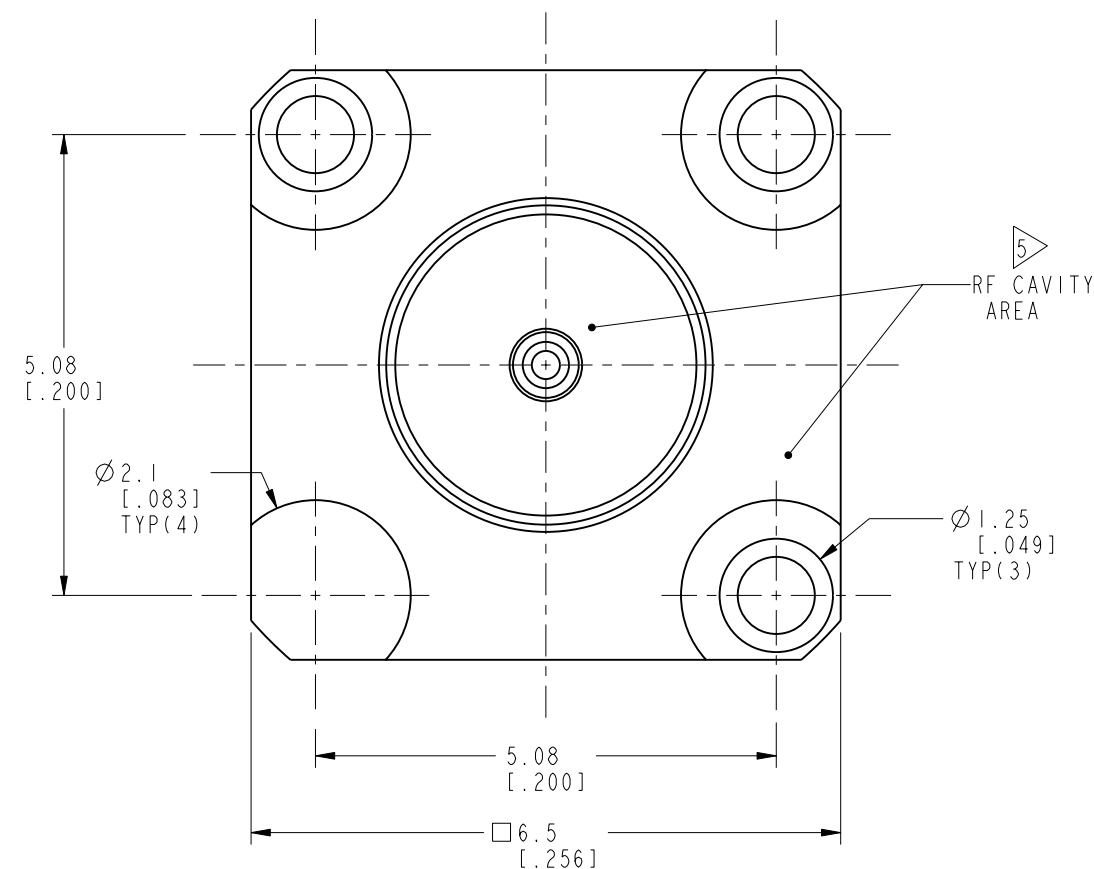
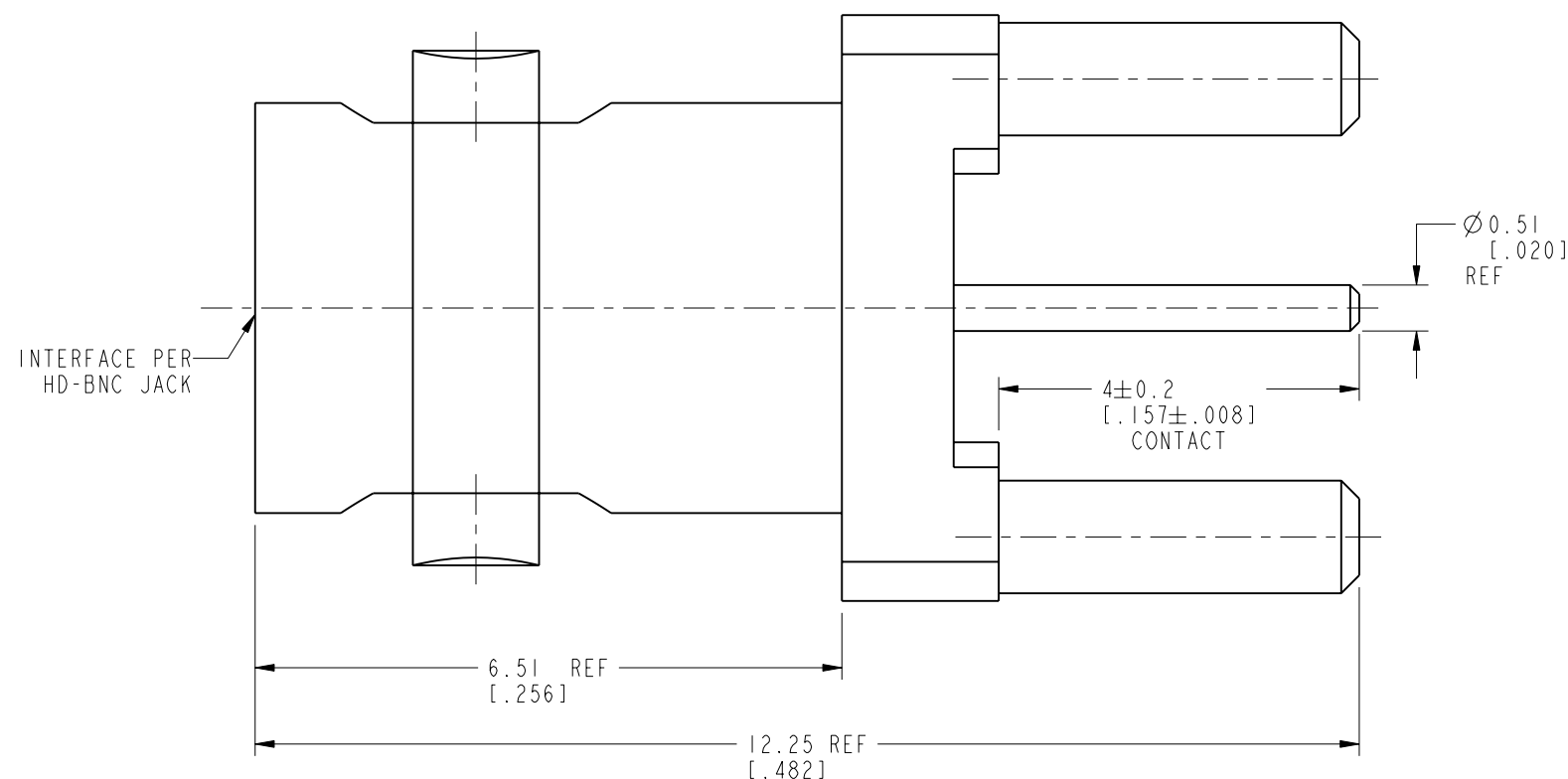
**RECOMMENDED PCB MOUNTING HOLE DIMENSIONS**



SCALE 3.500



SCALE 3.500



**CUSTOMER OUTLINE DRAWING**

ALL OTHER SHEETS ARE FOR INTERNAL USE ONLY

UNLESS OTHERWISE SPECIFIED, DIMENSIONS ARE IN METRIC AND TOLERANCES ARE: <0.5mm ±0.05mm    0.5 - 6mm ±0.1mm    6 - 30mm ±0.2mm    30 - 120mm ±0.3mm    ANGLES ±1°	MATERIAL	DRAWN	DATE	TITLE	Amphenol RF www.amphenolrf.com
	SEE NOTES	R. MAO	03-Mar-16		
	REFERENCE	ENGINEER	DATE	SCALE: 12.0:1.0   SHEET 2 OF 4	
	EAR # 3965	RAJAGOPAL N	19-Feb-16	DWG SIZE	
NOTICE - These drawings, specifications, or other data (1) are, and remain the property of Amphenol corp. (2) must be returned upon request; and (3) are confidential and not to be disclosed to any person other than those to whom they are given by Amphenol Corp. the furnishing of these drawings, specifications, or other data by Amphenol Corp., or to any other person to anyone for any purpose is not to be regarded by implication or otherwise in any manner licensing, granting rights to permitting such holder or any other person to manufacture, use or sell any product, process or design, patented or otherwise, that may in any way be related to or disclosed by said drawings, specifications, or other data.	CONFIGURATION LEVEL: In Work	APPROVED	DATE	REV	DRAWING NO. 34-1065-12G
		S. HSIEH	03-Mar-16	A	ITEM NO. 34-1065-12G
	FINISH	CAD FILE			PART NO. 34-1065-12G