

4

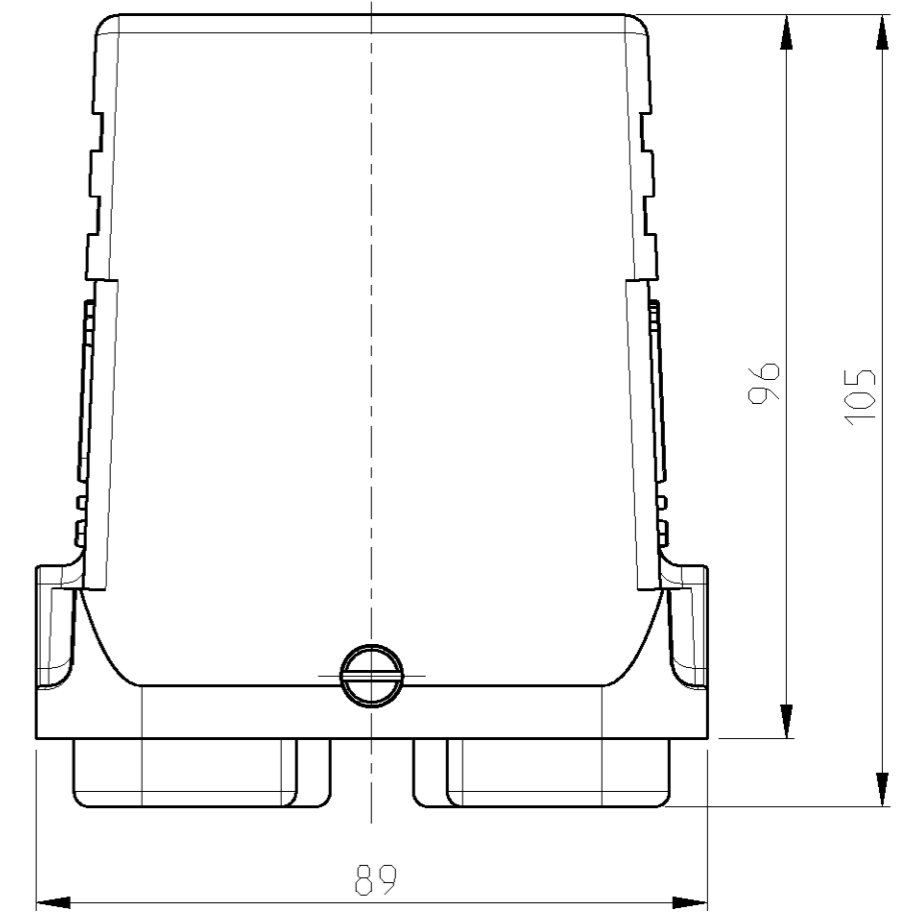
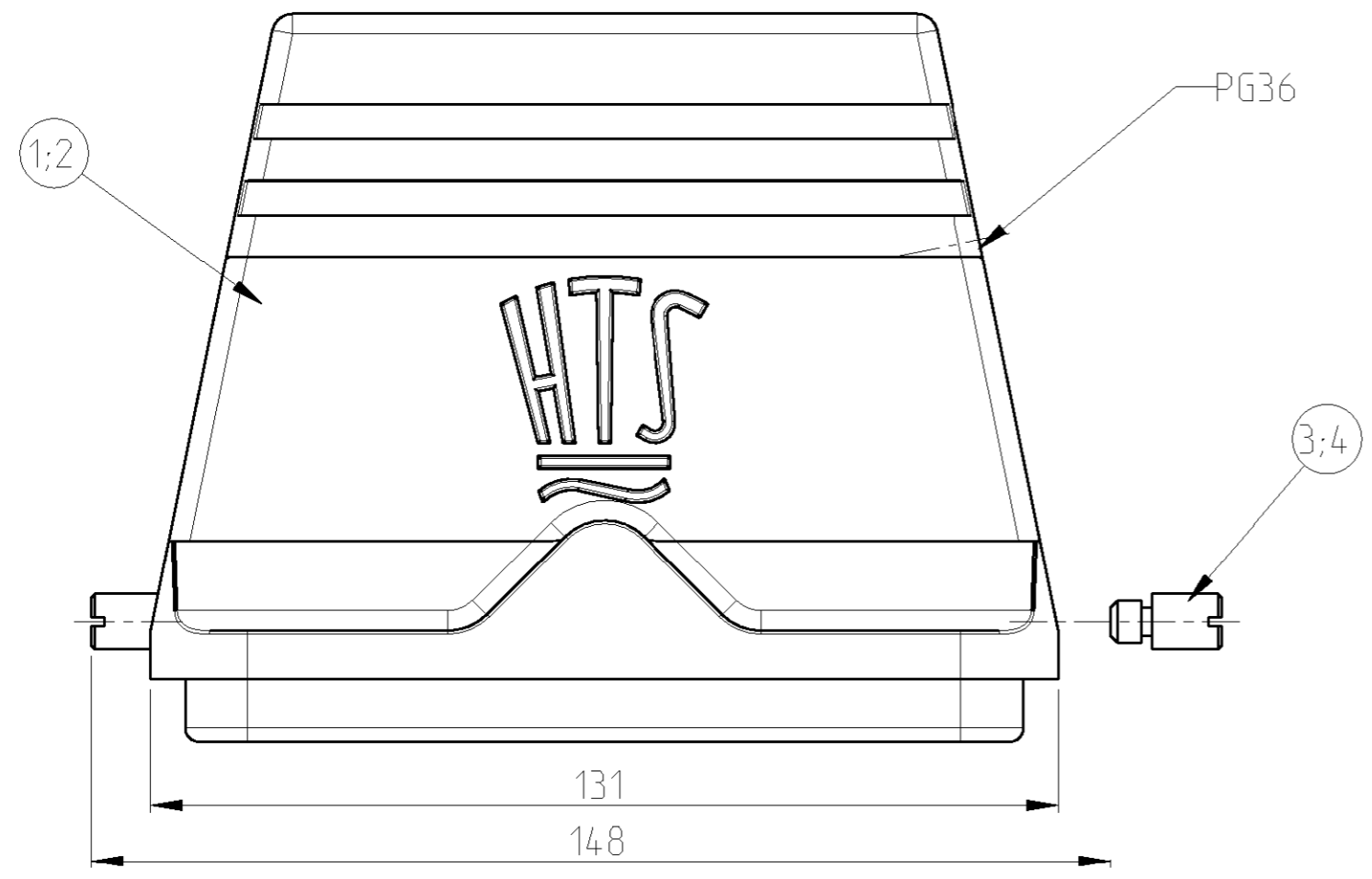
3

2

1

THIS DRAWING IS UNPUBLISHED. RELEASED FOR PUBLICATION 2006
 © COPYRIGHT 2006 BY TYCO ELECTRONICS CORPORATION. ALL RIGHTS RESERVED.

LOC	DIST	REVISIONS				
P	LTR	DESCRIPTION	DATE	DWN	APVD	
A1	-	A2	NEW PRO/E DRAWING ECR-07-019748	16AUG2007	SR	ST



2-7	1-7	DESCRIPTION	MATERIAL	SURFACE	COLOR	ITEM	NOTES
	2	CLIP BOLT	STAINLESS STEEL			4	
	2	CLIP BOLT	STEEL		BLUE	3	
	1	HOOD HB	ALUMINIUM/ALU	ALUMINIUM OXID	BLACK	2	
	1	HOOD HB	ALUMINIUM/ALU		GREY	1	
		HB.48.STS-GR.1.36.G					
		HB-K.48.STS-GR.1.36.G					

- NOTES
- PART SHALL BE FREE AND CLEAN OF BURRS AND OTHER FOREIGN MATERIAL
 - PACKAGING: QUANTITY 3 PIECES
 - VARNISHING INSIDE HOUSING NOT REQUIRED

THIS DRAWING IS A CONTROLLED DOCUMENT FOR TYCO ELECTRONICS CORPORATION. IT IS SUBJECT TO CHANGE AND THE CONTROLLING ENGINEERING ORGANIZATION SHOULD BE CONTACTED FOR THE LATEST REVISION.

DIMENSIONS: mm	TOLERANCES UNLESS OTHERWISE SPECIFIED: 0 PLC ± 1 PLC ± 2 PLC ± 3 PLC ± 4 PLC ± ANGLES ±1°	MATERIAL -	FINISH -	DWN R.SCHNEIDER 16AUG2007	CHK SCHNURPFEIL 17AUG2007	APVD -	PRODUCT SPEC -	APPLICATION SPEC -	WEIGHT -	CUSTOMER DRAWING	tyco Electronics AMP GmbH 53819 Neunkirchen (Germany)	NAME HOOD ASSY HB.48.STS-GR.1.36.G	SIZE A3	CAGE CODE 00779	DRAWING NO C=1102376	RESTRICTED TO -
SCALE 5:1											SHEET 1 OF 1	REV A2				