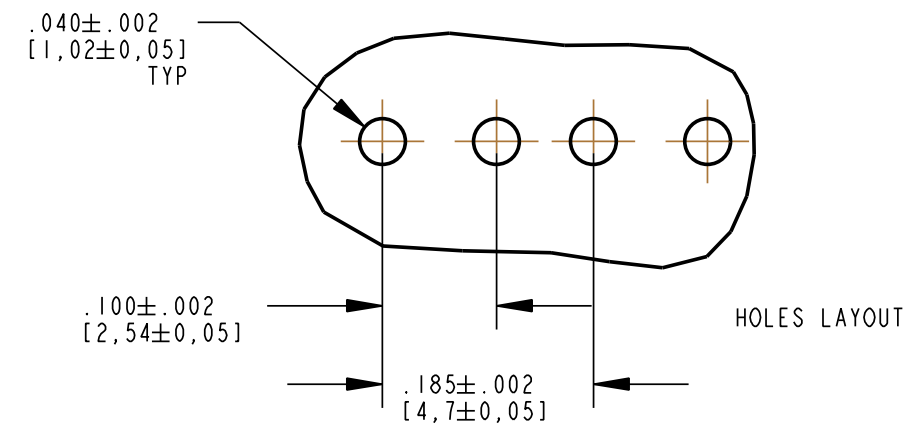
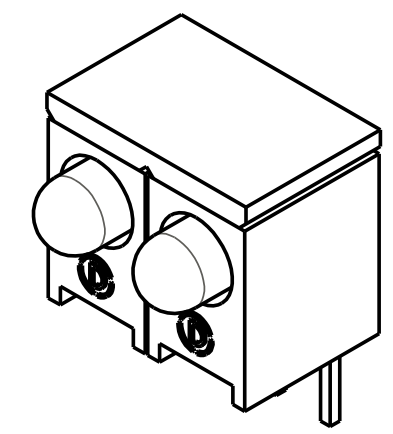
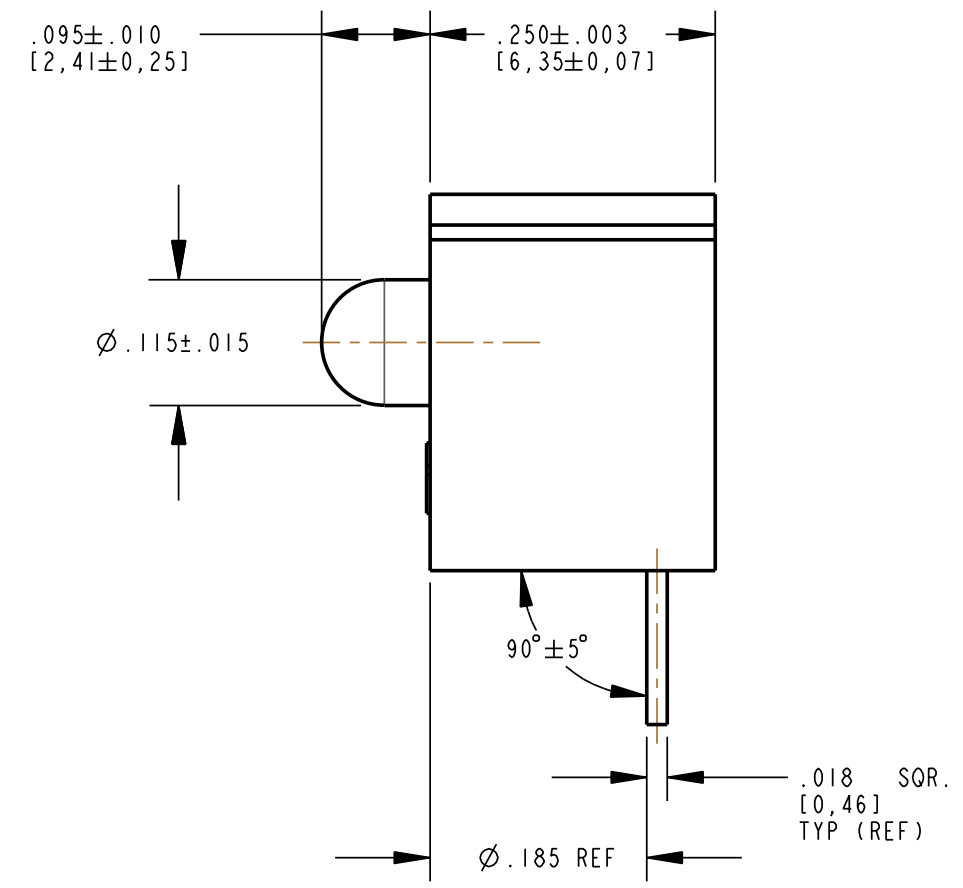
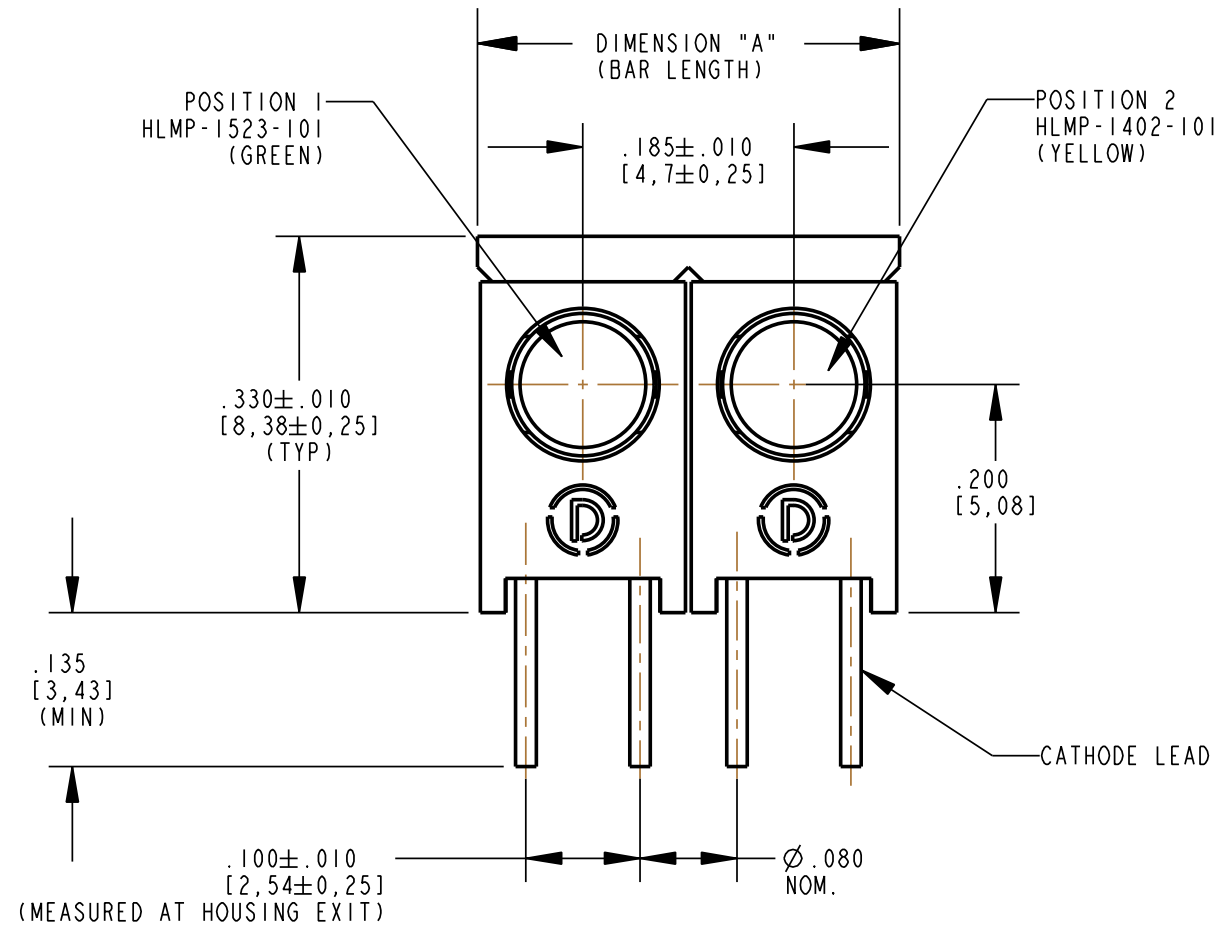


DIALIGHT PART NUMBER	NUMBER OF POSITIONS	DIMENSION "A" (BAR LENGTH) INCHES, (METRIC)	OPERATING CHARACTERISTICS @ T _a = 25°C								
			COLOR	VIEWING ANGLE	FORWARD VOLTAGE (V)		REVERSE VOLTAGE	PEAK WAVELENGTH (nm)	LUMINOUS INTENSITY (mc d)		TEST CONDITIONS
					TYP	MAX		TYP	MIN	TYP	
HLMP-1523-802	2	.363±.017 (9.22±0.43)	POSITION 1 GREEN	60°	2.1	2.7	5V @ I _r = 100mA	565	2.6	7.0	I _f = 10ma
			POSITION 2 YELLOW	60°	2.0	2.4	5V @ I _r = 100mA	583	3.6	7.0	I _f = 10ma

REV	ECN NO	REVISIONS	DRN	CKD	APP	DATE
A		NEW RELEASE	TWC			

ABSOLUTE MAXIMUM RATINGS AT 25°C AMBIENT		
	HLMP-1523-101	HLMP-1402-101
LINEAR DERATION FROM 50°C	0.5 mA/°C	0.2 mA/°C
D.C. FORWARD CURRENT	30 mA	20 mA
OPERATING TEMPERATURE	-20°C TO 100°C	-55°C TO 100°C
STORAGE TEMPERATURE	-55°C TO 100°C	-55°C TO 100°C
LEAD SOLDERING TEMPERATURE	260°C FOR 5 SEC	260°C FOR 5 SEC



THIS DRAWING AND THE CONTENTS HEREIN ARE CONFIDENTIAL AND THE SOLE PROPERTY OF DIALIGHT. REPRODUCTION OF THIS DRAWING OR CONSTRUCTION OF ANY PARTS WITHIN THIS DRAWING ARE FORBIDDEN WITHOUT THE WRITTEN CONSENT OF DIALIGHT.		
SCALE: 4.000	DRAWING NUMBER	REV
ALL DIM'S IN: INCHES (MM)	C-17226	A
TOLERANCES: UNLESS OTHERWISE SPECIFIED	TITLE Ø3.00 mm CBI 2 POSITION ARRAY, GREEN, YELLOW	
FRACTIONS: ±1/64	MATERIAL	
DECIMALS (.XX): ±.01		
DECIMALS (.XXX): ±.005		
DECIMALS (.XXXX): ±.0005		
ANGLES: ±1°		
FINISH:		
FSCM 83330	Dialight 1501 ROUTE 34 SOUTH FARMINGDALE, NJ 07727	
	SHEET 1 OF 1	FAMILY TABLE: