



ABS: no UL certificate

### Technical data

**Material:**

Polycarbonate

ABS

**Colour:**

RAL 7035, light grey

special colour on request

**Ingress protection:**

IP 66 to EN 60529 (03./09.08 23 09: IP 65)

**Surface resistance:**

PC:  $>10^{15}$  Ohm / IEC 60093

ABS:  $4 \times 10^{14}$  Ohm / IEC 60093

**Disruptive strength:**

PC:  $>30$  KV/mm IEC 60243-1

ABS:  $24$  KV/mm IEC 60243-1

**Impact resistance:**

7 Joule to EN 60079-0

**Insulation:**

fully insulated to VDE 0100

**Flammability:**

PC: UL 94 V-2

ABS: UL 94 HB

**Toxicity:**

halogen-free

**Temperature range:**

PC: CR (chloroprene) seal:  $-40^{\circ}\text{C}$  to  $+100^{\circ}\text{C}$

ABS: CR (chloroprene) seal:  $-40^{\circ}\text{C}$  to  $+60^{\circ}\text{C}$

- Light plastic enclosure for industrial applications
- Polycarbonate enclosure with standard or transparent lid
- ABS enclosure with standard lid
- Optional: EMC version coated

### Included in delivery

Plastic enclosure consisting of lid, seal, incl. captive +/- stainless steel screws, base with 2 self-tapping fastening screws for internal mounting

# Polycarbonate / ABS

## Product range

| Order No.<br>Polycarbonate<br>enclosure | Order No.<br>Polycarbonate<br>enclosure with<br>transparent lid | Order No.<br>ABS<br>enclosure | Dimensions<br>(mm)<br><br>W x L x H | DIN rail |       | External<br>mounting<br>brackets | Mounting<br>plate<br>Pertinax<br>thickness<br>in mm | Silicone<br>lid seal<br>up to<br>+130° | Table<br>feet<br>rubber | PC external<br>hinge<br>approx.<br>150°<br>1) | Sealable<br>lid screws<br>2) | EMC version<br>aluminized |
|---|---|-------------------------------|-------------------------------------|----------|-------|----------------------------------|---|--|-------------------------|---|------------------------------|---------------------------|
|   |   |                               |                                     | TS 15    | TS 35 |                                  |   |  |                         |   |                              |                           |
| <b>03.05 05 04</b>                      | <b>33.05 05 04</b>  | <b>09.05 05 04</b>            | 50 x 52 x 35                        |          |       |                                  | 1,5   |  |                         |   |                              | •                         |
| <b>03.05 07 04</b>                      | <b>33.05 07 04</b>  | <b>09.05 07 04</b>            | 50 x 65 x 35                        | •        |       |                                  | 1,5   | •                                      |                         |   |                              | •                         |
| <b>03.08 08 06</b>                      | <b>33.08 08 06</b>  | <b>09.08 08 06</b>            | 80 x 82 x 55                        | •        |       | •                                | 1,5   | •                                      | •                       |   | •                            | •                         |
| <b>03.08 08 09</b>                      | <b>33.08 08 09</b>  | <b>09.08 08 09</b>            | 80 x 82 x 85                        | •        |       | •                                | 1,5   | •                                      | •                       |   | •                            | •                         |
| <b>03.08 12 06</b>                      | <b>33.08 12 06</b>  | <b>09.08 12 06</b>            | 80 x 120 x 55                       | •        |       | •                                | 1,5   | •                                      | •                       | •   | •                            | •                         |
| <b>03.08 12 09</b>                      | <b>33.08 12 09</b>  | <b>09.08 12 09</b>            | 80 x 120 x 85                       | •        |       | •                                | 1,5   | •                                      | •                       | •   | •                            | •                         |
| <b>03.08 16 06</b>                      | <b>33.08 16 06</b>  | <b>09.08 16 06</b>            | 80 x 160 x 55                       | •        |       | •                                | 1,5   | •                                      | •                       | •   | •                            | •                         |
| <b>03.08 16 09</b>                      | <b>33.08 16 09</b>  | <b>09.08 16 09</b>            | 80 x 160 x 85                       | •        |       | •                                | 1,5   | •                                      | •                       | •   | •                            | •                         |
| <b>03.08 23 09</b>                      |   | <b>09.08 23 09</b>            | 80 x 230 x 85                       | •        |       | •                                | 1,5   | •                                      | •                       | •   | •                            | •                         |
| <b>03.12 12 06</b>                      | <b>33.12 12 06</b>  | <b>09.12 12 06</b>            | 120 x 122 x 55                      |          | •     | •                                | 2   | •                                      | •                       | •   | •                            | •                         |
| <b>03.12 12 09</b>                      | <b>33.12 12 09</b>  | <b>09.12 12 09</b>            | 120 x 122 x 85                      |          | •     | •                                | 2   | •                                      | •                       | •   | •                            | •                         |
| <b>03.12 12 11</b>                      | <b>33.12 12 11</b>  | <b>09.12 12 11</b>            | 120 x 122 x 105                     |          | •     | •                                | 2   | •                                      | •                       | •   | •                            | •                         |
| <b>03.12 16 09</b>                      | <b>33.12 16 09</b>  | <b>09.12 16 09</b>            | 120 x 160 x 90                      |          | •     | •                                | 2   | •                                      | •                       | •   | •                            | •                         |
| <b>03.12 16 14</b>                      | <b>33.12 16 14</b>  | <b>09.12 16 14</b>            | 120 x 160 x 140                     |          | •     | •                                | 2   | •                                      | •                       | •   | •                            | •                         |
| <b>03.12 20 08</b>                      | <b>33.12 20 08</b>  | <b>09.12 20 08</b>            | 120 x 200 x 75                      |          | •     | •                                | 2   | •                                      | •                       | •   | •                            | •                         |
| <b>03.12 20 09</b>                      | <b>33.12 20 09</b>  | <b>09.12 20 09</b>            | 120 x 200 x 90                      |          | •     | •                                | 2   | •                                      | •                       | •   | •                            | •                         |
| <b>03.12 24 10</b>                      | <b>33.12 24 10</b>  | <b>09.12 24 10</b>            | 120 x 240 x 100                     |          | •     | •                                | 2   | •                                      | •                       | •   | •                            | •                         |
| <b>03.15 20 08</b>                      | <b>33.15 20 08</b>  | <b>09.15 20 08</b>            | 150 x 200 x 75                      |          | •     | •                                | 2   | •                                      | •                       | •   | •                            | •                         |
| <b>03.16 24 09</b>                      | <b>33.16 24 09</b>  | <b>09.16 24 09</b>            | 160 x 240 x 90                      |          | •     | •                                | 2,5 <sup>3)</sup>                                   | •                                      | •                       | •   | •                            | •                         |
| <b>03.16 24 12</b>                      | <b>33.16 24 12</b>  | <b>09.16 24 12</b>            | 160 x 240 x 120                     |          | •     | •                                | 2,5   | •                                      | •                       | •   | •                            | •                         |
| <b>03.16 36 10</b>                      | -   | <b>09.16 36 10</b>            | 160 x 360 x 100                     |          | •     | •                                | 2,5   | •                                      | •                       | •   | •                            | •                         |
| <b>03.20 36 15</b>                      | <b>33.20 36 15</b>  | <b>09.20 36 15</b>            | 200 x 360 x 149                     |          | •     |                                  | 2,5   | •                                      | •                       | •   | •                            | •                         |
| <b>03.23 30 09</b>                      | <b>33.23 30 09</b>  | <b>09.23 30 09</b>            | 230 x 300 x 85                      |          | •     | •                                | 2   | •                                      | •                       | •   | •                            | •                         |
| <b>03.23 30 11</b>                      | <b>33.23 30 11</b>  | <b>09.23 30 11</b>            | 230 x 300 x 110                     |          | •     | •                                | 2   | •                                      | •                       | •   | •                            | •                         |
| -                                       | -   | <b>09.40 36 15</b>            | 400 x 360 x 150                     |          | •     |                                  | 2,5 <sup>3)</sup>                                   | •                                      | •                       | •   | •                            | •                         |

1) Please quote mounting side A-D when ordering.

2) Stainless steel

3) Galvanized sheet steel

Transparent lid for ABS enclosure not available.

## Accessories

|  |                    |
|--|--------------------|
| Small table feet (for sizes up to xx.15 20 08) | <b>10.03 40 01</b> |
| Small table feet (for sizes up to xx.16 24 19) | <b>10.03 40 02</b> |
| Threaded inserts M4 (10 pcs.)                  | <b>10.03 70 04</b> |
| Threaded inserts M3 (10 pcs.)                  | <b>10.03 70 03</b> |
| Set of external hinges (2 pcs.)                | <b>10.02 12 01</b> |

Terminal mounting

| Make                                  | Phoenix   |             |             |          |          |        |        |        |         |         |       |        |        |         |         | Earthing bar 2.5 mm <sup>2</sup> with cable lug max. 10 mm <sup>2</sup> | Earthing screw M4 with cable lug max. 6 mm <sup>2</sup> | M6 with cable lug max. 35 mm <sup>2</sup> | Earth connections as required |
|---------------------------------------|-----------|-------------|-------------|----------|----------|--------|--------|--------|---------|---------|-------|--------|--------|---------|---------|---|---|---|-------------------------------|
| DIN rail TS 15                        | X         | X           | X           |          |          |        |        |        |         |         |       |        |        |         |         |   |   |   |                               |
| DIN rail TS 35                        |           |             |             | X        | X        | X      | X      | X      | X       | X       | X     | X      | X      | X       | X       |   |   |   |                               |
| Voltage (V)                           | 250       | 500         | 500         | 500      | 800      | 800    | 800    | 800    | 800     | 800     | 800   | 1000   | 1000   | 1000    | 1000    |   |   |   |                               |
| Current (A)                           | 24        | 24          | 32          | 17,5     | 24       | 24     | 32     | 41     | 57      | 76      | 125   | 150    | 232    | 309     | 415     |   |   |   |                               |
| Nom. cross section (mm <sup>2</sup> ) | 2,5       | 2,5         | 4           | 1,5      | 2,5      | 2,5    | 4      | 6      | 10      | 16      | 35    | 50     | 95     | 150     | 240     |   |   |   |                               |
| Terminal width (mm)                   | 5,2       | 5,2         | 6,2         | 4,2      | 5,2      | 5,2    | 6,2    | 8,2    | 10,2    | 12,2    | 16    | 20     | 25     | 31      | 36      |   |   |   |                               |
| Terminal type                         |           |             |             |          |          |        |        |        |         |         |       |        |        |         |         |   |   |   |                               |
| Type                                  | MBK 2,5 E | MBK 3 / E-Z | MBK 5 / E-Z | UK 1,5 N | UK 2,5 N | UK 3 N | UK 5 N | UK 6 N | UK 10 N | UK 16 N | UK 35 | UKH 50 | UKH 95 | UKH 150 | UKH 240 |   |   |   |                               |
| <b>03/09/33.05 05 04</b>              |           |             |             |          |          |        |        |        |         |         |       |        |        |         |         |   |   |   |                               |
| <b>03/09/33.05 07 04</b>              |           |             |             |          |          |        |        |        |         |         |       |        |        |         |         |   |   | 1   |                               |
| <b>03/09/33.08 08 06</b>              | 7         | 7           | 5           | 6        | 5        |        |        |        |         |         |       |        |        |         |         |   |   | 2   |                               |
| <b>03/09/33.08 08 09</b>              | 7         | 7           | 5           | 6        | 5        | 5      | 4      | 3      | 2       | 2       | 2     |        |        |         |         |   |   | 2   |                               |
| <b>03/09/33.08 12 06</b>              | 14        | 14          | 11          | 15       | 12       |        |        |        |         |         |       |        |        |         |         |   |   | 2   |                               |
| <b>03/09/33.08 12 09</b>              | 14        | 14          | 11          | 15       | 12       | 12     | 10     | 8      | 6       | 5       | 4     |        |        |         |         |   |   | 2   |                               |
| <b>03/09/33.08 16 06</b>              | 22        | 22          | 18          | 25       | 20       |        |        |        |         |         |       |        |        |         |         |   |   | 2   |                               |
| <b>03/09/33.08 16 09</b>              | 22        | 22          | 18          | 25       | 20       | 20     | 17     | 13     | 10      | 8       | 7     |        |        |         |         |   |   | 2   |                               |
| <b>03/09/33.08 23 09</b>              | 36        | 36          | 28          | 43       | 34       | 34     | 29     | 22     | 17      | 14      | 12    |        |        |         |         |   |   | 2   |                               |
| <b>03/09/33.12 12 06</b>              | 15        | 15          | 12          | 16       | 13       |        |        |        |         |         |       |        |        |         |         |   |   | 2   |                               |
| <b>03/09/33.12 12 09</b>              | 15        | 15          | 12          | 16       | 13       | 13     | 11     | 8      | 6       | 5       | 4     |        |        |         |         |   |   | 2   |                               |
| <b>03/09/33.12 12 11</b>              | 15        | 15          | 12          | 16       | 13       | 13     | 11     | 8      | 6       | 5       | 4     | 3      |        |         |         |   |   | 2   |                               |
| <b>03/09/33.12 16 09</b>              | 22        | 22          | 18          | 25       | 20       | 20     | 17     | 13     | 10      | 8       | 7     |        |        |         |         |   |   | 2   |                               |
| <b>03/09/33.12 16 14</b>              | 22        | 22          | 18          | 25       | 20       | 20     | 17     | 13     | 10      | 8       | 7     | 5      | 4      |         |         |   | 5   | 4   |                               |
| <b>03/09/33.12 20 08</b>              | 30        | 30          | 24          | 35       | 28       | 28     | 23     | 17     | 14      | 12      |       |        |        |         |         |   | 13  | 4   |                               |
| <b>03/09/33.12 20 09</b>              | 30        | 30          | 24          | 35       | 28       | 28     | 23     | 17     | 14      | 12      | 9     |        |        |         |         |   | 8   | 4   |                               |
| <b>03/09/33.12 24 10</b>              | 38        | 38          | 30          | 45       | 36       | 36     | 30     | 23     | 18      | 15      | 12    | 9      |        |         |         |   | 16  | 4   |                               |
| <b>03/09/33.15 20 08</b>              | 30        | 30          | 24          | 31       | 25       | 25     | 21     | 15     | 12      | 10      |       |        |        |         |         |   | 23  | 4   |                               |
| <b>03/09/33.16 24 09</b>              | 38        | 38          | 30          | 44       | 35       | 35     | 30     | 22     | 18      | 15      | 12    |        |        |         |         |   | 38  | 4   |                               |
| <b>03/09/33.16 24 12</b>              | 38        | 38          | 30          | 44       | 35       | 35     | 30     | 22     | 18      | 15      | 12    | 9      | 7      |         |         |   | 16  | 4   |                               |
| <b>03/09/33.16 36 10</b>              | 60        | 60          | 50          | 71       | 57       | 57     | 48     | 36     | 29      | 24      | 19    |        |        |         |         |   | 16  | 4   |                               |
| <b>03/09/33.20 36 15</b>              | 60        | 60          | 50          | 71       | 57       | 57     | 48     | 36     | 29      | 24      | 19    | 15     | 12     | 9       |         |   | 26  | 4   |                               |
| <b>03/09/33.23 30 09</b>              | 48        | 48          | 40          | 58       | 47       | 47     | 40     | 30     | 24      | 20      | 16    |        |        |         |         |   | 26  | 4   |                               |
| <b>03/09/33.23 30 11</b>              | 48        | 48          | 40          | 58       | 47       | 47     | 40     | 30     | 24      | 20      | 16    | 12     |        |         |         |   | 38  | 4   |                               |
| <b>09.40 36 15 (A/B)</b>              | 61*       | 61*         | 51*         | 74*      | 59*      | 59*    | 50*    | 37*    | 30*     | 25*     | 20*   | 15*    | 12     | 10      |         |   | 23  | 4   |                               |
| <b>09.40 36 15 (C/D)</b>              | 53**      | 53**        | 44**        | 64**     | 52**     | 52**   | 43**   | 33**   | 26**    | 22**    | 17**  | 13*    | 10     | 8       |         |   | 26  | 4   |                               |

\* 2 DIN rails possible = double number of terminals

\*\* 3 DIN rails possible = triple number of terminals

# Polycarbonate

## Terminal mounting

| Make                                  | Weidmüller    |               |                 |                 |         |         |       |           |         |       |       |        |        |        |          |          |             |                |               |         |
|---------------------------------------|---------------|---------------|-----------------|-----------------|---------|---------|-------|-----------|---------|-------|-------|--------|--------|--------|----------|----------|-------------|----------------|---------------|---------|
| DIN rail TS 15                        |               |               |                 | X               | X       | X       | X     |           |         |       |       |        |        |        |          |          |             |                |               |         |
| DIN rail TS 35                        |               |               |                 |                 |         |         |       | X         | X       | X     | X     | X      | X      | X      | X        | X        | X           | X              | X             | X       |
| Voltage (V)                           | 400           | 400           | 400             | 400             | 250     | 250     | 400   | 500       | 800     | 800   | 800   | 1000   | 1000   | 1000   | 1000     | 1000     | 1000        | 1000           | 1000          | 1000    |
| Current (A)                           | 32            | 32            | 32              | 17,5            | 17,5    | 24      | 32    | 24        | 24      | 32    | 41    | 57     | 76     | 125    | 150      | 192      | 232         | 269            | 309           | 415     |
| Nom. cross section (mm <sup>2</sup> ) | 4             | 4             | 4               | 1,5             | 1,5     | 2,5     | 4     | 2,5       | 2,5     | 4     | 6     | 10     | 16     | 35     | 50       | 70       | 95          | 120            | 150           | 240     |
| Terminal width (mm)                   | 38            | 52            | 92              | 3,5             | 5,1     | 5,1     | 6,1   | 5,1       | 5,1     | 6,1   | 7,9   | 9,9    | 11,9   | 16     | 18,5     | 20,5     | 27          | 27             | 32            | 36      |
| Terminal type                         |               |               |                 |                 |         |         |       |           |         |       |       |        |        |        |          |          |             |                |               |         |
| Type                                  | BK 4 (4-pole) | BK 6 (6-pole) | BK 12 (12-pole) | WDU 1,5 / R 3,5 | AKZ 1,5 | AKZ 2,5 | AKZ 4 | WDU 2,5 N | WDU 2,5 | WDU 4 | WDU 6 | WDU 10 | WDU 16 | WDU 35 | WDU 50 N | WDU 70 N | WDU 70 / 95 | WDU 95 / 120 N | WDU 120 / 150 | WDU 240 |
| 03/09/33.05 05 04                     | 1             |               |                 |                 |         |         |       |           |         |       |       |        |        |        |          |          |             |                |               |         |
| 03/09/33.05 07 04                     | 1             |               |                 |                 |         |         |       |           |         |       |       |        |        |        |          |          |             |                |               |         |
| 03/09/33.08 08 06                     | 1             | 1             |                 | 5               | 5       | 4       | 8     |           | 6       |       |       |        |        |        |          |          |             |                |               |         |
| 03/09/33.08 08 09                     | 1             | 1             |                 | 5               | 5       | 4       | 8     |           | 6       |       |       |        |        |        |          |          |             |                |               |         |
| 03/09/33.08 12 06                     |               |               |                 | 12              | 12      | 10      | 18    |           | 13      |       |       |        |        |        |          |          |             |                |               |         |
| 03/09/33.08 12 09                     |               |               |                 | 12              | 12      | 10      | 18    |           | 13      |       |       |        |        |        |          |          |             |                |               |         |
| 03/09/33.08 16 06                     |               |               |                 | 20              | 20      | 17      | 30    |           | 21      |       |       |        |        |        |          |          |             |                |               |         |
| 03/09/33.08 16 09                     |               |               |                 | 20              | 20      | 17      | 30    |           | 21      |       |       |        |        |        |          |          |             |                |               |         |
| 03/09/33.08 23 09                     |               |               |                 | 35              | 35      | 29      | 31    |           | 35      |       |       |        |        |        |          |          |             |                |               |         |
| 03/09/33.12 12 06                     |               |               |                 | 13              | 13      | 11      | 20    |           | 14      |       |       |        |        |        |          |          |             |                |               |         |
| 03/09/33.12 12 09                     |               |               |                 | 13              | 13      | 11      | 20    | 14        | 14      | 12    | 9     | 7      | 5      | 4      |          |          |             |                |               |         |
| 03/09/33.12 12 11                     |               |               |                 | 13              | 13      | 11      | 20    | 14        | 14      | 12    | 9     | 7      | 5      | 4      | 4        | 3        |             |                |               |         |
| 03/09/33.12 16 09                     |               |               |                 | 20              | 20      | 17      | 30    | 21        | 21      | 18    | 13    | 11     | 8      | 6      |          |          |             |                |               |         |
| 03/09/33.12 16 14                     |               |               |                 | 20              | 20      | 17      | 30    | 21        | 21      | 18    | 13    | 11     | 8      | 6      | 6        | 5        |             |                |               |         |
| 03/09/33.12 20 08                     |               |               |                 | 28              | 28      | 23      | 41    | 29        | 29      | 24    | 18    | 15     |        |        |          |          |             |                |               |         |
| 03/09/33.12 20 09                     |               |               |                 | 28              | 28      | 23      | 41    | 29        | 29      | 24    | 18    | 15     | 11     | 8      |          |          |             |                |               |         |
| 03/09/33.12 24 10                     |               |               |                 | 36              | 36      | 30      | 53    | 37        | 37      | 31    | 24    | 19     | 15     | 11     | 9        |          |             |                |               |         |
| 03/09/33.15 20 08                     |               |               |                 | 25              | 25      | 21      | 37    | 26        | 26      | 21    | 18    | 13     |        |        |          |          |             |                |               |         |
| 03/09/33.16 24 09                     |               |               |                 | 36              | 36      | 30      | 53    | 37        | 37      | 31    | 24    | 19     | 15     | 11     |          |          |             |                |               |         |
| 03/09/33.16 24 12                     |               |               |                 | 36              | 36      | 30      | 53    | 37        | 37      | 31    | 24    | 19     | 15     | 11     | 10       | 9        |             |                |               |         |
| 03/09/33.16 36 10                     |               |               |                 | 58              | 58      | 49      | 85    | 59        | 59      | 49    | 38    | 30     | 24     | 18     |          |          |             |                |               |         |
| 03/09/33.20 36 15                     |               |               |                 | 58              | 58      | 49      | 85    | 59        | 59      | 49    | 38    | 30     | 24     | 18     | 17       | 14       | 11          |                |               |         |
| 03/09/33.23 30 09                     |               |               |                 | 48              | 48      | 40      | 70    | 48        | 48      | 40    | 31    | 25     | 20     | 15     |          |          |             |                |               |         |
| 03/09/33.23 30 11                     |               |               |                 | 48              | 48      | 40      | 70    | 48        | 48      | 40    | 31    | 25     | 20     | 15     | 14       | 11       |             |                |               |         |
| 09.40 36 15 (A/B)                     |               |               |                 | 60*             | 60*     | 50*     | 88*   | 61*       | 61*     | 51*   | 39*   | 31*    | 25*    | 19*    | 16*      | 15       | 11          |                |               |         |
| 09.40 36 15 (C/D)                     |               |               |                 | 52**            | 52**    | 44**    | 77**  | 53**      | 53**    | 44**  | 34**  | 27**   | 22*    | 16*    | 14*      | 13       | 9           |                |               |         |

\* 2 DIN rails possible = double number of terminals

\*\* 3 DIN rails possible = triple number of terminals

Earthing bar and earth connection see terminal mounting Phoenix

Accessories



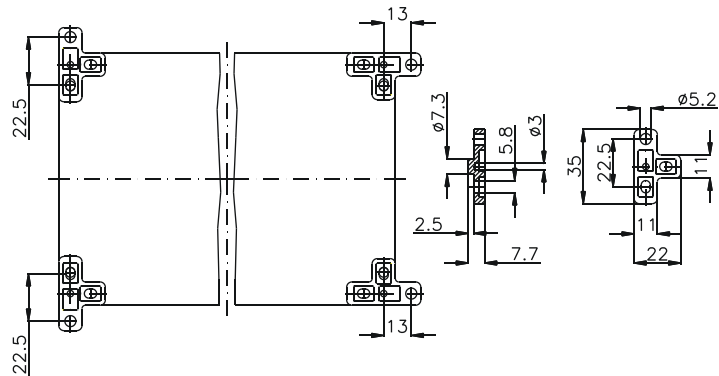
**Mounting plate**  
for fitting electro-mechanical components

| Order No.          | for enclosure type | Order No.          | for enclosure type |
|--------------------|--------------------|--------------------|--------------------|
| <b>10.01 20 01</b> | 03/09/33.05 05 04  | <b>10.01 20 07</b> | 03/09/33.12 16 14  |
| <b>10.01 20 02</b> | 03/09/33.05 07 04  | <b>10.01 20 08</b> | 03/09/33.12 20 08  |
| <b>10.01 20 03</b> | 03/09/33.08 08 06  | <b>10.01 20 08</b> | 03/09/33.12 20 09  |
| <b>10.01 20 03</b> | 03/09/33.08 08 09  | <b>10.01 20 09</b> | 03/09/33.12 24 10  |
| <b>10.01 20 04</b> | 03/09/33.08 12 06  | <b>10.01 20 10</b> | 03/09/33.15 20 08  |
| <b>10.01 20 04</b> | 03/09/33.08 12 09  | <b>10.01 20 11</b> | 03/09/33.16 24 09  |
| <b>10.01 20 05</b> | 03/09/33.08 16 06  | <b>10.01 20 11</b> | 03/09/33.16 24 12  |
| <b>10.01 20 05</b> | 03/09/33.08 16 09  | <b>10.01 20 12</b> | 03/09/33.16 36 10  |
| <b>10.01 20 16</b> | 03/09/33.08 23 09  | <b>10.01 20 13</b> | 03/09/33.20 36 15  |
| <b>10.01 20 06</b> | 03/09/33.12 12 06  | <b>10.01 20 14</b> | 03/09/33.23 30 09  |
| <b>10.01 20 06</b> | 03/09/33.12 12 09  | <b>10.01 20 14</b> | 03/09/33.23 30 11  |
| <b>10.01 20 06</b> | 03/09/33.12 12 11  | <b>10.01 20 15</b> | 03/09/33.40 36 15  |
| <b>10.01 20 07</b> | 03/09/33.12 16 09  |                    |                    |



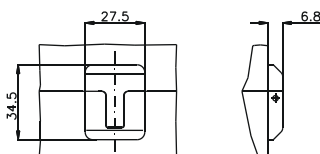
**External mounting brackets (set = 4 pcs.)**

Order No. **10.03 12 01**



**External hinge (set = 2 pcs.)**

Order No. **10.02 12 01**



**Threaded inserts**

Order No.

|                    |  |
|--------------------|--|
| <b>10.03 70 03</b> | Set with 10 pcs. M3  |
| <b>10.03 70 04</b> | Set with 10 pcs. M4<br>only for enclosure ...16 36 10;<br>...20 36 15; ...40 36 15 |

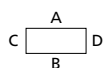
Type: . . .05 05 04

External dimensions: 50 x 52 x 35 mm

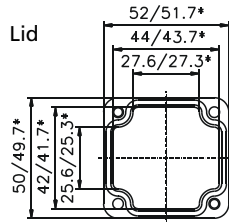
Weight: 70 g

|                       |                           |                                  |                            |                     |             |                               |                   |                             |
|-----------------------|---------------------------|----------------------------------|----------------------------|---------------------|-------------|-------------------------------|-------------------|-----------------------------|
| DIN rail length in mm | max. fitting length in mm | Mounting plate (thickness in mm) | External mounting brackets | External hinge* set | EMC version | Self-adhesive rubber feet set | Silicone lid seal | Sealable lid screw in steel |
|                       |                           | 1,5                              |                            |                     | •           |                               |                   |                             |

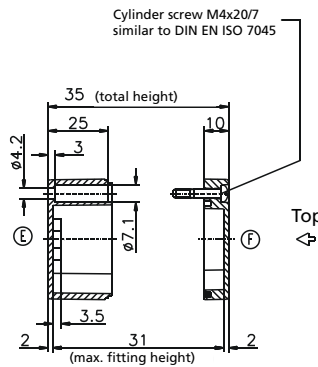
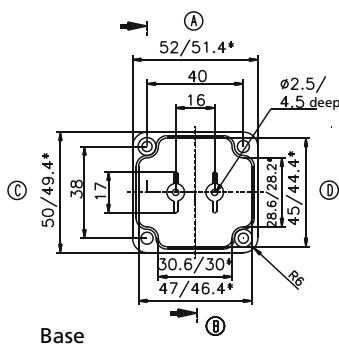
Maximum number of cable glands to DIN 50262\*



| M  | Corner dim. | Side |     | PG   | Corner dim. | Side |     |
|----|-------------|------|-----|------|-------------|------|-----|
|    |             | A/B  | C/D |      |             | A/B  | C/D |
| 12 | 17,25       | 2    | 1   | 7    | 17,25       | 2    | 1   |
| 16 | 25,30       |      |     | 9    | 21,85       | 1    | 1   |
| 20 | 27,60       |      |     | 11   | 25,30       |      |     |
| 25 | 37,95       |      |     | 13,5 | 27,60       |      |     |
| 32 | 48,30       |      |     | 16   | 31,05       |      |     |
| 40 | 60,95       |      |     | 21   | 37,95       |      |     |
| 50 | 69,00       |      |     | 29   | 48,30       |      |     |
| 63 | 74,75       |      |     | 36   | 60,95       |      |     |
|    |             |      |     | 42   | 69,00       |      |     |
|    |             |      |     | 48   | 74,75       |      |     |



\* = Conical form tapering downwards  
Free dimensions-tolerance to DIN 16901 - 130



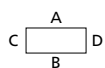
Type: . . .05 07 04

External dimensions: 50 x 65 x 35 mm

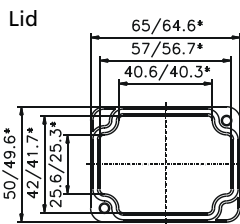
Weight: 74 g

|                       |                           |                                  |                            |                     |             |                               |                   |                             |
|-----------------------|---------------------------|----------------------------------|----------------------------|---------------------|-------------|-------------------------------|-------------------|-----------------------------|
| DIN rail length in mm | max. fitting length in mm | Mounting plate (thickness in mm) | External mounting brackets | External hinge* set | EMC version | Self-adhesive rubber feet set | Silicone lid seal | Sealable lid screw in steel |
| TS 15                 |                           | 1,5                              |                            |                     | •           |                               | •                 |                             |
| 45                    |                           |                                  |                            |                     |             |                               |                   |                             |

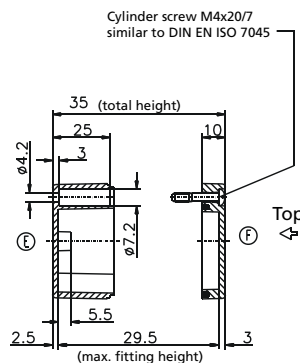
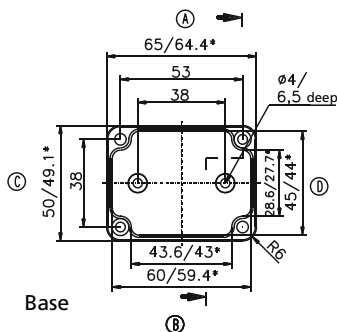
Maximum number of cable glands to DIN 50262\*



| M  | Corner dim. | Side |     | PG   | Corner dim. | Side |     |
|----|-------------|------|-----|------|-------------|------|-----|
|    |             | A/B  | C/D |      |             | A/B  | C/D |
| 12 | 17,25       | 2    | 2   | 7    | 17,25       | 2    | 2   |
| 16 | 25,30       |      |     | 9    | 21,85       | 2    | 1   |
| 20 | 27,60       |      |     | 11   | 25,30       |      |     |
| 25 | 37,95       |      |     | 13,5 | 27,60       |      |     |
| 32 | 48,30       |      |     | 16   | 31,05       |      |     |
| 40 | 60,95       |      |     | 21   | 37,95       |      |     |
| 50 | 69,00       |      |     | 29   | 48,30       |      |     |
| 63 | 74,75       |      |     | 36   | 60,95       |      |     |
|    |             |      |     | 42   | 69,00       |      |     |
|    |             |      |     | 48   | 74,75       |      |     |



\* = Conical form tapering downwards  
Free dimensions-tolerance to DIN 16901 - 130



\* Please quote mounting side

Type: . . .08 08 06

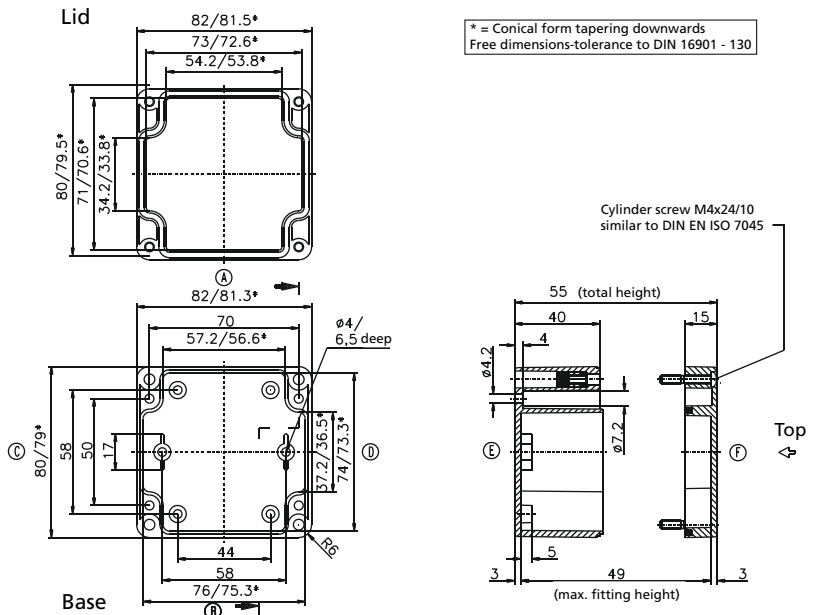
External dimensions: 80 x 82 x 55 mm

Weight: 200 g

|                       |                           |                                  |                            |                     |             |                               |                   |                             |
|-----------------------|---------------------------|----------------------------------|----------------------------|---------------------|-------------|-------------------------------|-------------------|-----------------------------|
| DIN rail length in mm | max. fitting length in mm | Mounting plate (thickness in mm) | External mounting brackets | External hinge* set | EMC version | Self-adhesive rubber feet set | Silicone lid seal | Sealable lid screw in steel |
| TS 15                 |                           |                                  |                            |                     |             |                               |                   |                             |
| 68                    | 56                        | 1,5                              | •                          |                     | •           | •                             | •                 | •                           |

Maximum number of cable glands to DIN 50262\*

| M  | Corner dim. | Side |     | PG   | Corner dim. | Side |     |
|----|-------------|------|-----|------|-------------|------|-----|
|    |             | A/B  | C/D |      |             | A/B  | C/D |
| 12 | 17,25       | 6    | 4   | 7    | 17,25       | 6    | 4   |
| 16 | 25,30       | 2    | 2   | 9    | 21,85       | 3    | 2   |
| 20 | 27,60       | 2    | 1   | 11   | 25,30       | 2    | 1   |
| 25 | 37,95       | 1    | 1   | 13,5 | 27,60       | 2    | 1   |
| 32 | 48,30       |      |     | 16   | 31,05       | 2    | 1   |
| 40 | 60,95       |      |     | 21   | 37,95       | 1    | 1   |
| 50 | 69,00       |      |     | 29   | 48,30       |      |     |
| 63 | 74,75       |      |     | 36   | 60,95       |      |     |
|    |             |      |     | 42   | 69,00       |      |     |
|    |             |      |     | 48   | 74,75       |      |     |



Type: . . .08 08 09

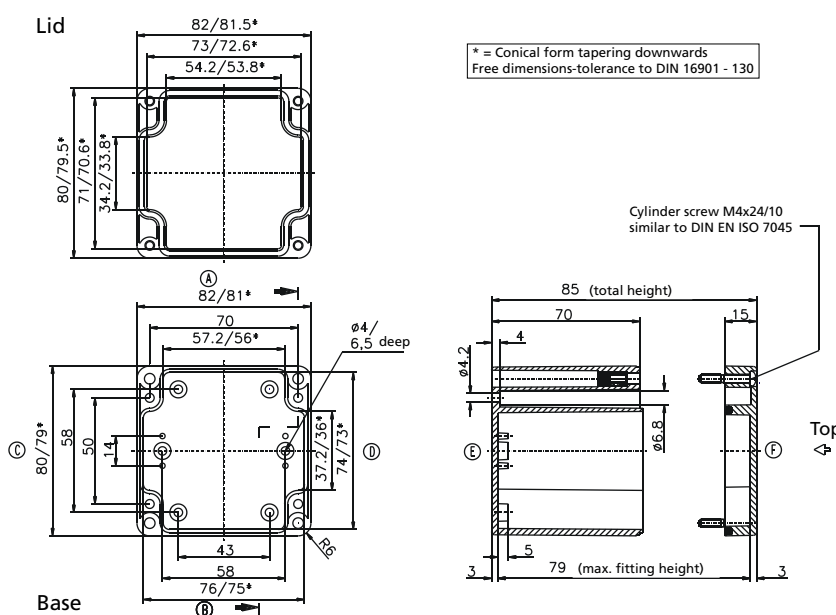
External dimensions: 80 x 82 x 85 mm

Weight: 250 g

|                       |                           |                                  |                            |                     |             |                               |                   |                             |
|-----------------------|---------------------------|----------------------------------|----------------------------|---------------------|-------------|-------------------------------|-------------------|-----------------------------|
| DIN rail length in mm | max. fitting length in mm | Mounting plate (thickness in mm) | External mounting brackets | External hinge* set | EMC version | Self-adhesive rubber feet set | Silicone lid seal | Sealable lid screw in steel |
| TS 15                 |                           |                                  |                            |                     |             |                               |                   |                             |
| 68                    | 56                        | 1,5                              | •                          |                     | •           | •                             | •                 | •                           |

Maximum number of cable glands to DIN 50262\*

| M  | Corner dim. | Side |     | PG   | Corner dim. | Side |     |
|----|-------------|------|-----|------|-------------|------|-----|
|    |             | A/B  | C/D |      |             | A/B  | C/D |
| 12 | 17,25       | 10   | 6   | 7    | 17,25       | 10   | 6   |
| 16 | 25,30       | 5    | 2   | 9    | 21,85       | 6    | 3   |
| 20 | 27,60       | 4    | 2   | 11   | 25,30       | 5    | 2   |
| 25 | 37,95       | 2    | 1   | 13,5 | 27,60       | 4    | 2   |
| 32 | 48,30       | 1    | 1   | 16   | 31,05       | 4    | 2   |
| 40 | 60,95       | 1    |     | 21   | 37,95       | 1    | 1   |
| 50 | 69,00       |      |     | 29   | 48,30       | 1    |     |
| 63 | 74,75       |      |     | 36   | 60,95       | 1    |     |
|    |             |      |     | 42   | 69,00       |      |     |
|    |             |      |     | 48   | 74,75       |      |     |



\* Please quote mounting side

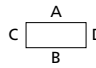
Type: . . .08 12 06

External dimensions: 80 x 120 x 55 mm

Weight: 240 g

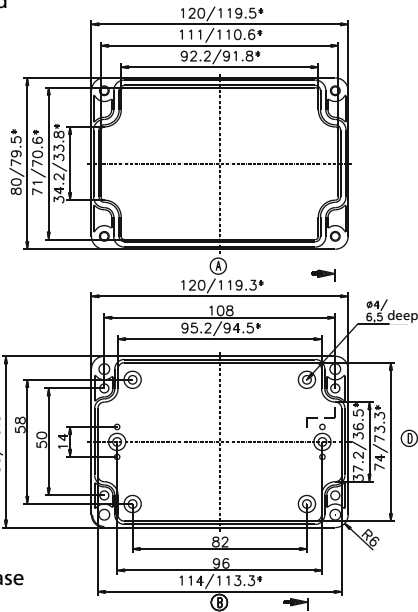
|                       |                           |                                  |                            |                     |             |                               |                   |                             |
|-----------------------|---------------------------|----------------------------------|----------------------------|---------------------|-------------|-------------------------------|-------------------|-----------------------------|
| DIN rail length in mm | max. fitting length in mm | Mounting plate (thickness in mm) | External mounting brackets | External hinge* set | EMC version | Self-adhesive rubber feet set | Silicone lid seal | Sealable lid screw in steel |
| TS 15                 |                           |                                  |                            |                     |             |                               |                   |                             |
| 110                   | 94                        | 1,5                              | •                          | •                   | •           | •                             | •                 | •                           |

Maximum number of cable glands to DIN 50262\*

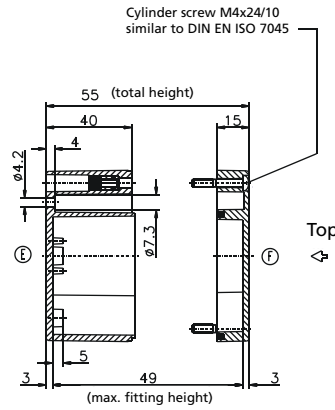


| M  | Corner dim. | Side |     | PG   | Corner dim. | Side |     |
|----|-------------|------|-----|------|-------------|------|-----|
|    |             | A/B  | C/D |      |             | A/B  | C/D |
| 12 | 17,25       | 10   | 3   | 7    | 17,25       | 10   | 3   |
| 16 | 25,30       | 4    | 1   | 9    | 21,85       | 6    | 2   |
| 20 | 27,60       | 3    | 1   | 11   | 25,30       | 4    | 1   |
| 25 | 37,95       | 2    |     | 13,5 | 27,60       | 3    | 1   |
| 32 | 48,30       |      |     | 16   | 31,05       | 3    | 1   |
| 40 | 60,95       |      |     | 21   | 37,95       | 2    |     |
| 50 | 69,00       |      |     | 29   | 48,30       |      |     |
| 63 | 74,75       |      |     | 36   | 60,95       |      |     |
|    |             |      |     | 42   | 69,00       |      |     |
|    |             |      |     | 48   | 74,75       |      |     |

Lid



\* = Conical form tapering downwards  
Free dimensions-tolerance to DIN 16901 - 130



Base

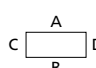
Type: . . .08 12 09

External dimensions: 80 x 120 x 85 mm

Weight: 280 g

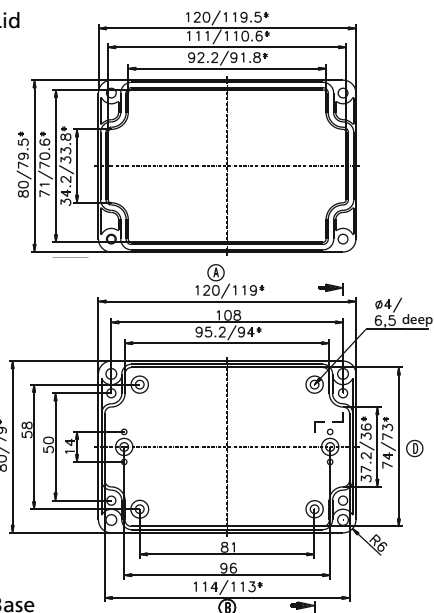
|                       |                           |                                  |                            |                     |             |                               |                   |                             |
|-----------------------|---------------------------|----------------------------------|----------------------------|---------------------|-------------|-------------------------------|-------------------|-----------------------------|
| DIN rail length in mm | max. fitting length in mm | Mounting plate (thickness in mm) | External mounting brackets | External hinge* set | EMC version | Self-adhesive rubber feet set | Silicone lid seal | Sealable lid screw in steel |
| TS 15                 |                           |                                  |                            |                     |             |                               |                   |                             |
| 110                   | 94                        | 1,5                              | •                          | •                   | •           | •                             | •                 | •                           |

Maximum number of cable glands to DIN 50262\*

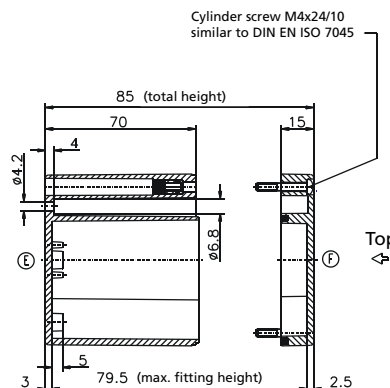


| M  | Corner dim. | Side |     | PG   | Corner dim. | Side |     |
|----|-------------|------|-----|------|-------------|------|-----|
|    |             | A/B  | C/D |      |             | A/B  | C/D |
| 12 | 17,25       | 16   | 6   | 7    | 17,25       | 16   | 6   |
| 16 | 25,30       | 8    | 2   | 9    | 21,85       | 11   | 3   |
| 20 | 27,60       | 6    | 2   | 11   | 25,30       | 8    | 2   |
| 25 | 37,95       | 3    | 1   | 13,5 | 27,60       | 6    | 2   |
| 32 | 48,30       | 2    | 1   | 16   | 31,05       | 6    | 2   |
| 40 | 60,95       | 1    |     | 21   | 37,95       | 3    | 1   |
| 50 | 69,00       |      |     | 29   | 48,30       | 2    |     |
| 63 | 74,75       |      |     | 36   | 60,95       | 1    |     |
|    |             |      |     | 42   | 69,00       |      |     |
|    |             |      |     | 48   | 74,75       |      |     |

Lid



\* = Conical form tapering downwards  
Free dimensions-tolerance to DIN 16901 - 130



Base

\* Please quote mounting side



Type: . . .08 16 06

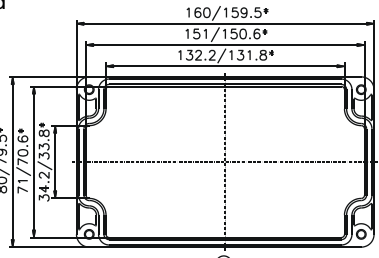
External dimensions: 80 x 160 x 55 mm

Weight: 270 g

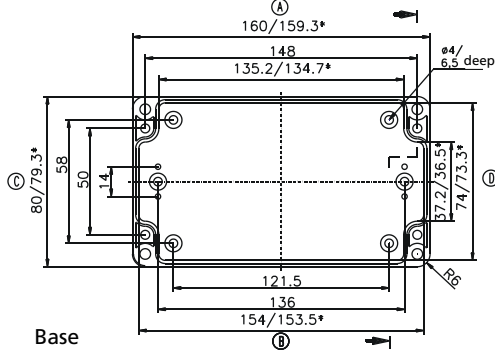
| DIN rail length in mm | max. fitting length in mm | Mounting plate (thickness in mm) | External mounting brackets | External hinge* set | EMC version | Self-adhesive rubber feet set | Silicone lid seal | Sealable lid screw in steel |
|-----------------------|---------------------------|----------------------------------|----------------------------|---------------------|-------------|-------------------------------|-------------------|-----------------------------|
| TS 15                 |                           |                                  |                            |                     |             |                               |                   |                             |
| 150                   | 134                       | 1,5                              | •                          | •                   | •           | •                             | •                 | •                           |

Maximum number of cable glands to DIN 50262\*

Lid

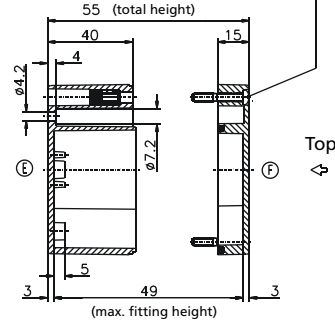


\* = Conical form tapering downwards  
Free dimensions-tolerance to DIN 16901 - 130



Base

Cylinder screw M4x24/10 similar to DIN EN ISO 7045



| M  | Corner dim. | Side |     | PG   | Corner dim. | Side |     |
|----|-------------|------|-----|------|-------------|------|-----|
|    |             | A/B  | C/D |      |             | A/B  | C/D |
| 12 | 17,25       | 16   | 4   | 7    | 17,25       | 14   | 4   |
| 16 | 25,30       | 6    | 2   | 9    | 21,85       | 8    | 2   |
| 20 | 27,60       | 5    | 1   | 11   | 25,30       | 6    | 1   |
| 25 | 37,95       | 3    | 1   | 13,5 | 27,60       | 5    | 1   |
| 32 | 48,30       |      |     | 16   | 31,05       | 4    | 1   |
| 40 | 60,95       |      |     | 21   | 37,95       | 3    |     |
| 50 | 69,00       |      |     | 29   | 48,30       |      |     |
| 63 | 74,75       |      |     | 36   | 60,95       |      |     |
|    |             |      |     | 42   | 69,00       |      |     |
|    |             |      |     | 48   | 74,75       |      |     |

Type: . . .08 16 09

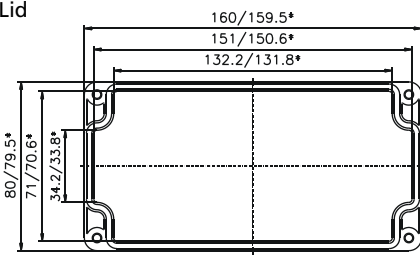
External dimensions: 80 x 160 x 85 mm

Weight: 340 g

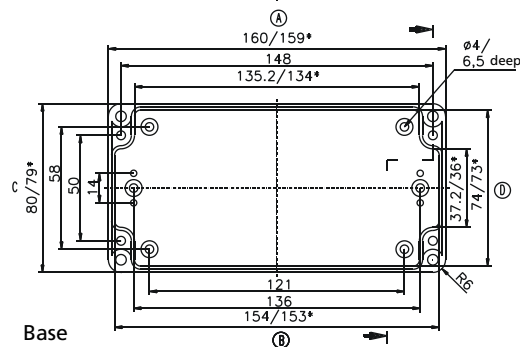
| DIN rail length in mm | max. fitting length in mm | Mounting plate (thickness in mm) | External mounting brackets | External hinge* set | EMC version | Self-adhesive rubber feet set | Silicone lid seal | Sealable lid screw in steel |
|-----------------------|---------------------------|----------------------------------|----------------------------|---------------------|-------------|-------------------------------|-------------------|-----------------------------|
| TS 15                 |                           |                                  |                            |                     |             |                               |                   |                             |
| 150                   | 134                       | 1,5                              | •                          | •                   | •           | •                             | •                 | •                           |

Maximum number of cable glands to DIN 50262\*

Lid

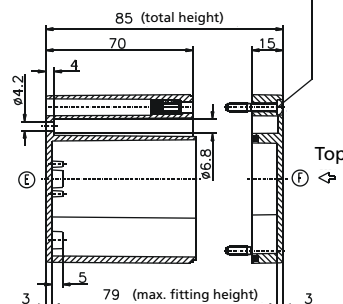


\* = Conical form tapering downwards  
Free dimensions-tolerance to DIN 16901 - 130



Base

Cylinder screw M4x24/10 similar to DIN EN ISO 7045



| M  | Corner dim. | Side |     | PG   | Corner dim. | Side |     |
|----|-------------|------|-----|------|-------------|------|-----|
|    |             | A/B  | C/D |      |             | A/B  | C/D |
| 12 | 17,25       | 28   | 6   | 7    | 17,25       | 28   | 6   |
| 16 | 25,30       | 14   | 3   | 9    | 21,85       | 18   | 4   |
| 20 | 27,60       | 9    | 2   | 11   | 25,30       | 12   | 2   |
| 25 | 37,95       | 5    | 1   | 13,5 | 27,60       | 9    | 2   |
| 32 | 48,30       | 3    | 1   | 16   | 31,05       | 8    | 2   |
| 40 | 60,95       | 2    |     | 21   | 37,95       | 5    | 1   |
| 50 | 69,00       | 2    |     | 29   | 48,30       | 3    |     |
| 63 | 74,75       |      |     | 36   | 60,95       | 2    |     |
|    |             |      |     | 42   | 69,00       | 2    |     |
|    |             |      |     | 48   | 74,75       |      |     |

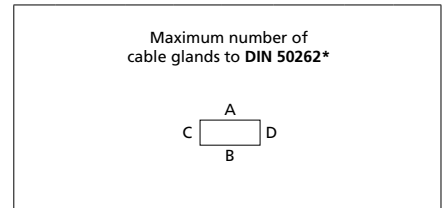
\* Please quote mounting side

Type: . . .08 23 09

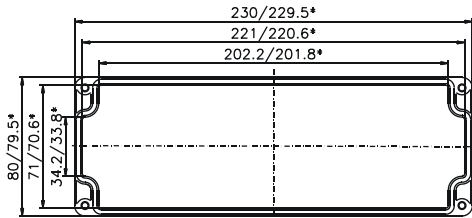
External dimensions: 80 x 230 x 85 mm

Weight: 600 g

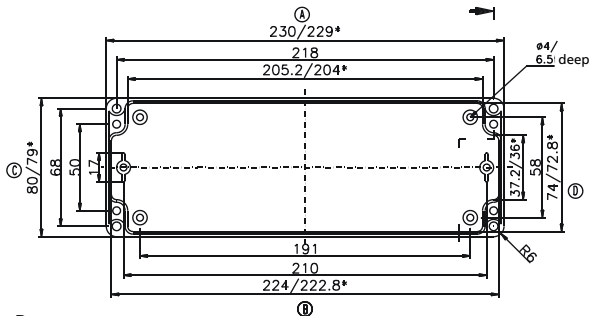
| DIN rail length in mm | max. fitting length in mm | Mounting plate (thickness in mm) | External mounting brackets | External hinge* set | EMC version | Self-adhesive rubber feet set | Silicone lid seal | Sealable lid screw in steel |
|-----------------------|---------------------------|----------------------------------|----------------------------|---------------------|-------------|-------------------------------|-------------------|-----------------------------|
| TS 15                 |                           |                                  |                            |                     |             |                               |                   |                             |
| 218                   | 204                       | 1,5                              | •                          | •                   | •           | •                             | •                 | •                           |



Lid



\* = Conical form tapering downwards  
Free dimensions-tolerance to DIN 16901 - 130



Cylinder screw M4x24/10 similar to DIN EN ISO 7045

| M  | Corner dim. | Side |     | PG   | Corner dim. | Side |     |
|----|-------------|------|-----|------|-------------|------|-----|
|    |             | A/B  | C/D |      |             | A/B  | C/D |
| 12 | 17,25       | 40   | 6   | 7    | 17,25       | 40   | 6   |
| 16 | 25,30       | 18   | 3   | 9    | 21,85       | 27   | 3   |
| 20 | 27,60       | 14   | 2   | 11   | 25,30       | 17   | 2   |
| 25 | 37,95       | 7    | 1   | 13,5 | 27,60       | 14   | 2   |
| 32 | 48,30       | 4    | 1   | 16   | 31,05       | 12   | 2   |
| 40 | 60,95       | 3    |     | 21   | 37,95       | 7    | 1   |
| 50 | 69,00       |      |     | 29   | 48,30       | 4    |     |
| 63 | 74,75       |      |     | 36   | 60,95       | 3    |     |
|    |             |      |     | 42   | 69,00       |      |     |
|    |             |      |     | 48   | 74,75       |      |     |

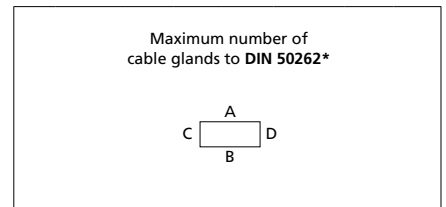
Base

Type: . . .12 12 06

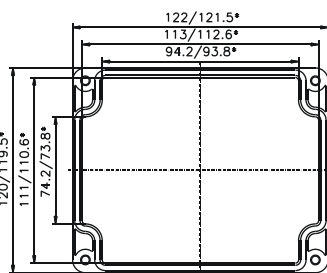
External dimensions: 120 x 122 x 55 mm

Weight: 587 g

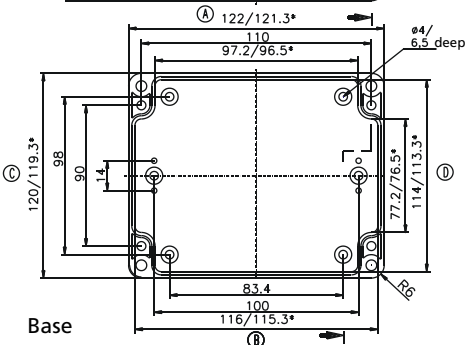
| DIN rail length in mm | max. fitting length in mm | Mounting plate (thickness in mm) | External mounting brackets | External hinge* set | EMC version | Self-adhesive rubber feet set | Silicone lid seal | Sealable lid screw in steel |
|-----------------------|---------------------------|----------------------------------|----------------------------|---------------------|-------------|-------------------------------|-------------------|-----------------------------|
| TS 35                 |                           |                                  |                            |                     |             |                               |                   |                             |
| 110                   | 96                        | 2                                | •                          | •                   | •           | •                             | •                 | •                           |



Lid



\* = Conical form tapering downwards  
Free dimensions-tolerance to DIN 16901 - 130



Cylinder screw M4x24/10 similar to DIN EN ISO 7045

| M  | Corner dim. | Side |     | PG   | Corner dim. | Side |     |
|----|-------------|------|-----|------|-------------|------|-----|
|    |             | A/B  | C/D |      |             | A/B  | C/D |
| 12 | 17,25       | 11   | 8   | 7    | 17,25       | 11   | 8   |
| 16 | 25,30       | 4    | 3   | 9    | 21,85       | 6    | 4   |
| 20 | 27,60       | 4    | 3   | 11   | 25,30       | 4    | 3   |
| 25 | 37,95       | 2    | 2   | 13,5 | 27,60       | 4    | 3   |
| 32 | 48,30       |      |     | 16   | 31,05       | 3    | 2   |
| 40 | 60,95       |      |     | 21   | 37,95       | 2    | 2   |
| 50 | 69,00       |      |     | 29   | 48,30       |      |     |
| 63 | 74,75       |      |     | 36   | 60,95       |      |     |
|    |             |      |     | 42   | 69,00       |      |     |
|    |             |      |     | 48   | 74,75       |      |     |

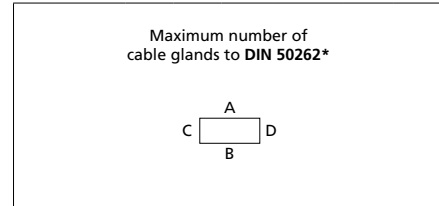
\* Please quote mounting side

Type: . . .12 12 09

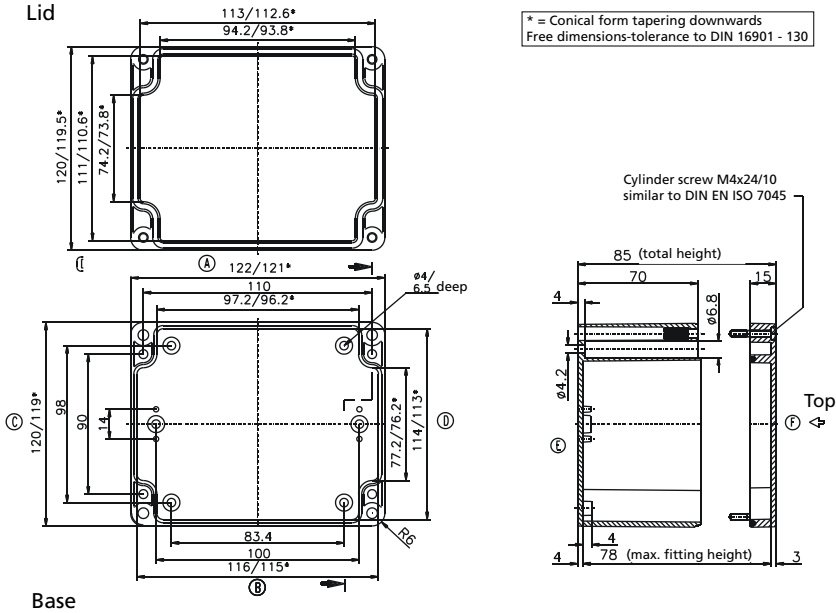
External dimensions: 120 x 122 x 85 mm

Weight: 430 g

|                       |                           |                                  |                            |                     |             |                               |                   |                             |
|-----------------------|---------------------------|----------------------------------|----------------------------|---------------------|-------------|-------------------------------|-------------------|-----------------------------|
| DIN rail length in mm | max. fitting length in mm | Mounting plate (thickness in mm) | External mounting brackets | External hinge* set | EMC version | Self-adhesive rubber feet set | Silicone lid seal | Sealable lid screw in steel |
| TS 35                 |                           |                                  | •                          | •                   | •           | •                             | •                 | •                           |
| 110                   | 96                        | 2                                | •                          | •                   | •           | •                             | •                 | •                           |



| M  | Corner dim. | Side |     | PG   | Corner dim. | Side |     |
|----|-------------|------|-----|------|-------------|------|-----|
|    |             | A/B  | C/D |      |             | A/B  | C/D |
| 12 | 17,25       | 20   | 14  | 7    | 17,25       | 20   | 14  |
| 16 | 25,30       | 9    | 6   | 9    | 21,85       | 12   | 9   |
| 20 | 27,60       | 6    | 5   | 11   | 25,30       | 9    | 6   |
| 25 | 37,95       | 4    | 2   | 13,5 | 27,60       | 6    | 5   |
| 32 | 48,30       | 2    | 1   | 16   | 31,05       | 6    | 4   |
| 40 | 60,95       | 1    | 1   | 21   | 37,95       | 3    | 2   |
| 50 | 69,00       | 1    |     | 29   | 48,30       | 2    | 1   |
| 63 | 74,75       |      |     | 36   | 60,95       | 1    | 1   |
|    |             |      |     | 42   | 69,00       | 1    |     |
|    |             |      |     | 48   | 74,75       |      |     |

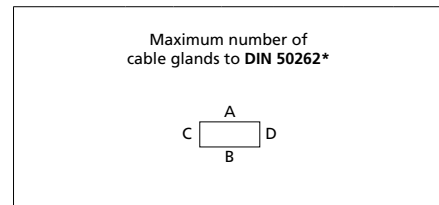


Type: . . .12 12 11

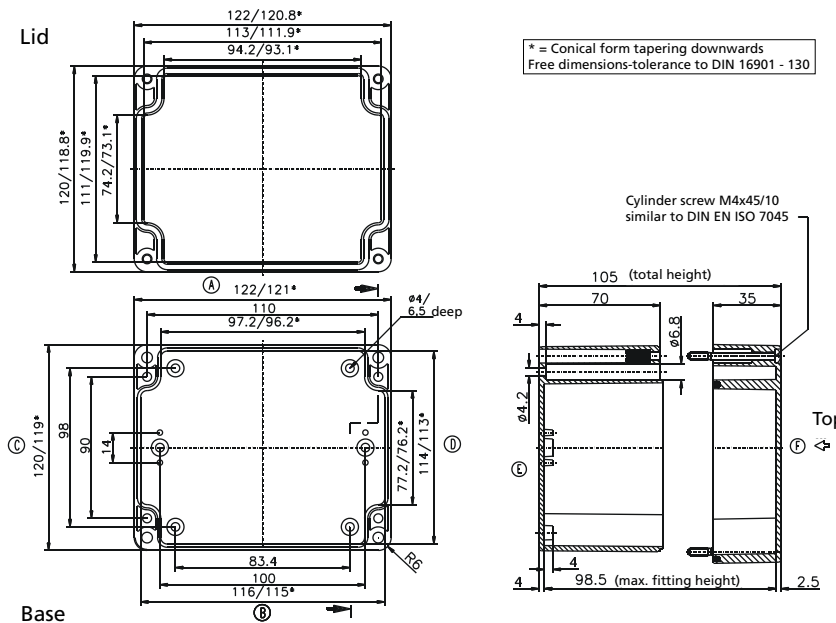
External dimensions: 120 x 122 x 105 mm

Weight: 560 g

|                       |                           |                                  |                            |                     |             |                               |                   |                             |
|-----------------------|---------------------------|----------------------------------|----------------------------|---------------------|-------------|-------------------------------|-------------------|-----------------------------|
| DIN rail length in mm | max. fitting length in mm | Mounting plate (thickness in mm) | External mounting brackets | External hinge* set | EMC version | Self-adhesive rubber feet set | Silicone lid seal | Sealable lid screw in steel |
| TS 35                 |                           |                                  | •                          | •                   | •           | •                             | •                 | •                           |
| 110                   | 96                        | 2                                | •                          | •                   | •           | •                             | •                 | •                           |



| M  | Corner dim. | Side |     | PG   | Corner dim. | Side |     |
|----|-------------|------|-----|------|-------------|------|-----|
|    |             | A/B  | C/D |      |             | A/B  | C/D |
| 12 | 17,25       | 20   | 14  | 7    | 17,25       | 20   | 14  |
| 16 | 25,30       | 9    | 6   | 9    | 21,85       | 12   | 9   |
| 20 | 27,60       | 6    | 5   | 11   | 25,30       | 9    | 6   |
| 25 | 37,95       | 4    | 2   | 13,5 | 27,60       | 6    | 5   |
| 32 | 48,30       | 2    | 1   | 16   | 31,05       | 6    | 4   |
| 40 | 60,95       | 1    | 1   | 21   | 37,95       | 3    | 2   |
| 50 | 69,00       | 1    |     | 29   | 48,30       | 2    | 1   |
| 63 | 74,75       |      |     | 36   | 60,95       | 1    | 1   |
|    |             |      |     | 42   | 69,00       | 1    |     |
|    |             |      |     | 48   | 74,75       |      |     |



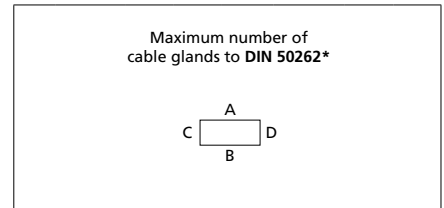
\* Please quote mounting side

Type: . . .12 16 09

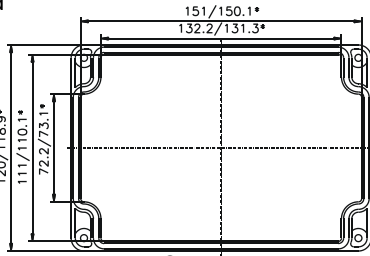
External dimensions: 120 x 160 x 90 mm

Weight: 490 g

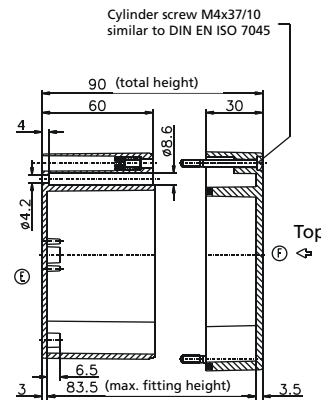
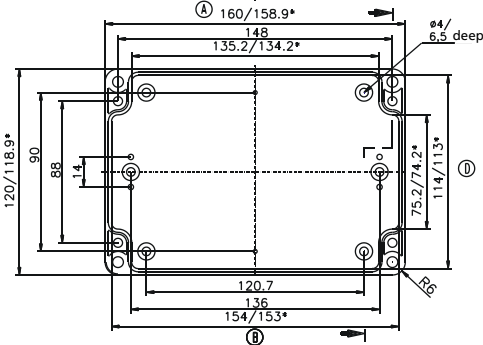
|                       |                           |                                  |                            |                     |             |                               |                   |                             |
|-----------------------|---------------------------|----------------------------------|----------------------------|---------------------|-------------|-------------------------------|-------------------|-----------------------------|
| DIN rail length in mm | max. fitting length in mm | Mounting plate (thickness in mm) | External mounting brackets | External hinge* set | EMC version | Self-adhesive rubber feet set | Silicone lid seal | Sealable lid screw in steel |
| TS 35                 |                           |                                  | •                          | •                   | •           | •                             | •                 |                             |
| 150                   | 134                       | 2                                | •                          | •                   | •           | •                             | •                 |                             |



Lid



\* = Conical form tapering downwards  
Free dimensions-tolerance to DIN 16901 - 130



Base

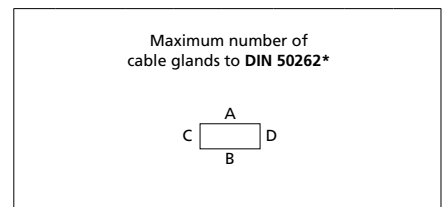
| M  | Corner dim. | Side |     | PG   | Corner dim. | Side |     |
|----|-------------|------|-----|------|-------------|------|-----|
|    |             | A/B  | C/D |      |             | A/B  | C/D |
| 12 | 17,25       | 21   | 12  | 7    | 17,25       | 21   | 12  |
| 16 | 25,30       | 10   | 6   | 9    | 21,85       | 12   | 6   |
| 20 | 27,60       | 9    | 4   | 11   | 25,30       | 10   | 6   |
| 25 | 37,95       | 4    | 2   | 13,5 | 27,60       | 9    | 4   |
| 32 | 48,30       | 3    | 1   | 16   | 31,05       | 5    | 3   |
| 40 | 60,95       |      |     | 21   | 37,95       | 3    | 2   |
| 50 | 69,00       |      |     | 29   | 48,30       | 2    | 1   |
| 63 | 74,75       |      |     | 36   | 60,95       |      |     |
|    |             |      |     | 42   | 69,00       |      |     |
|    |             |      |     | 48   | 74,75       |      |     |

Type: . . .12 16 14

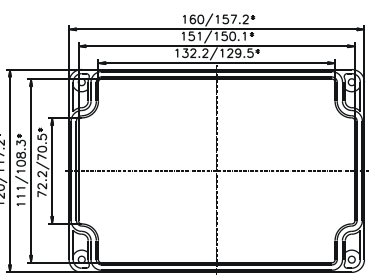
External dimensions: 120 x 160 x 140 mm

Weight: 600 g

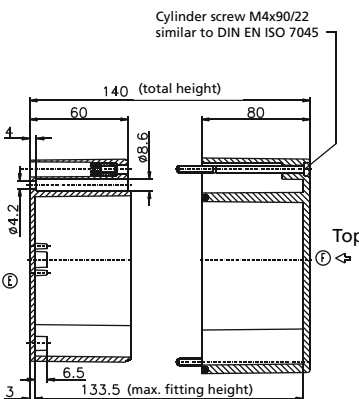
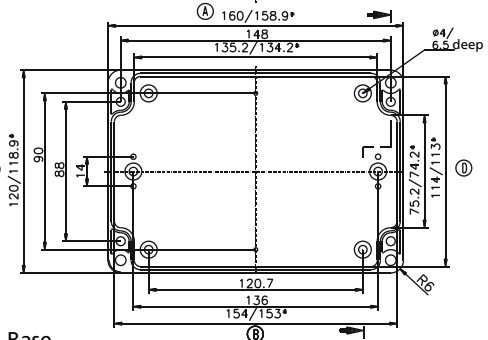
|                       |                           |                                  |                            |                     |             |                               |                   |                             |
|-----------------------|---------------------------|----------------------------------|----------------------------|---------------------|-------------|-------------------------------|-------------------|-----------------------------|
| DIN rail length in mm | max. fitting length in mm | Mounting plate (thickness in mm) | External mounting brackets | External hinge* set | EMC version | Self-adhesive rubber feet set | Silicone lid seal | Sealable lid screw in steel |
| TS 35                 |                           |                                  | •                          | •                   | •           | •                             | •                 |                             |
| 150                   | 134                       | 2                                | •                          | •                   | •           | •                             | •                 |                             |



Lid



\* = Conical form tapering downwards  
Free dimensions-tolerance to DIN 16901 - 130



Base

| M  | Corner dim. | Side |     | PG   | Corner dim. | Side |     |
|----|-------------|------|-----|------|-------------|------|-----|
|    |             | A/B  | C/D |      |             | A/B  | C/D |
| 12 | 17,25       | 21   | 12  | 7    | 17,25       | 21   | 12  |
| 16 | 25,30       | 10   | 6   | 9    | 21,85       | 12   | 6   |
| 20 | 27,60       | 9    | 4   | 11   | 25,30       | 10   | 6   |
| 25 | 37,95       | 4    | 2   | 13,5 | 27,60       | 9    | 4   |
| 32 | 48,30       | 3    | 1   | 16   | 31,05       | 5    | 3   |
| 40 | 60,95       |      |     | 21   | 37,95       | 3    | 2   |
| 50 | 69,00       |      |     | 29   | 48,30       | 2    | 1   |
| 63 | 74,75       |      |     | 36   | 60,95       |      |     |
|    |             |      |     | 42   | 69,00       |      |     |
|    |             |      |     | 48   | 74,75       |      |     |

\* Please quote mounting side

Type: . . . **12 20 08**

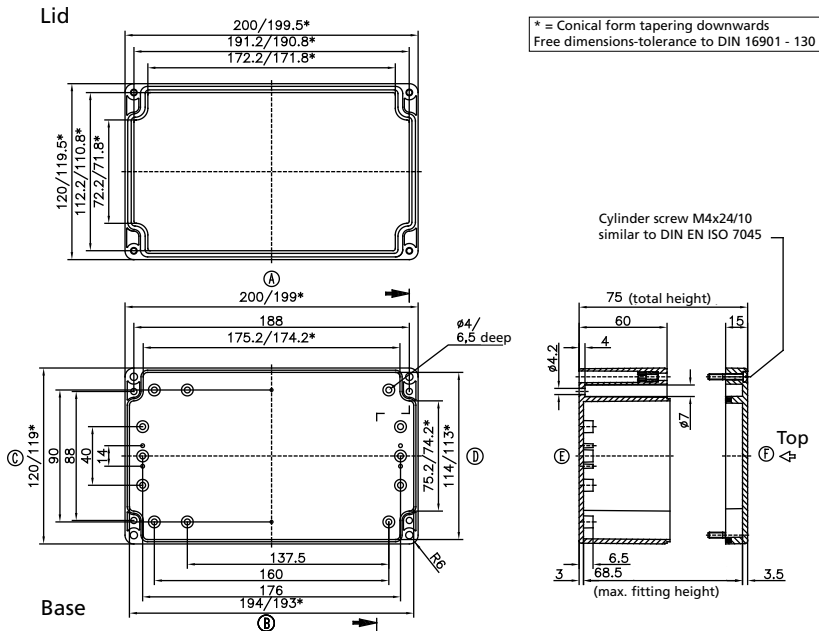
External dimensions: **120 x 200 x 75 mm**

Weight: **492 g**

|                       |                           |                                  |                            |                     |             |                               |                   |                             |
|-----------------------|---------------------------|----------------------------------|----------------------------|---------------------|-------------|-------------------------------|-------------------|-----------------------------|
| DIN rail length in mm | max. fitting length in mm | Mounting plate (thickness in mm) | External mounting brackets | External hinge* set | EMC version | Self-adhesive rubber feet set | Silicone lid seal | Sealable lid screw in steel |
| TS 35                 |                           |                                  |                            |                     |             |                               |                   |                             |
| 190                   | 174                       | 2                                | •                          | •                   | •           | •                             | •                 | •                           |

Maximum number of cable glands to DIN 50262\*

| M  | Corner dim. | Side |     | PG   | Corner dim. | Side |     |
|----|-------------|------|-----|------|-------------|------|-----|
|    |             | A/B  | C/D |      |             | A/B  | C/D |
| 12 | 17,25       | 30   | 15  | 7    | 17,25       | 30   | 15  |
| 16 | 25,30       | 14   | 6   | 9    | 21,85       | 20   | 9   |
| 20 | 27,60       | 12   | 6   | 11   | 25,30       | 12   | 6   |
| 25 | 37,95       | 5    | 3   | 13,5 | 27,60       | 12   | 6   |
| 32 | 48,30       | 3    | 2   | 16   | 31,05       | 10   | 4   |
| 40 | 60,95       |      |     | 21   | 37,95       | 5    | 2   |
| 50 | 69,00       |      |     | 29   | 48,30       | 3    | 2   |
| 63 | 74,75       |      |     | 36   | 60,95       |      |     |
|    |             |      |     | 42   | 69,00       |      |     |
|    |             |      |     | 48   | 74,75       |      |     |



Type: . . . **12 20 09**

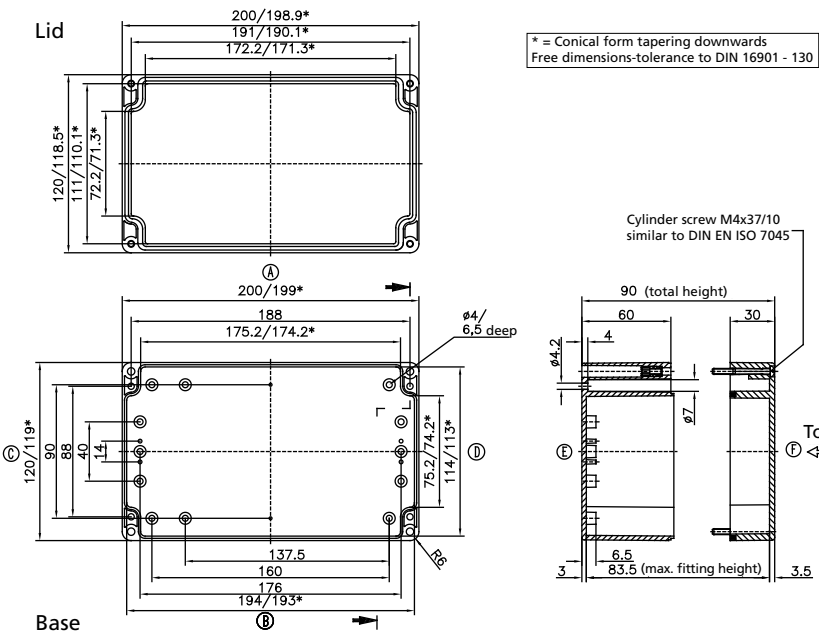
External dimensions: **120 x 200 x 90 mm**

Weight: **600 g**

|                       |                           |                                  |                            |                     |             |                               |                   |                             |
|-----------------------|---------------------------|----------------------------------|----------------------------|---------------------|-------------|-------------------------------|-------------------|-----------------------------|
| DIN rail length in mm | max. fitting length in mm | Mounting plate (thickness in mm) | External mounting brackets | External hinge* set | EMC version | Self-adhesive rubber feet set | Silicone lid seal | Sealable lid screw in steel |
| TS 35                 |                           |                                  |                            |                     |             |                               |                   |                             |
| 190                   | 174                       | 2                                | •                          | •                   | •           | •                             | •                 | •                           |

Maximum number of cable glands to DIN 50262\*

| M  | Corner dim. | Side |     | PG   | Corner dim. | Side |     |
|----|-------------|------|-----|------|-------------|------|-----|
|    |             | A/B  | C/D |      |             | A/B  | C/D |
| 12 | 17,25       | 30   | 12  | 7    | 17,25       | 30   | 11  |
| 16 | 25,30       | 14   | 6   | 9    | 21,85       | 18   | 6   |
| 20 | 27,60       | 12   | 4   | 11   | 25,30       | 12   | 6   |
| 25 | 37,95       | 5    | 2   | 13,5 | 27,60       | 12   | 4   |
| 32 | 48,30       | 3    | 1   | 16   | 31,05       | 10   | 3   |
| 40 | 60,95       |      |     | 21   | 37,95       | 5    | 2   |
| 50 | 69,00       |      |     | 29   | 48,30       | 3    | 1   |
| 63 | 74,75       |      |     | 36   | 60,95       |      |     |
|    |             |      |     | 42   | 69,00       |      |     |
|    |             |      |     | 48   | 74,75       |      |     |



\* Please quote mounting side

Type: . . . **12 24 10**

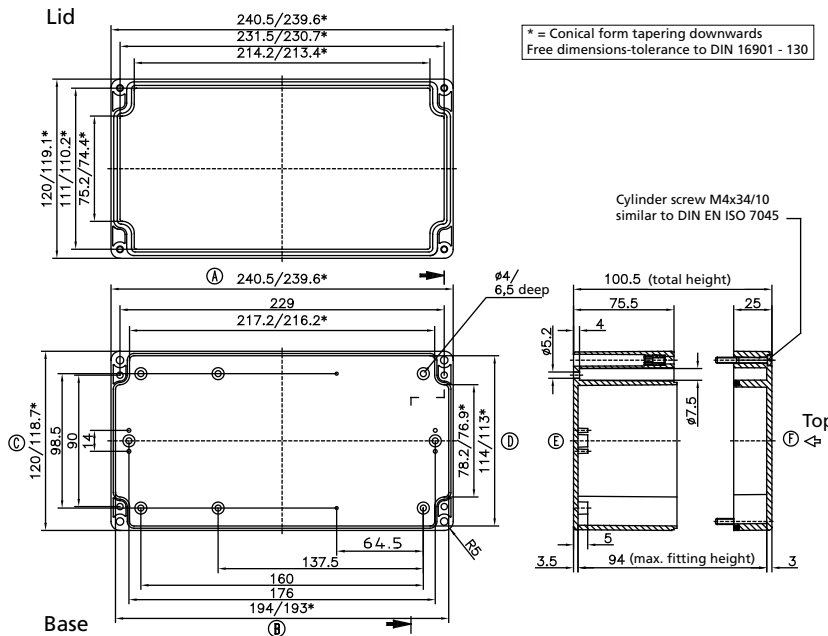
External dimensions: **120 x 240 x 100 mm**

Weight: **670 g**

|                       |                           |                                  |                            |                     |             |                               |                   |                             |
|-----------------------|---------------------------|----------------------------------|----------------------------|---------------------|-------------|-------------------------------|-------------------|-----------------------------|
| DIN rail length in mm | max. fitting length in mm | Mounting plate (thickness in mm) | External mounting brackets | External hinge* set | EMC version | Self-adhesive rubber feet set | Silicone lid seal | Sealable lid screw in steel |
| TS 35                 |                           |                                  |                            |                     |             |                               |                   |                             |
| 230                   | 216                       | 2                                | •                          | •                   | •           | •                             | •                 |                             |

Maximum number of cable glands to **DIN 50262\***

| M  | Corner dim. | Side |     | PG   | Corner dim. | Side |     |
|----|-------------|------|-----|------|-------------|------|-----|
|    |             | A/B  | C/D |      |             | A/B  | C/D |
| 12 | 17,25       | 48   | 16  | 7    | 17,25       | 48   | 16  |
| 16 | 25,30       | 24   | 8   | 9    | 21,85       | 30   | 9   |
| 20 | 27,60       | 17   | 5   | 11   | 25,30       | 21   | 6   |
| 25 | 37,95       | 10   | 3   | 13,5 | 27,60       | 17   | 5   |
| 32 | 48,30       | 5    | 1   | 16   | 31,05       | 14   | 5   |
| 40 | 60,95       | 3    | 1   | 21   | 37,95       | 9    | 3   |
| 50 | 69,00       | 3    | 1   | 29   | 48,30       | 5    | 1   |
| 63 | 74,75       |      |     | 36   | 60,95       | 3    | 1   |
|    |             |      |     | 42   | 69,00       |      |     |
|    |             |      |     | 48   | 74,75       |      |     |



Type: . . . **15 20 08**

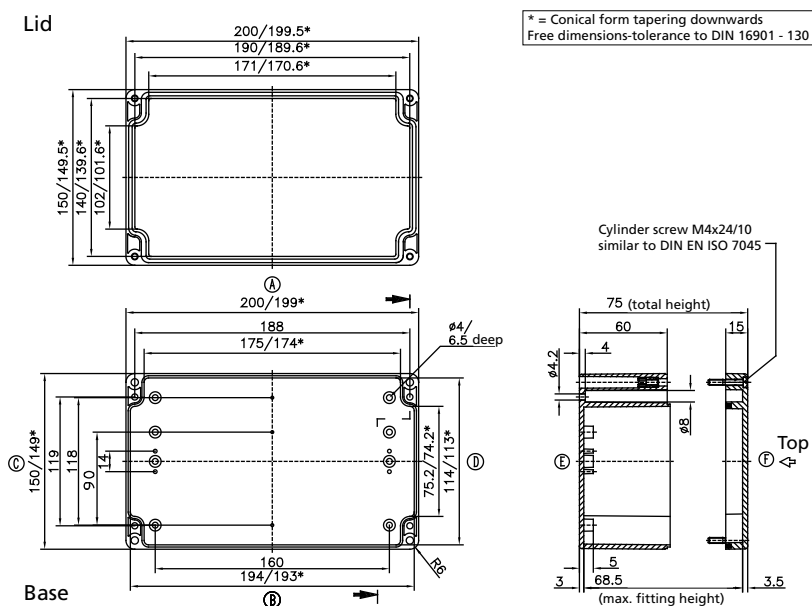
External dimensions: **150 x 200 x 75 mm**

Weight: **666 g**

|                       |                           |                                  |                            |                     |             |                               |                   |                             |
|-----------------------|---------------------------|----------------------------------|----------------------------|---------------------|-------------|-------------------------------|-------------------|-----------------------------|
| DIN rail length in mm | max. fitting length in mm | Mounting plate (thickness in mm) | External mounting brackets | External hinge* set | EMC version | Self-adhesive rubber feet set | Silicone lid seal | Sealable lid screw in steel |
| TS 35                 |                           |                                  |                            |                     |             |                               |                   |                             |
| 170                   | 174                       | 2                                | •                          | •                   | •           | •                             | •                 | •                           |

Maximum number of cable glands to **DIN 50262\***

| M  | Corner dim. | Side |     | PG   | Corner dim. | Side |     |
|----|-------------|------|-----|------|-------------|------|-----|
|    |             | A/B  | C/D |      |             | A/B  | C/D |
| 12 | 17,25       | 30   | 17  | 7    | 17,25       | 30   | 17  |
| 16 | 25,30       | 14   | 8   | 9    | 21,85       | 20   | 9   |
| 20 | 27,60       | 12   | 6   | 11   | 25,30       | 14   | 8   |
| 25 | 37,95       | 5    | 3   | 13,5 | 27,60       | 12   | 6   |
| 32 | 48,30       | 3    | 2   | 16   | 31,05       | 10   | 4   |
| 40 | 60,95       |      |     | 21   | 37,95       | 5    | 3   |
| 50 | 69,00       |      |     | 29   | 48,30       | 3    | 2   |
| 63 | 74,75       |      |     | 36   | 60,95       |      |     |
|    |             |      |     | 42   | 69,00       |      |     |
|    |             |      |     | 48   | 74,75       |      |     |



\* Please quote mounting side

Type: . . .16 24 09

External dimensions: 160 x 240 x 90 mm

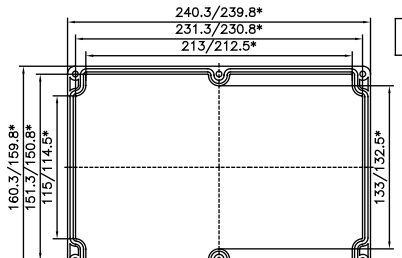
Weight: 830 g

|                       |                           |                                  |                            |                     |             |                               |                   |                             |
|-----------------------|---------------------------|----------------------------------|----------------------------|---------------------|-------------|-------------------------------|-------------------|-----------------------------|
| DIN rail length in mm | max. fitting length in mm | Mounting plate (thickness in mm) | External mounting brackets | External hinge* set | EMC version | Self-adhesive rubber feet set | Silicone lid seal | Sealable lid screw in steel |
| TS 35                 |                           |                                  |                            |                     |             |                               |                   |                             |
| 230                   | 214                       | 2,5                              | •                          | •                   | •           | •                             | •                 | •                           |

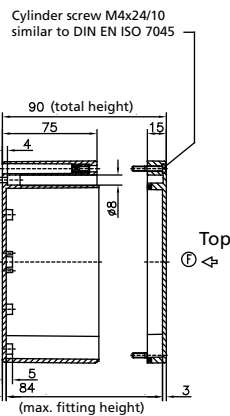
Maximum number of cable glands to DIN 50262\*

| M  | Corner dim. | Side |     | PG   | Corner dim. | Side |     |
|----|-------------|------|-----|------|-------------|------|-----|
|    |             | A/B  | C/D |      |             | A/B  | C/D |
| 12 | 17,25       | 40   | 26  | 7    | 17,25       | 40   | 26  |
| 16 | 25,30       | 18   | 11  | 9    | 21,85       | 24   | 15  |
| 20 | 27,60       | 12   | 8   | 11   | 25,30       | 16   | 11  |
| 25 | 37,95       | 8    | 4   | 13,5 | 27,60       | 12   | 8   |
| 32 | 48,30       | 4    | 2   | 16   | 31,05       | 12   | 8   |
| 40 | 60,95       | 2    | 2   | 21   | 37,95       | 6    | 4   |
| 50 | 69,00       | 2    | 1   | 29   | 48,30       | 4    | 2   |
| 63 | 74,75       |      |     | 36   | 60,95       | 2    | 2   |
|    |             |      |     | 42   | 69,00       | 2    | 1   |
|    |             |      |     | 48   | 74,75       |      |     |

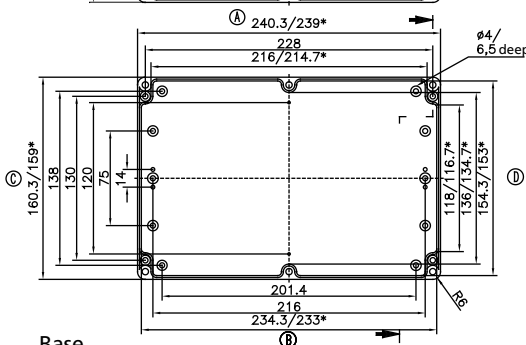
Lid



\* = Conical form tapering downwards  
Free dimensions-tolerance to DIN 16901 - 130



Base



Type: . . .16 24 12

External dimensions: 160 x 240 x 120 mm

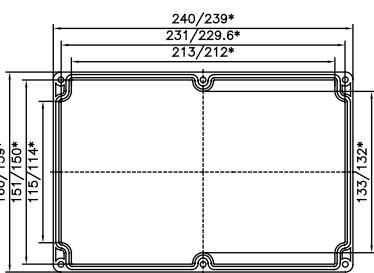
Weight: 970 g

|                       |                           |                                  |                            |                     |             |                               |                   |                             |
|-----------------------|---------------------------|----------------------------------|----------------------------|---------------------|-------------|-------------------------------|-------------------|-----------------------------|
| DIN rail length in mm | max. fitting length in mm | Mounting plate (thickness in mm) | External mounting brackets | External hinge* set | EMC version | Self-adhesive rubber feet set | Silicone lid seal | Sealable lid screw in steel |
| TS 35                 |                           |                                  |                            |                     |             |                               |                   |                             |
| 230                   | 214                       | 2,5                              | •                          | •                   | •           | •                             | •                 | •                           |

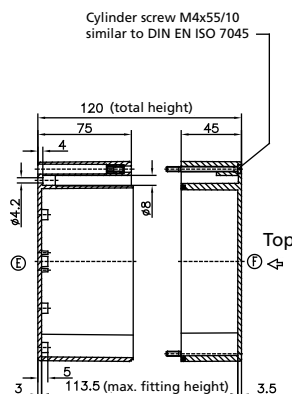
Maximum number of cable glands to DIN 50262\*

| M  | Corner dim. | Side |     | PG   | Corner dim. | Side |     |
|----|-------------|------|-----|------|-------------|------|-----|
|    |             | A/B  | C/D |      |             | A/B  | C/D |
| 12 | 17,25       | 40   | 26  | 7    | 17,25       | 40   | 26  |
| 16 | 25,30       | 22   | 12  | 9    | 21,85       | 24   | 15  |
| 20 | 27,60       | 16   | 9   | 11   | 25,30       | 18   | 12  |
| 25 | 37,95       | 8    | 5   | 13,5 | 27,60       | 16   | 9   |
| 32 | 48,30       | 4    | 3   | 16   | 31,05       | 12   | 8   |
| 40 | 60,95       | 2    | 2   | 21   | 37,95       | 8    | 5   |
| 50 | 69,00       | 2    | 1   | 29   | 48,30       | 4    | 2   |
| 63 | 74,75       |      |     | 36   | 60,95       | 2    | 2   |
|    |             |      |     | 42   | 69,00       | 2    | 1   |
|    |             |      |     | 48   | 74,75       |      |     |

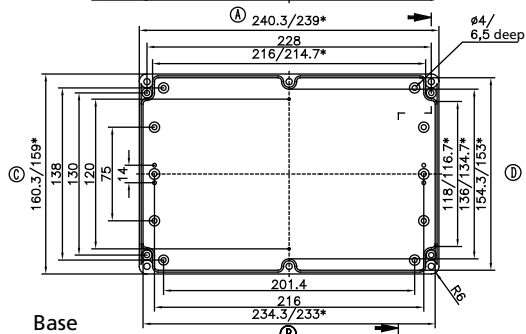
Lid



\* = Conical form tapering downwards  
Free dimensions-tolerance to DIN 16901 - 130



Base



\* Please quote mounting side

Type: . . . **16 36 10**

External dimensions: **160 x 360 x 100 mm**

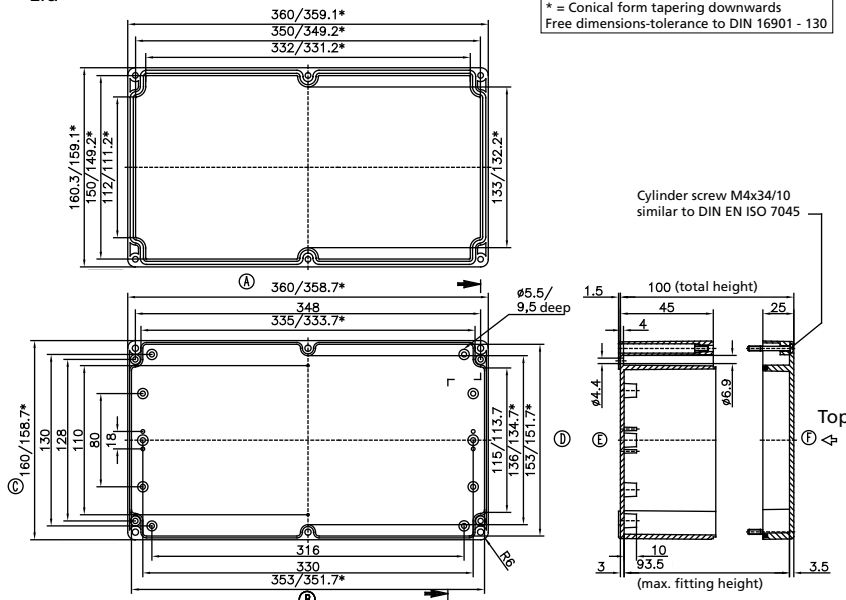
Weight: **1310 g**

|                       |                           |                                  |                            |                     |             |                               |                   |                             |
|-----------------------|---------------------------|----------------------------------|----------------------------|---------------------|-------------|-------------------------------|-------------------|-----------------------------|
| DIN rail length in mm | max. fitting length in mm | Mounting plate (thickness in mm) | External mounting brackets | External hinge* set | EMC version | Self-adhesive rubber feet set | Silicone lid seal | Sealable lid screw in steel |
| TS 35                 |                           |                                  |                            |                     |             |                               |                   |                             |
| 345                   | 333                       | 2,5                              | •                          | •                   | •           | •                             | •                 |                             |

Maximum number of cable glands to DIN 50262\*

| M  | Corner dim. | Side |     | PG   | Corner dim. | Side |     |
|----|-------------|------|-----|------|-------------|------|-----|
|    |             | A/B  | C/D |      |             | A/B  | C/D |
| 12 | 17,25       | 72   | 24  | 7    | 17,25       | 72   | 24  |
| 16 | 25,30       | 36   | 12  | 9    | 21,85       | 44   | 15  |
| 20 | 27,60       | 28   | 9   | 11   | 25,30       | 36   | 11  |
| 25 | 37,95       | 16   | 5   | 13,5 | 27,60       | 28   | 9   |
| 32 | 48,30       | 8    | 2   | 16   | 31,05       | 20   | 6   |
| 40 | 60,95       | 4    | 2   | 21   | 37,95       | 16   | 5   |
| 50 | 69,00       | 4    | 1   | 29   | 48,30       | 6    | 2   |
| 63 | 74,75       | 4    |     | 36   | 60,95       | 4    | 2   |
|    |             |      |     | 42   | 69,00       | 4    | 1   |
|    |             |      |     | 48   | 74,75       | 4    |     |

Lid



Base

Type: . . . **20 36 15**

External dimensions: **200 x 360 x 149 mm**

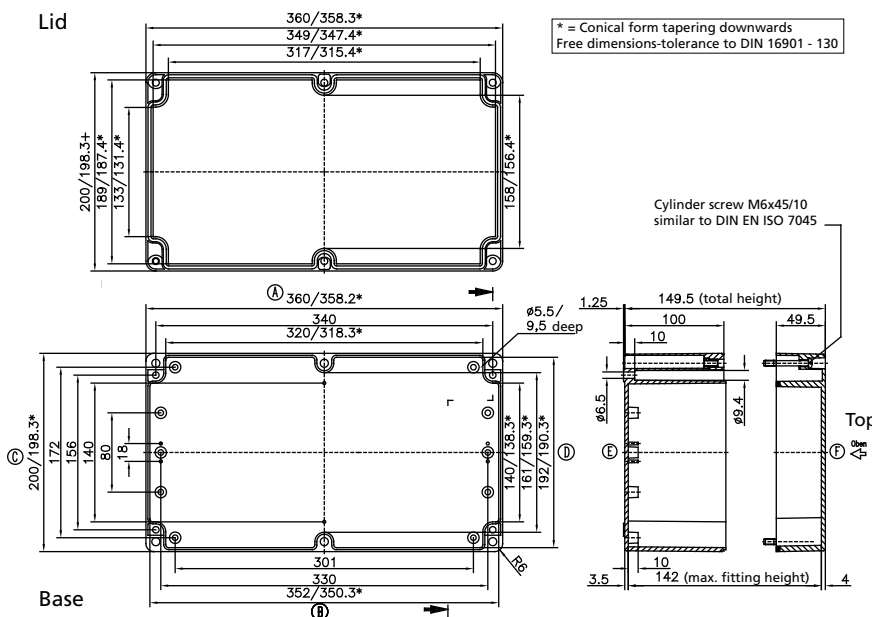
Weight: **2166 g**

|                       |                           |                                  |                            |                     |             |                               |                   |                             |
|-----------------------|---------------------------|----------------------------------|----------------------------|---------------------|-------------|-------------------------------|-------------------|-----------------------------|
| DIN rail length in mm | max. fitting length in mm | Mounting plate (thickness in mm) | External mounting brackets | External hinge* set | EMC version | Self-adhesive rubber feet set | Silicone lid seal | Sealable lid screw in steel |
| TS 35                 |                           |                                  |                            |                     |             |                               |                   |                             |
| 345                   | 333                       | 2,5                              |                            | •                   | •           | •                             | •                 |                             |

Maximum number of cable glands to DIN 50262\*

| M  | Corner dim. | Side |     | PG   | Corner dim. | Side |     |
|----|-------------|------|-----|------|-------------|------|-----|
|    |             | A/B  | C/D |      |             | A/B  | C/D |
| 12 | 17,25       | 96   | 35  | 7    | 17,25       | 96   | 35  |
| 16 | 25,30       | 44   | 18  | 9    | 21,85       | 56   | 24  |
| 20 | 27,60       | 32   | 15  | 11   | 25,30       | 44   | 16  |
| 25 | 37,95       | 18   | 6   | 13,5 | 27,60       | 32   | 15  |
| 32 | 48,30       | 12   | 5   | 16   | 31,05       | 30   | 12  |
| 40 | 60,95       | 6    | 2   | 21   | 37,95       | 16   | 6   |
| 50 | 69,00       | 4    | 2   | 29   | 48,30       | 12   | 4   |
| 63 | 74,75       | 4    | 1   | 36   | 60,95       | 6    | 2   |
|    |             |      |     | 42   | 69,00       | 4    | 2   |
|    |             |      |     | 48   | 74,75       | 4    | 1   |

Lid



Base

\* Please quote mounting side



Type: . . .23 30 09

External dimensions: 230 x 300 x 85 mm

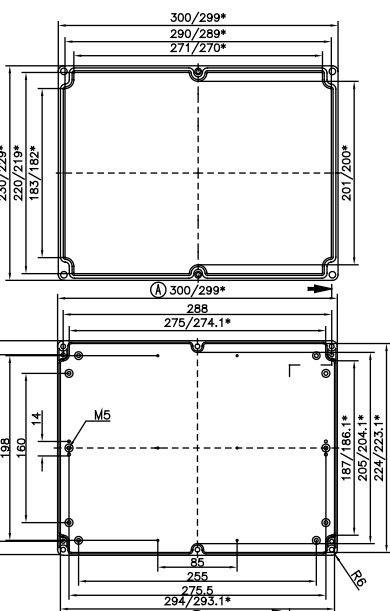
Weight: 1300 g

|                       |                           |                                  |                            |                     |             |                               |                   |                             |
|-----------------------|---------------------------|----------------------------------|----------------------------|---------------------|-------------|-------------------------------|-------------------|-----------------------------|
| DIN rail length in mm | max. fitting length in mm | Mounting plate (thickness in mm) | External mounting brackets | External hinge* set | EMC version | Self-adhesive rubber feet set | Silicone lid seal | Sealable lid screw in steel |
| TS 35                 |                           |                                  |                            |                     |             |                               |                   |                             |
| 290                   | 274                       | 2                                | •                          | •                   | •           | •                             | •                 |                             |

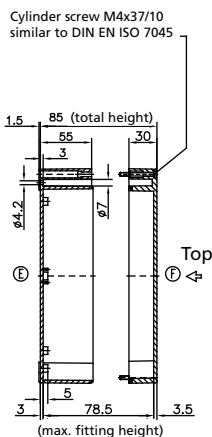
Maximum number of cable glands to DIN 50262\*

| M  | Corner dim. | Side |     | PG   | Corner dim. | Side |     |
|----|-------------|------|-----|------|-------------|------|-----|
|    |             | A/B  | C/D |      |             | A/B  | C/D |
| 12 | 17,25       | 42   | 26  | 7    | 17,25       | 42   | 26  |
| 16 | 25,30       | 20   | 14  | 9    | 21,85       | 24   | 16  |
| 20 | 27,60       | 16   | 9   | 11   | 25,30       | 20   | 12  |
| 25 | 37,95       | 6    | 5   | 13,5 | 27,60       | 16   | 9   |
| 32 | 48,30       | 4    | 4   | 16   | 31,05       | 12   | 7   |
| 40 | 60,95       |      |     | 21   | 37,95       | 6    | 5   |
| 50 | 69,00       |      |     | 29   | 48,30       | 4    | 3   |
| 63 | 74,75       |      |     | 36   | 60,95       |      |     |
|    |             |      |     | 42   | 69,00       |      |     |
|    |             |      |     | 48   | 74,75       |      |     |

Lid



\* = Conical form tapering downwards  
Free dimensions-tolerance to DIN 16901 - 130



Base

Type: . . .23 30 11

External dimensions: 230 x 300 x 110 mm

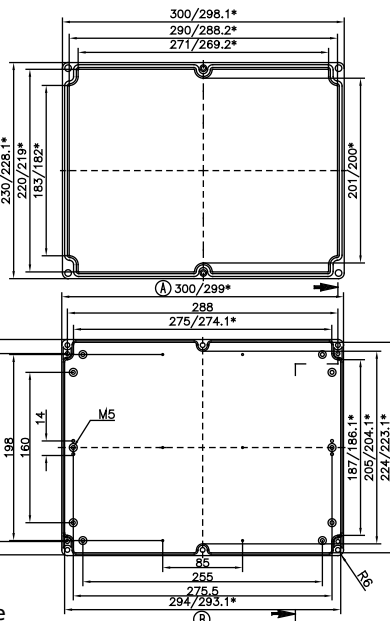
Weight: 1575 g

|                       |                           |                                  |                            |                     |             |                               |                   |                             |
|-----------------------|---------------------------|----------------------------------|----------------------------|---------------------|-------------|-------------------------------|-------------------|-----------------------------|
| DIN rail length in mm | max. fitting length in mm | Mounting plate (thickness in mm) | External mounting brackets | External hinge* set | EMC version | Self-adhesive rubber feet set | Silicone lid seal | Sealable lid screw in steel |
| TS 35                 |                           |                                  |                            |                     |             |                               |                   |                             |
| 290                   | 274                       | 2                                | •                          | •                   | •           | •                             | •                 |                             |

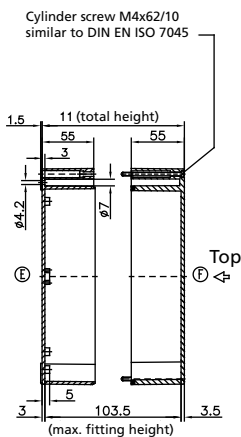
Maximum number of cable glands to DIN 50262\*

| M  | Corner dim. | Side |     | PG   | Corner dim. | Side |     |
|----|-------------|------|-----|------|-------------|------|-----|
|    |             | A/B  | C/D |      |             | A/B  | C/D |
| 12 | 17,25       | 42   | 26  | 7    | 17,25       | 42   | 26  |
| 16 | 25,30       | 20   | 14  | 9    | 21,85       | 24   | 16  |
| 20 | 27,60       | 16   | 9   | 11   | 25,30       | 20   | 12  |
| 25 | 37,95       | 6    | 5   | 13,5 | 27,60       | 16   | 9   |
| 32 | 48,30       | 4    | 4   | 16   | 31,05       | 10   | 7   |
| 40 | 60,95       |      |     | 21   | 37,95       | 6    | 5   |
| 50 | 69,00       |      |     | 29   | 48,30       | 4    | 3   |
| 63 | 74,75       |      |     | 36   | 60,95       |      |     |
|    |             |      |     | 42   | 69,00       |      |     |
|    |             |      |     | 48   | 74,75       |      |     |

Lid



\* = Conical form tapering downwards  
Free dimensions-tolerance to DIN 16901 - 130



Base

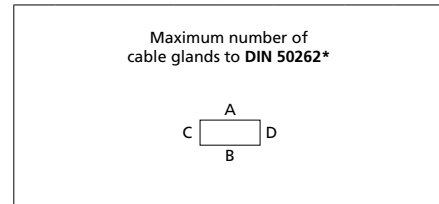
\* Please quote mounting side

Type: **09.40 36 15**

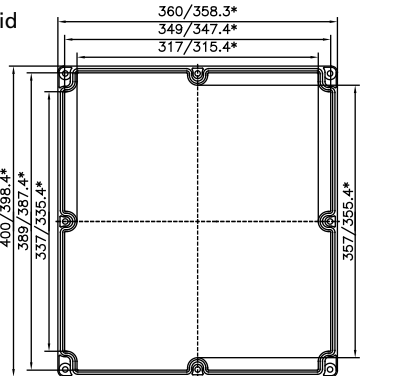
External dimensions: **400 x 360 x 150 mm**

Weight: **2470 g**

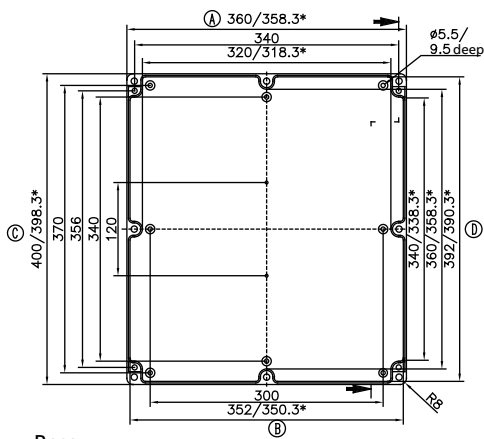
|                       |                          |                                  |                            |                     |             |                               |                   |                             |
|-----------------------|--------------------------|----------------------------------|----------------------------|---------------------|-------------|-------------------------------|-------------------|-----------------------------|
| DIN rail length in mm | max fitting length in mm | Mounting plate (thickness in mm) | External mounting brackets | External hinge* set | EMC version | Self-adhesive rubber feet set | Silicone lid seal | Sealable lid screw in steel |
| TS 35                 |                          |                                  |                            |                     |             |                               |                   |                             |
| 345                   | 300                      | 2,5                              |                            |                     | •           | •                             | •                 |                             |



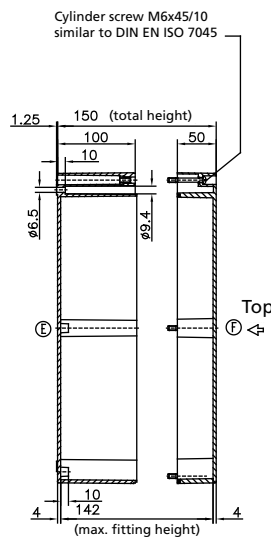
Lid



\* = Conical form tapering downwards  
Free dimensions-tolerance to DIN 16901 - 130



Base



| M  | Corner dim. | Side |     | PG   | Corner dim. | Side |     |
|----|-------------|------|-----|------|-------------|------|-----|
|    |             | A/B  | C/D |      |             | A/B  | C/D |
| 12 | 17,25       | 102  | 108 | 7    | 17,25       | 96   | 102 |
| 16 | 25,30       | 48   | 48  | 9    | 21,85       | 66   | 66  |
| 20 | 27,60       | 40   | 40  | 11   | 25,30       | 44   | 48  |
| 25 | 37,95       | 18   | 22  | 13,5 | 27,60       | 36   | 40  |
| 32 | 48,30       | 12   | 12  | 16   | 31,05       | 30   | 30  |
| 40 | 60,95       | 6    | 6   | 21   | 37,95       | 18   | 18  |
| 50 | 69,00       | 4    | 4   | 29   | 48,30       | 12   | 12  |
| 63 | 74,75       | 4    | 4   | 36   | 60,95       | 6    | 6   |
|    |             |      |     | 42   | 69,00       | 4    | 4   |
|    |             |      |     | 48   | 74,75       | 4    | 4   |

\* Please quote mounting side