

4

3

2

1

THIS DRAWING IS UNPUBLISHED.

RELEASED FOR PUBLICATION

20

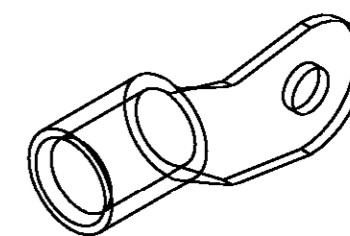
© COPYRIGHT 20

BY TYCO ELECTRONICS CORPORATION. ALL RIGHTS RESERVED.

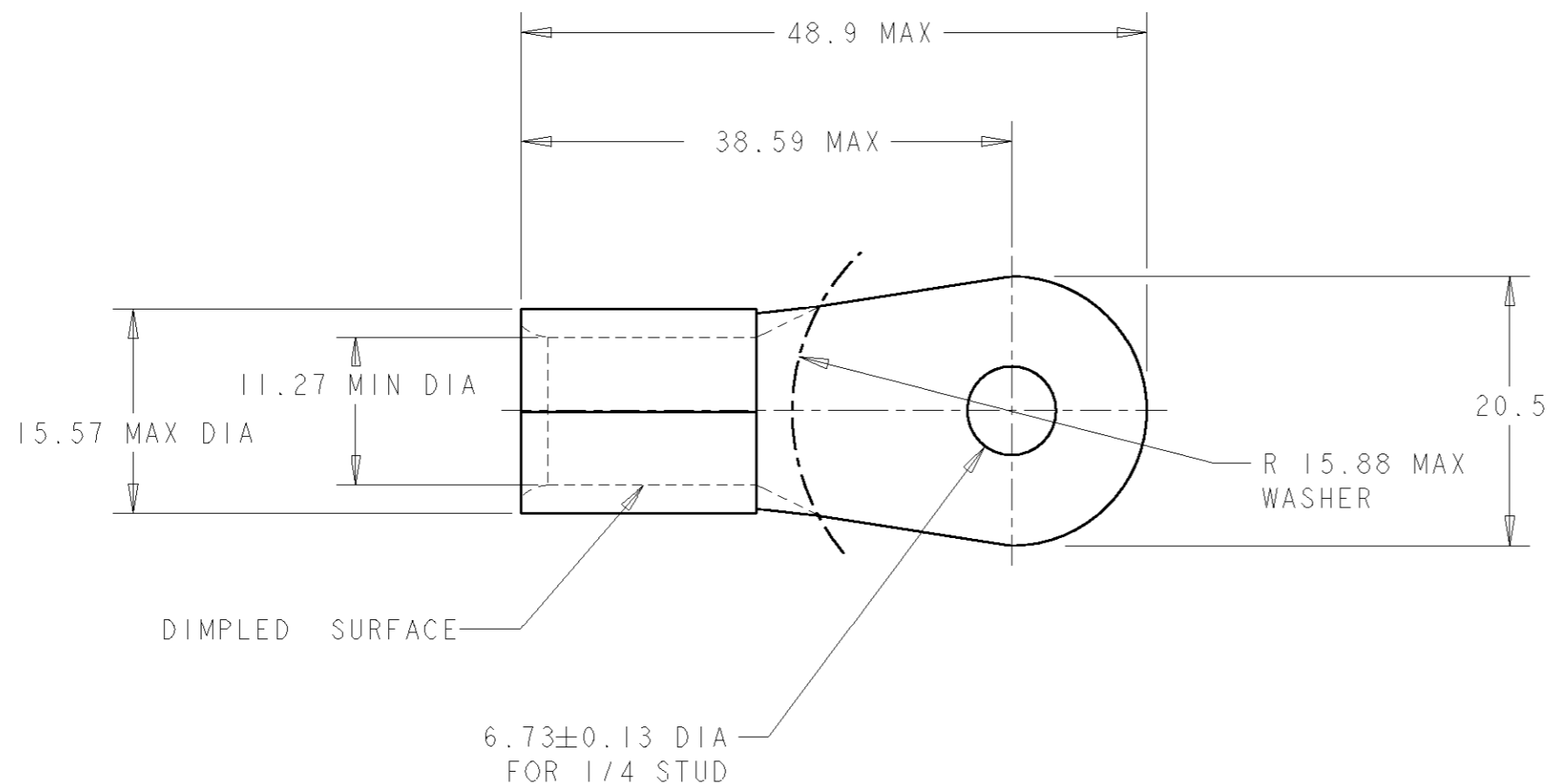
LOC  
FDIST  
00

REVISIONS

P	LTR	DESCRIPTION	DATE	DWN	APVD
	C	P/N REACTIVATED	03OCT2003	JJD	-

TONGUE MATERIAL THICKNESS  $1.78 \pm 0.08$  mm

SCALE 1:1



PART NUMBER : 323179-0

DIMENSIONS:		TOLERANCES UNLESS OTHERWISE SPECIFIED:		TYCO Electronics	
mm				TYCO ELECTRONICS France SAS BP 39, 95301 CERGY-PONTOISE Cedex	
		0 PLC ±-	1 PLC ±0.5	NAME WIRE TERMINAL, SOLISTRAND STRATO-THERM, RING TONGUE WIRE SIZE : 1/0	
		2 PLC ±0.13	3 PLC ±0.013	SIZE A3	
		4 PLC ±0.0001	ANGLES ±-	CAGE CODE 00779	
MATERIAL COPPER (QQ-C-576)		FINISH NICKEL PL (QQ-N-290)		DRAWING NO C=323179	
				RESTRICTED TO -	
				SCALE 2:1	
				SHEET 1 OF 1	
				REV C	