

4

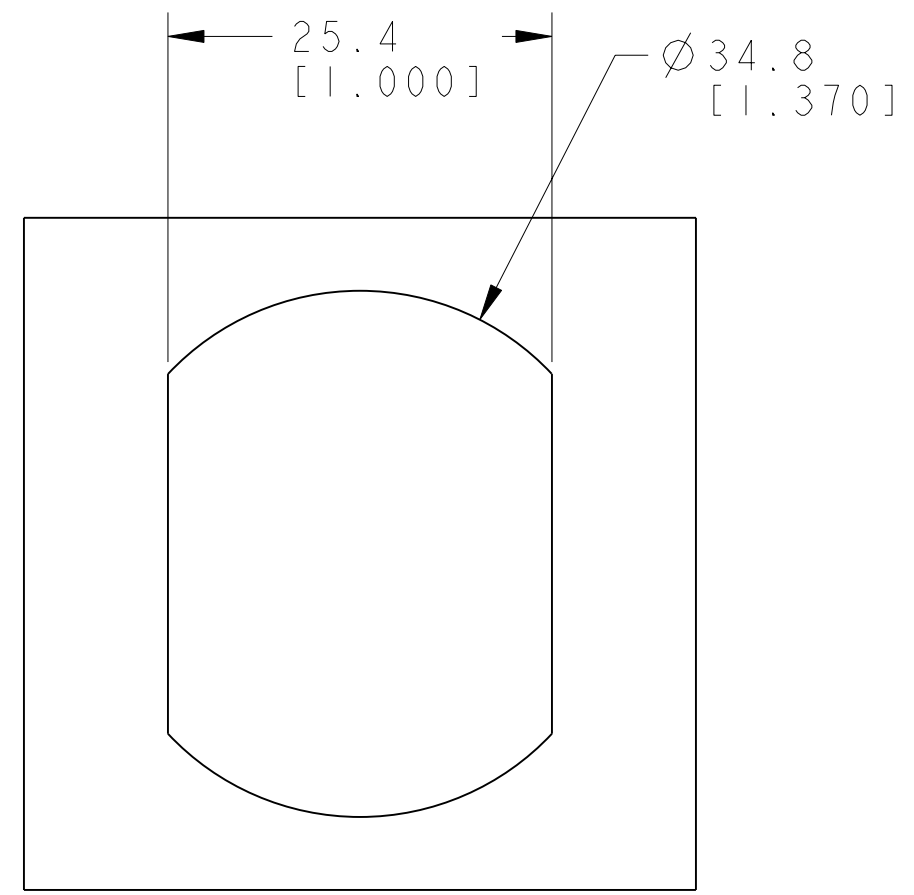
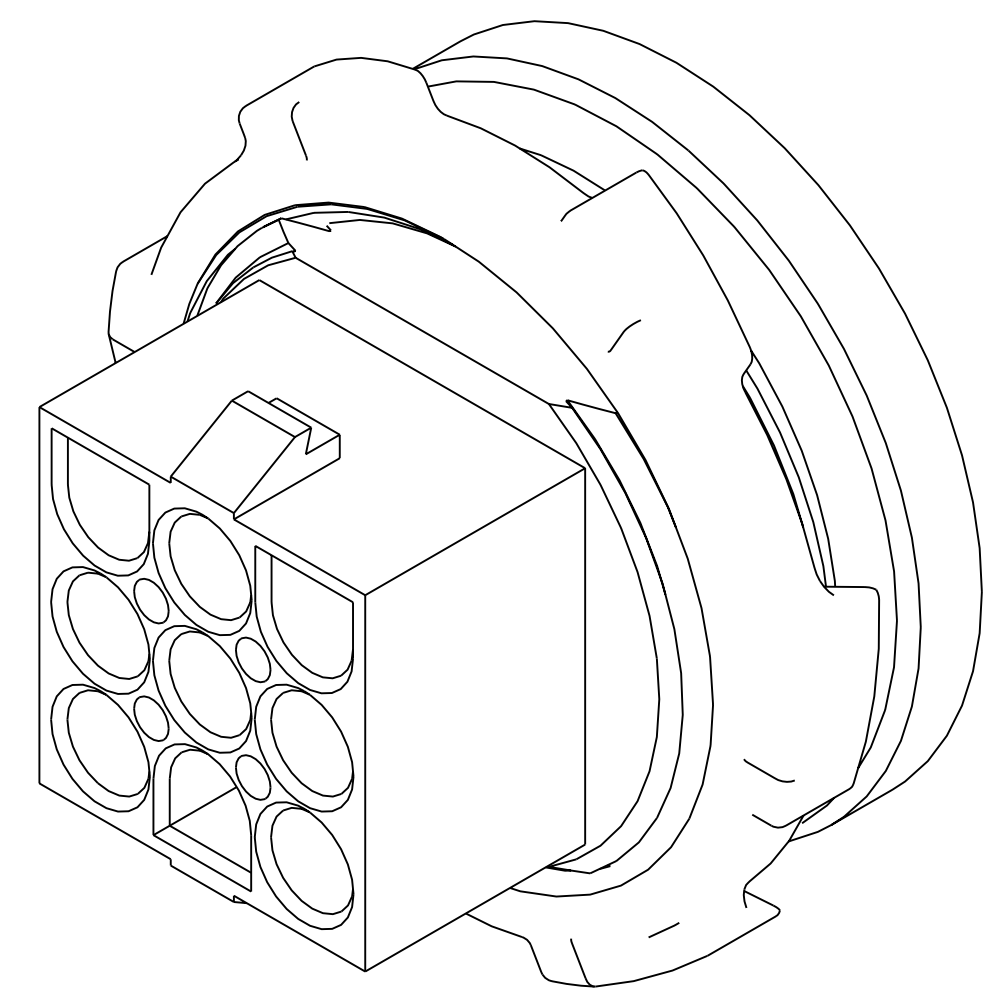
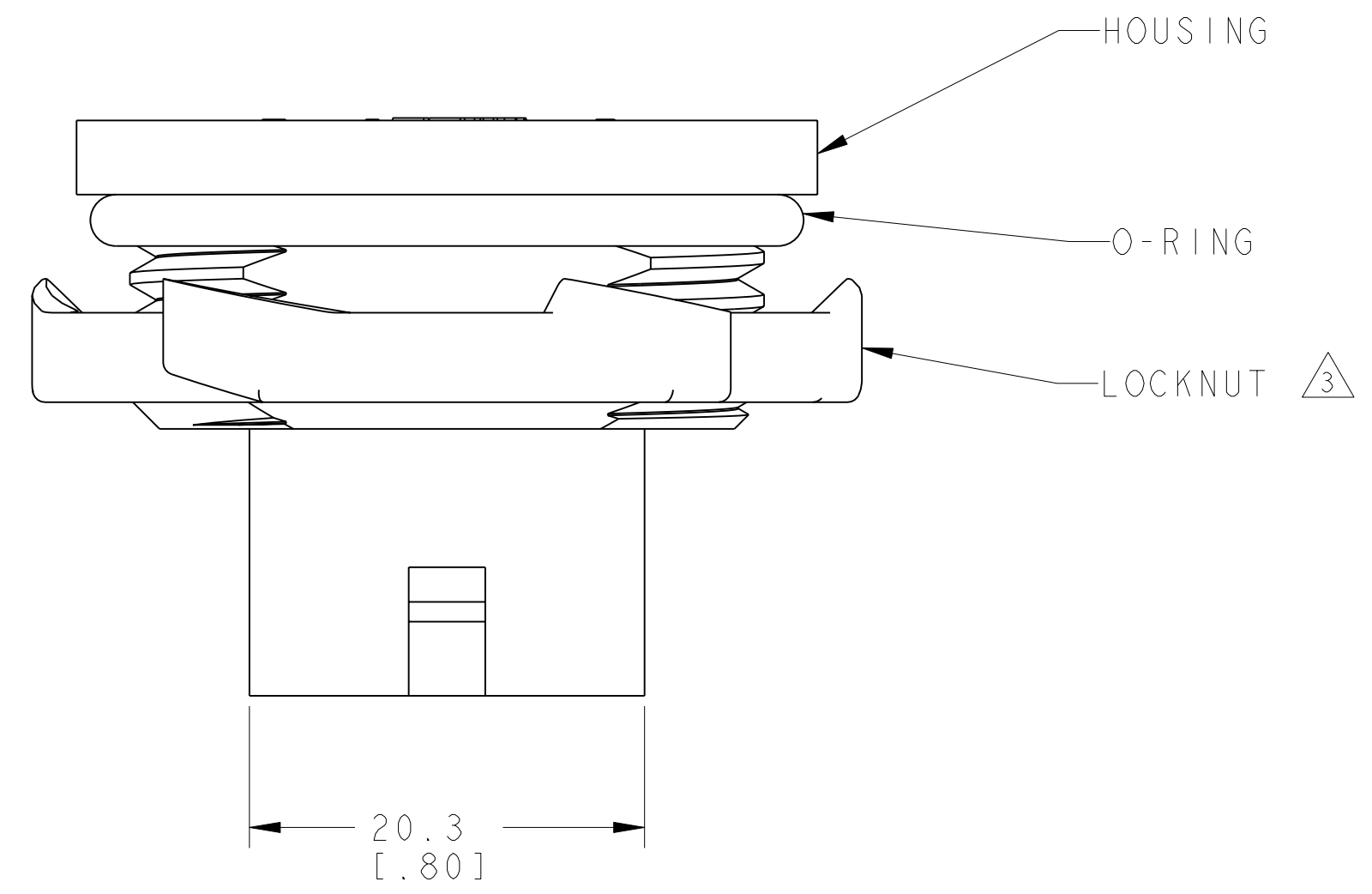
3

2

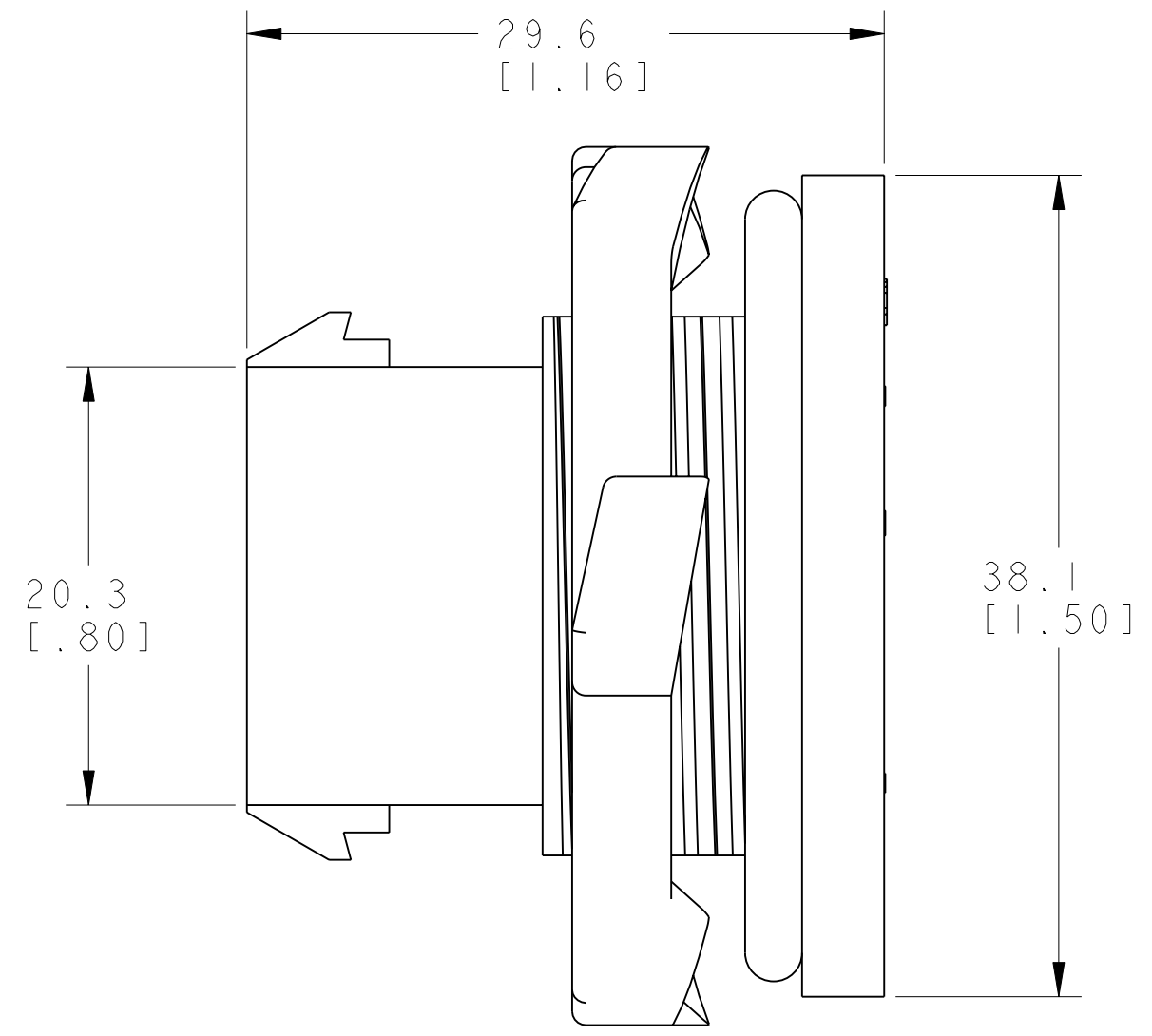
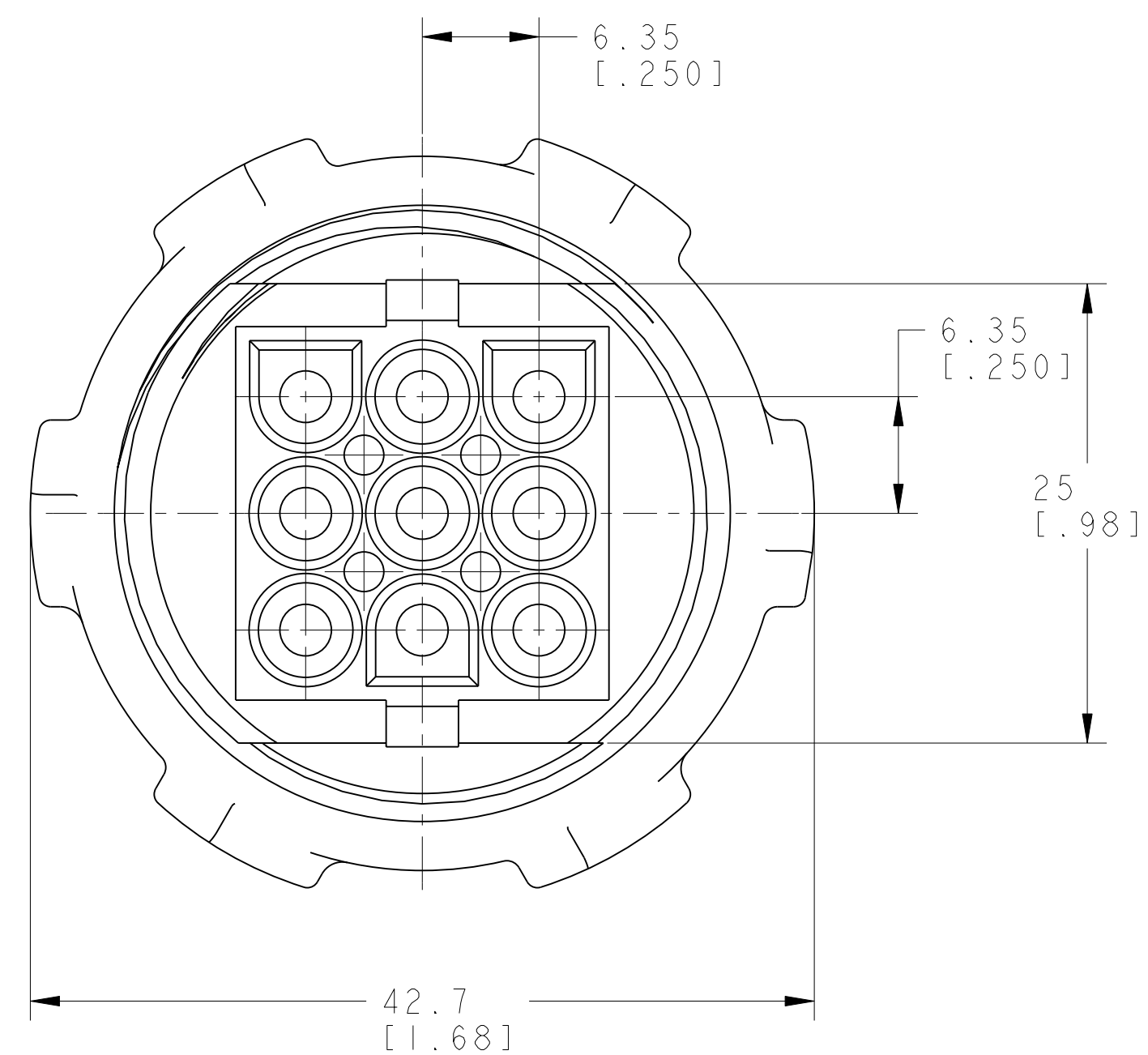
1

THIS DRAWING IS UNPUBLISHED. RELEASED FOR PUBLICATION 20
 © COPYRIGHT 20 BY TYCO ELECTRONICS CORPORATION. ALL RIGHTS RESERVED.

REVISIONS				
P	LTR	DESCRIPTION	DATE	APVD
A		RELEASED PER ECO-06-000794	13JAN06	KW SR



RECOMMENDED
 PANEL CUT-OUT
 SCALE 2:1



- ① LOCKNUT; METAL
 HOUSING; NYLON, FLAME RETARDANT,
 UL94-V0
 O-RING; NEOPRENE
- ② LOCKNUT; PLATED
- ③ LOCKNUT, SIX(6) OR EIGHT(8) SYMETRICAL
 PLACED GRIP POINTS PERMISSIBLE.

1604254-1
 PART NO

METRIC

<small>THIS DRAWING IS A CONTROLLED DOCUMENT FOR TYCO ELECTRONICS CORPORATION IT IS SUBJECT TO CHANGE AND THE CONTROLLING ENGINEERING ORGANIZATION SHOULD BE CONTACTED FOR THE LATEST REVISION.</small>		DWN J.C. YOSLER 22APR2002 CHR J.H. WEAVER 22APR2002 APVD J.H. WEAVER 22APR2002	tyco Tyco Electronics Electronics Harrisburg, PA 17105-3608
DIMENSIONS: mm [INCHES]	TOLERANCES UNLESS OTHERWISE SPECIFIED: 0 PLC ± 1 PLC ±0.5 [1.02] 2 PLC ±0.13 [1.00] 3 PLC ± 4 PLC ± ANGLES ± FINISH	PRODUCT SPEC APPLICATION SPEC WEIGHT	NAME BULKHEAD CONNECTOR ASSEMBLY, 9 CIRCUIT, UNIVERSAL MATE-N-LOK(TM)
MATERIAL ① -	FINISH ② -	CUSTOMER DRAWING	SIZE A2 CAGE CODE 00779 DRAWING NO C=1604254 RESTRICTED TO - SCALE 3:1 SHEET 1 OF 1 REV A