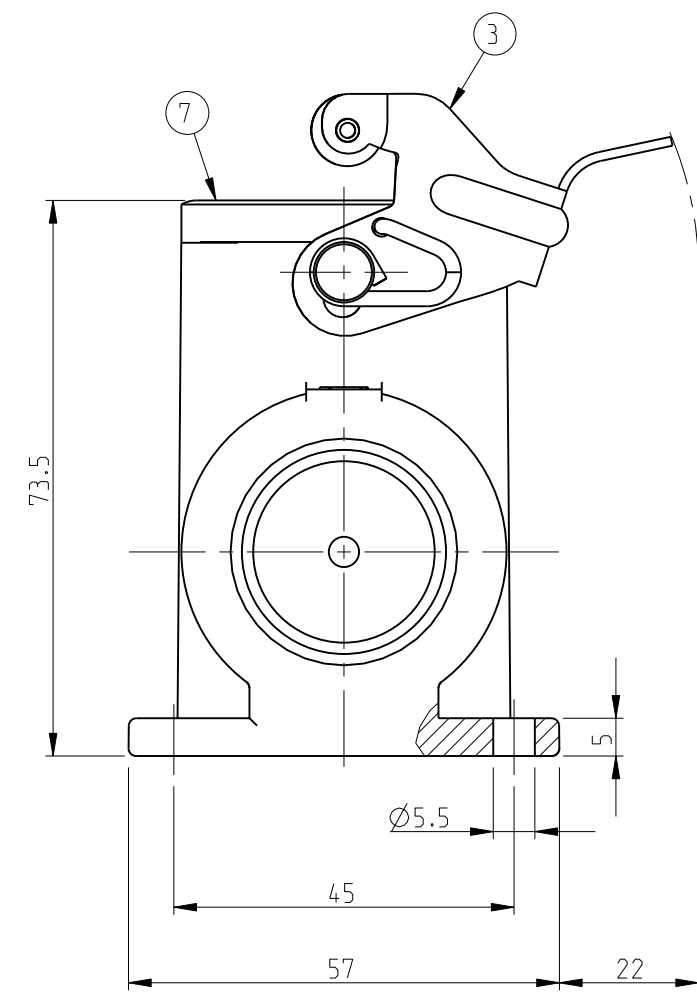
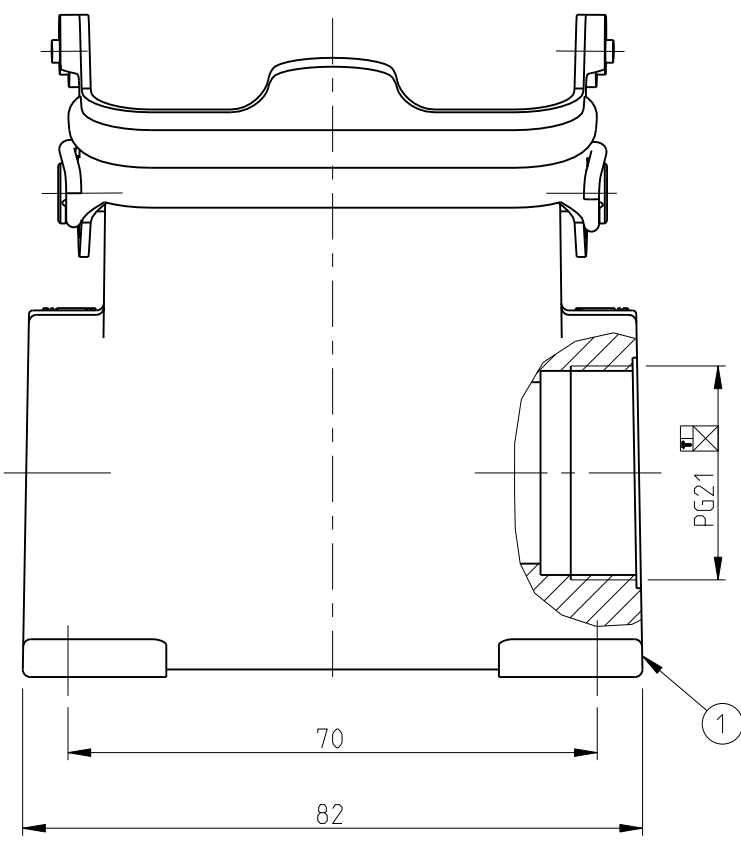


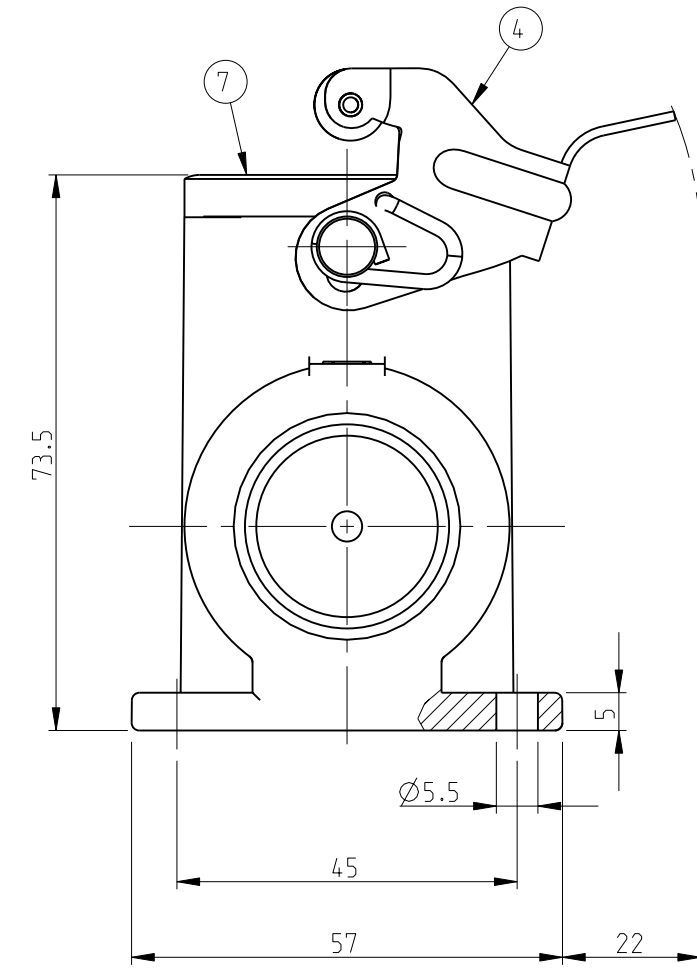
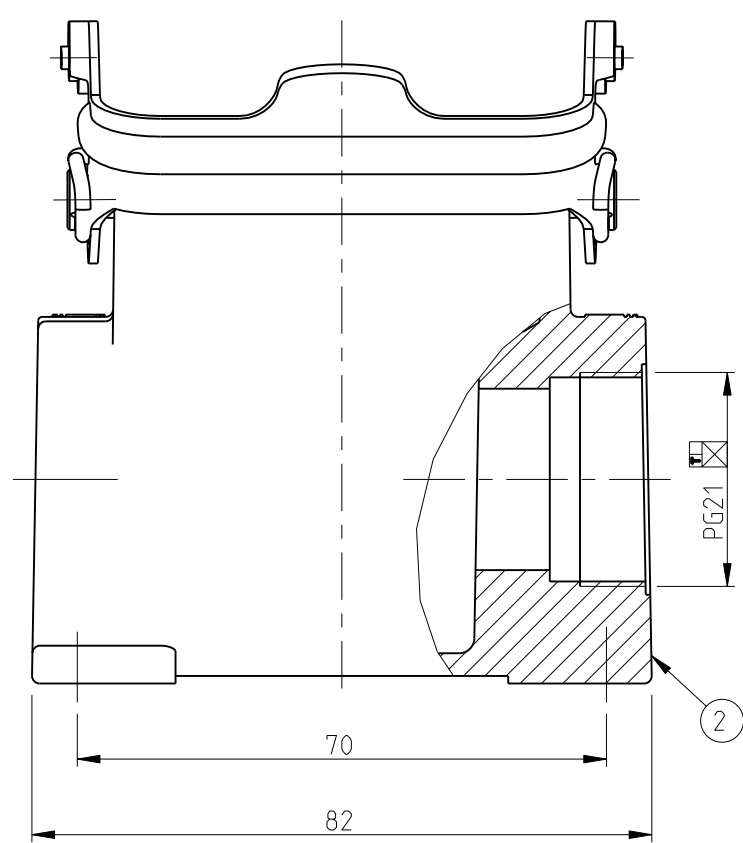
THIS DRAWING IS UNPUBLISHED. RELEASED FOR PUBLICATION .1997  
 © COPYRIGHT 1997 BY TYCO ELECTRONICS CORPORATION. ALL RIGHTS RESERVED.

LOC	DIST	REVISIONS			
P	LTR	DESCRIPTION	DATE	DWN	APVD
A1	-	Released as per ECR-08-017827	16.July.2008	SP	TS

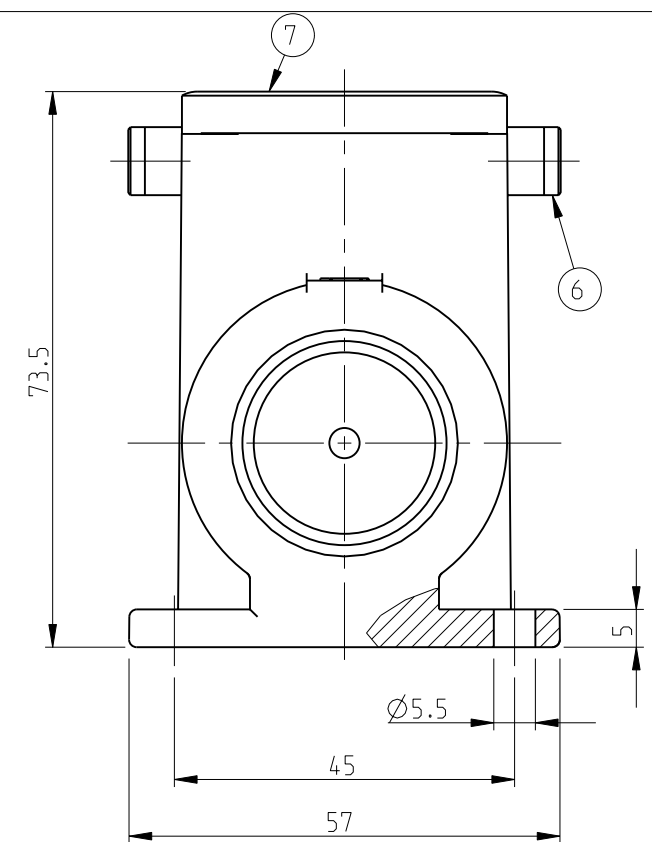
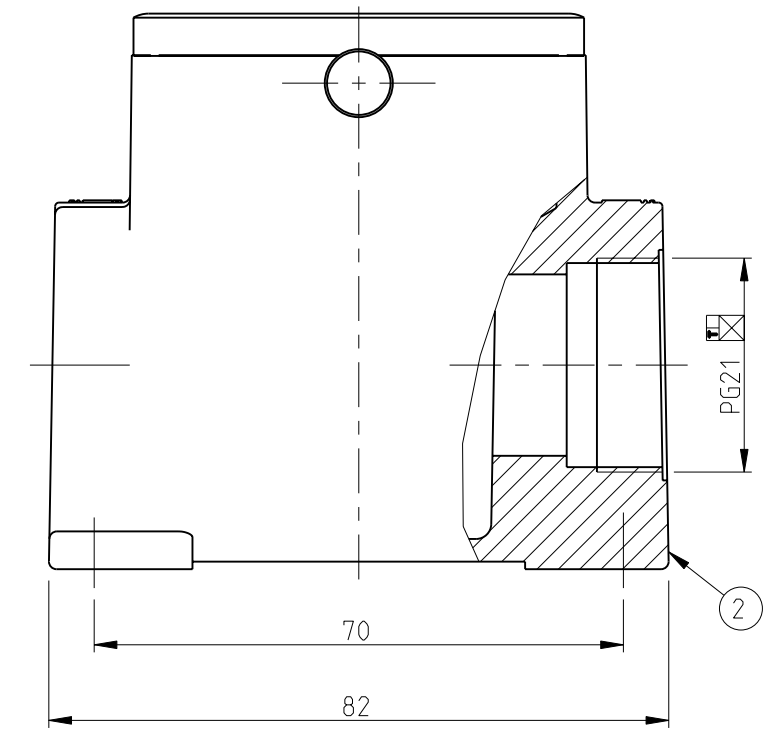
PN 1-2



PN 2-2

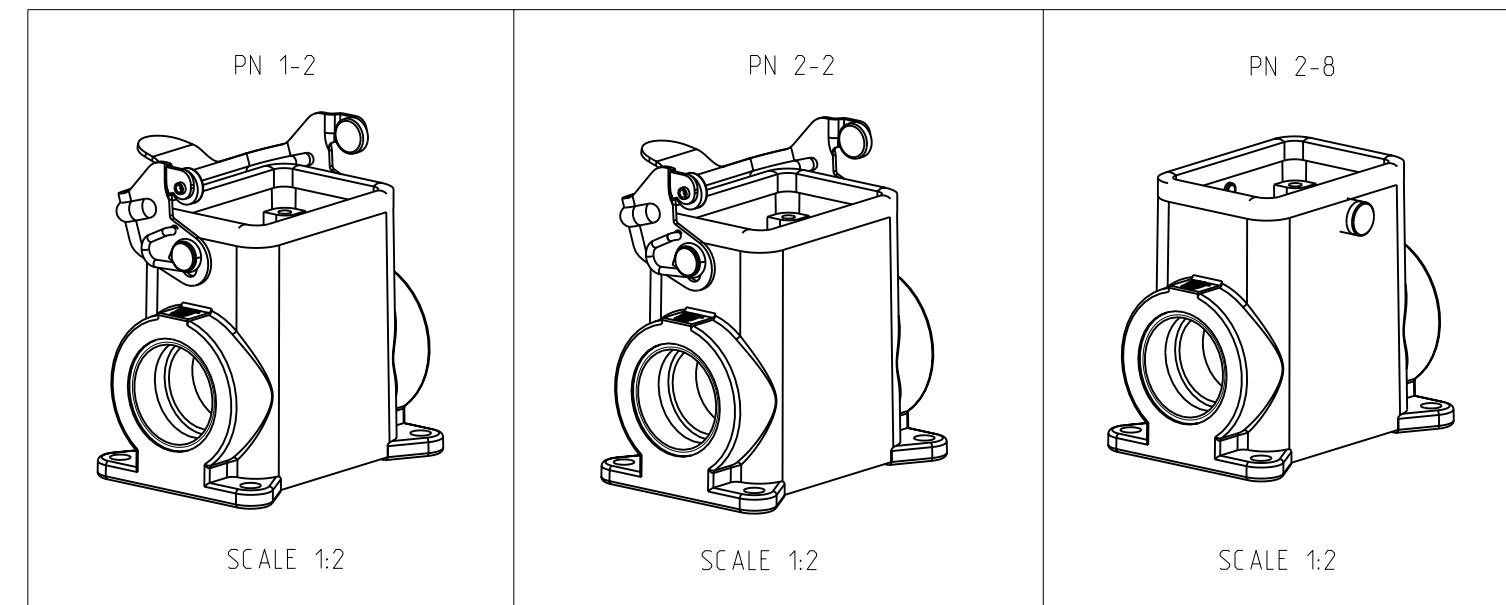


PN 2-8



NOTES.

- 1 Material:Housing:Aluminium Diecasting Alloy  
Seals:Neoprene
- 2 Surface:Varnish grey  
-Aluminium Oxide +Varnish Black
- 3 Varnish on the inside not necessary
- 4 Packaging  
Quantity 5 Pieces in a box



OBSOLETE		QTY	DESCRIPTION	MATERIAL	SURFACE	COLOR	ITEM NO	REMARKS
1	1	1	Profile Seal	Neoprene		Black	7	
2			ZB-Clip bolt	Stainless steel	Blank		6	
	2		ZB-Clip bolt	Steel	Zinc plated	Blue	5	
		1	LB-Side clip finished product	Stainless steel	Blank		4	
		1	LB-Side clip finished product	Steel	Zinc plated	Blue	3	
1		1	Surface mounted housing side entry HD-K	Aluminium	Aluminium oxide	Black	2	
1		1	Surface mounted housing side entry HD	Aluminium		Grey	1	

ORDERING TEXT
HD.16.SG-LB.1.21.Z
HD-K.16.SG-LB.1.21.Z
HD-Z.16.SG-ZVGR.1.21.Z
HD-K/Z.16.SG-ZVGR.1.21.Z

THIS DRAWING IS A CONTROLLED DOCUMENT FOR TYCO ELECTRONICS CORPORATION IT IS SUBJECT TO CHANGE AND THE CONTROLLING ENGINEERING ORGANIZATION SHOULD BE CONTACTED FOR THE LATEST REVISION.

DWN Schneider 20.08.2003  
 CHK Schneider 20.08.2003  
 APVD Schweiger

Tyco Electronics  
 Tyco Electronics,AMP.GmbH  
 D-53819,Neunkirchen,Germany

NAME Surface mounted housing side entry HD.16-LB/ZVGR.1.21.Z

SIZE A2 CAGE CODE 00779 DRAWING NO G-1102472 RESTRICTED TO -

MATERIAL - DIMENSIONS: mm TOLERANCES UNLESS OTHERWISE SPECIFIED: 0 PLC ±0.150 1 PLC ±0.200 2 PLC ±0.250 3 PLC ±0.300 4 PLC ±0.400 ANGLES ± FINISH -

PRODUCT SPEC - APPLICATION SPEC - WEIGHT - CUSTOMER DRAWING SCALE 1:1 SHEET 1 OF 1 REV A3