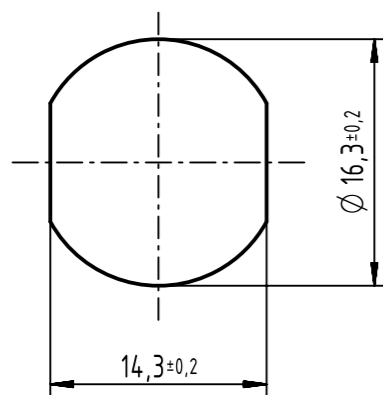
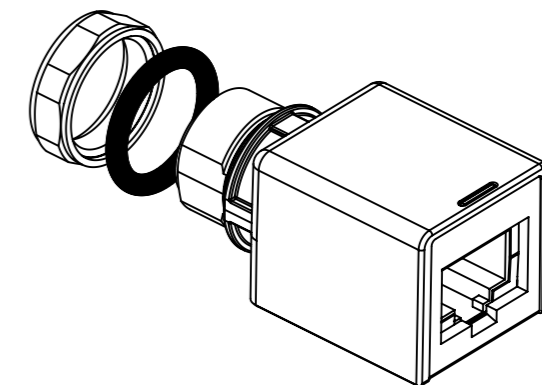
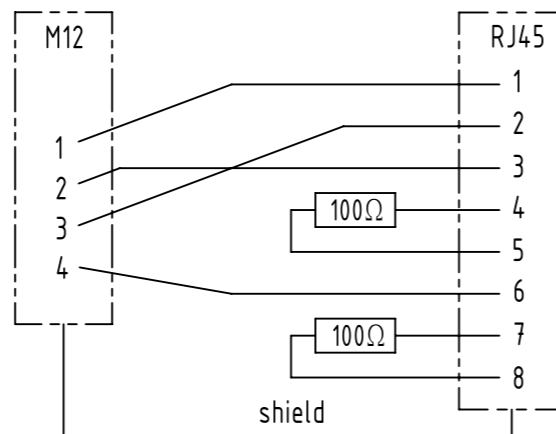


A
panel cut out



circuit diagram



	All rights reserved Department EC PD - DE	All Dimensions in mm Original Size DIN A3		Scale 2:1	Free size tol.	Ref. Sub. 21033812401 500000092825 2014.18.03	
		Created by STORCK	Inspected by WELLMANN	Standardisation KOHLER	Date 2015-08-05	State Final Release	Doc-Key / ECM-Nr. 100513256/UGD/007/C 500000092825
HARTING Electronics GmbH D-32339 Espelkamp		Title adapter M12-RJ45 straight			Type TB	Number 21033812401	Rev. C
							Page 1/1