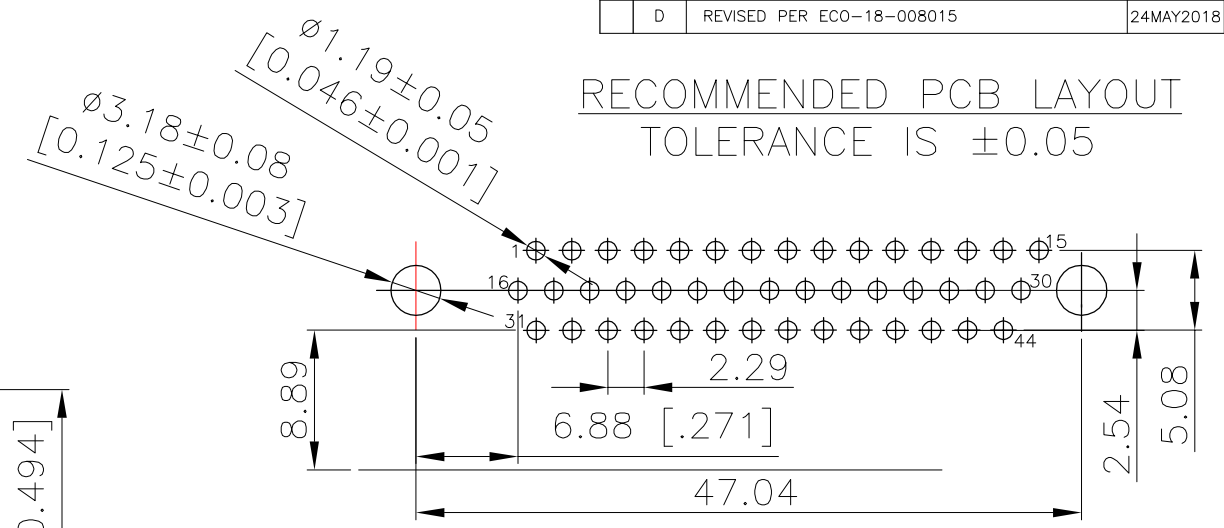
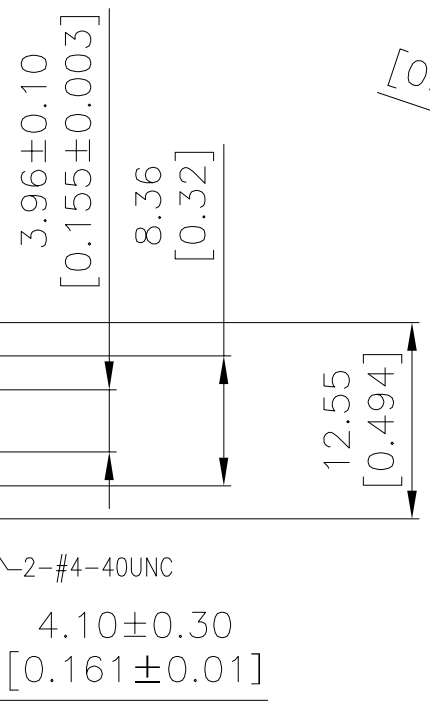
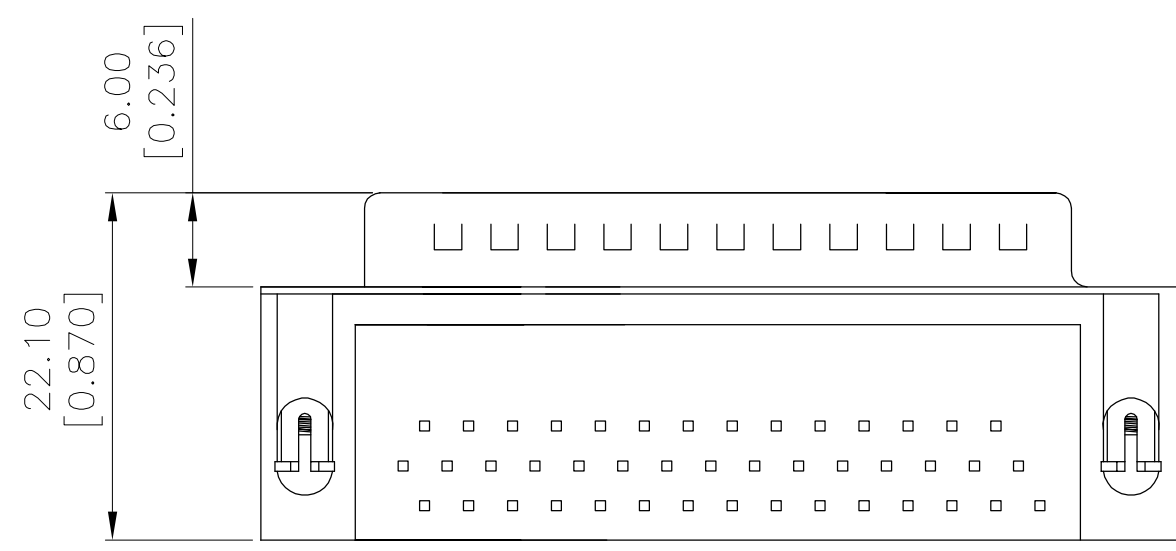
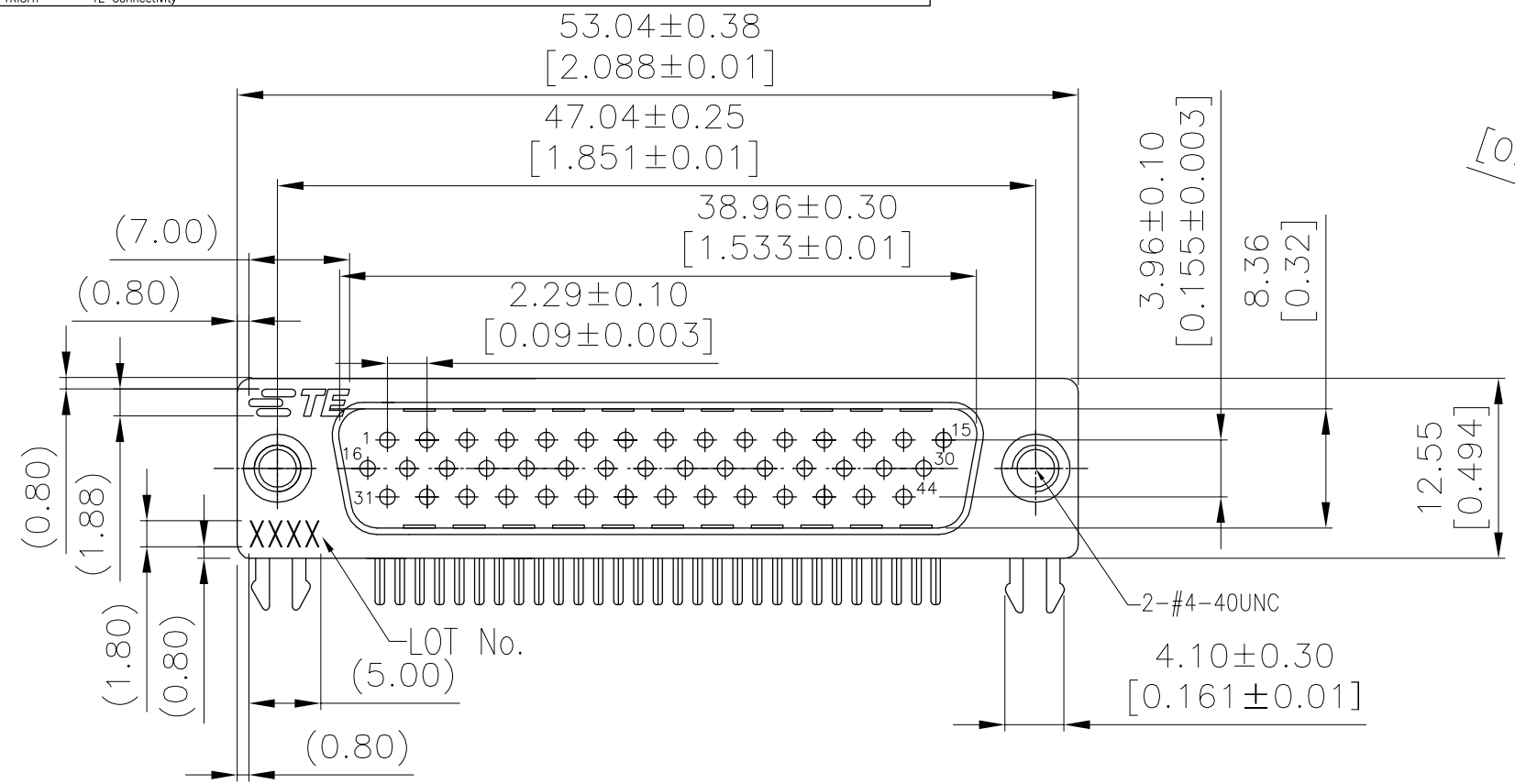


REVISIONS				
P	LTR	DESCRIPTION	DATE	APVD
D		REVISED PER ECO-18-008015	24MAY2018	AP DG



RECOMMENDED PCB LAYOUT
 TOLERANCE IS ±0.05

NOTES:

- Housing:PBT+30%GF(UL94V-0) BLACK
- Contact:Brass
- " GOLD PLATING ON CONTACT AREA
- 100u" MATTE TIN PLATING ON SOLDER TAIL
- 50u" NICKEL UNDERPLATED OVERALL
- HOLDDOWN:Brass,100u" TIN OVER 50u" NICKEL
- Shell: Cold Roller Steel, Ni Plated
- Revit:Brass,Nickel Plating

LOT NUMBER "XXXX"
 — Stands For Calendar Year
 — Stands For Week Number

THREADED	30μAu	2311777-1
TYPE	Contact Area	P/N
	Plating	

THIS DRAWING IS A CONTROLLED DOCUMENT.		DWN AJITH PAI 25FEB2017	STE TE Connectivity	
DIMENSIONS: mm		CHK DANIEL GORENC 25FEB2017		
TOLERANCES UNLESS OTHERWISE SPECIFIED:		APVD DANIEL GORENC 25FEB2017	NAME AMPLIMITE PLUG, HD22, RIGHT ANGLE, 44P THREADED	
0 PLC ± -		PRODUCT SPEC 108-130023	APPLICATION SPEC	
1 PLC ± -		SIZE A2	CAGE CODE 00779	DRAWING NO C-2311777
2 PLC ± 0.25		WEIGHT	RESTRICTED TO	
3 PLC ± -		CUSTOMER DRAWING		
4 PLC ± -		SCALE 1:1	SHEET 1 of 1	REV D
ANGLES ± -				
FINISH				