

THIS COPY IS PROVIDED ON A RESTRICTED BASIS AND IS NOT TO BE USED IN ANY WAY DETRIMENTAL TO THE INTERESTS OF PANDUIT CORP.

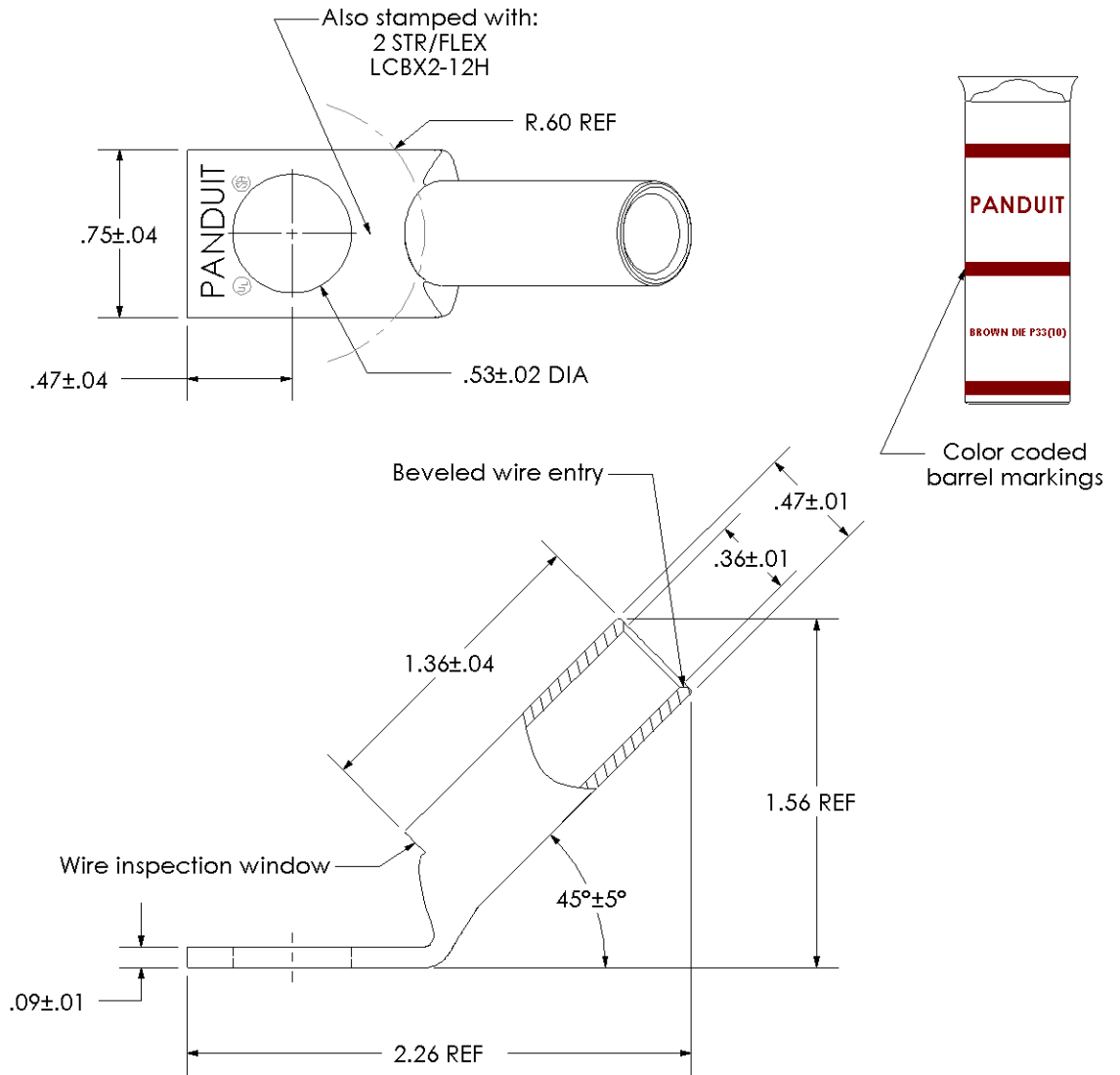
| | |
|--|--|
| Material | High Conductivity Seamless Copper Tube |
| Plating | Electro-Tin |
| Wire Size | 2 STR/FLEX |
| Wire Type | Stranded Copper: Class B & C Compact, Class G, H, I, K, M, Locomotive |
| Wire Strip Length | 1-7/16 in. |
| Stud Size | 1/2 in. |
| UL Listed Wire Connector | Yes, for applications up to 35kv. Consult cable manufacturer for voltage stress relief instructions with applications greater than 2000 volts. |
| UL Temperature Rating | 90° C |
| C.S.A Certified Wire Connector | Yes |
| Panduit Color Code on Barrel | BROWN |
| Panduit Die Index No. on Barrel | P33 |
| Alternate Industry Die Index No. () on Barrel | (10) |



CERTIFIED



LISTED Wire Connector



PANDUIT CORP. TINLEY PARK, ILLINOIS

LCBX2-12H-E
Copper Lug - One-Hole, Long Flex Barrel, 45° Angle Tongue

| 01 | 11/03 | DRL | DRL | TONGUE WIDTH WAS .79 | 11257 |
|-----|-------|-----|-----|----------------------|-------|
| REV | DATE | BY | CHK | DESCRIPTION | ECN |

SCALE N/A DRAWING NO / CAD FILE LCBX2-12H-CUST