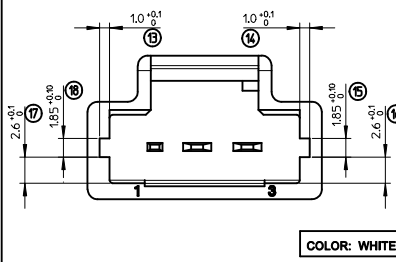
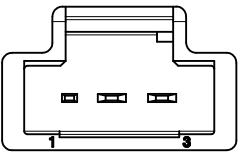
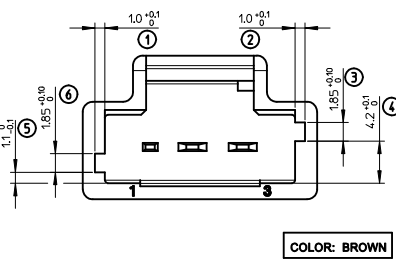
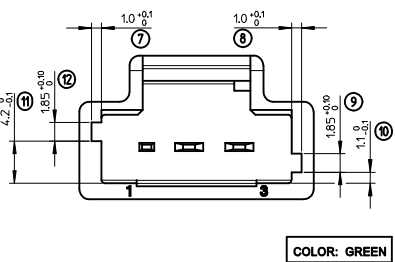
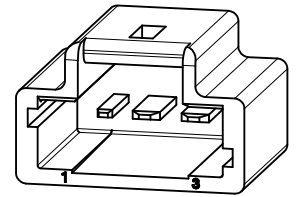


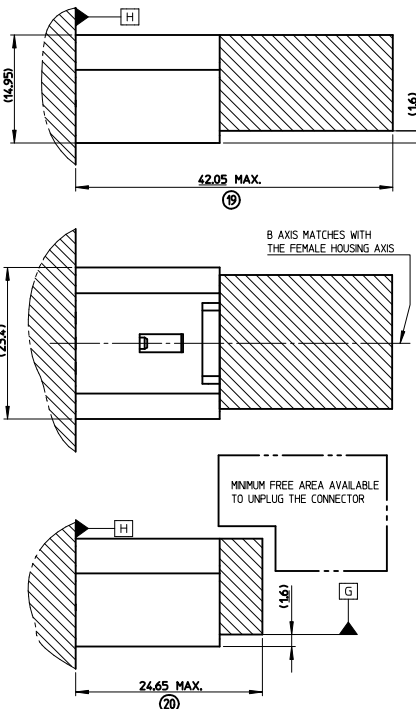
CODINGS



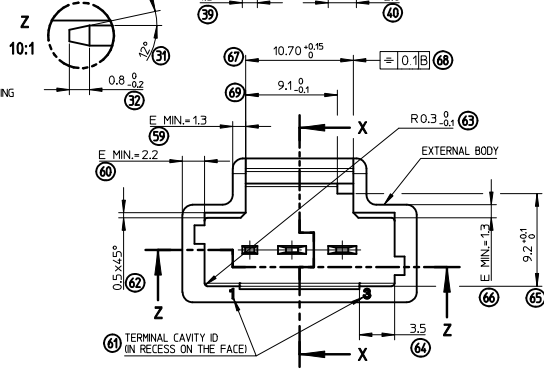
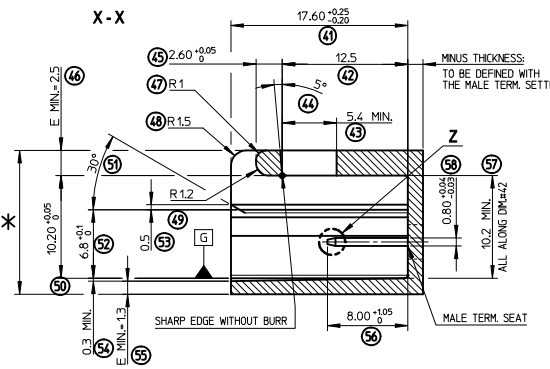
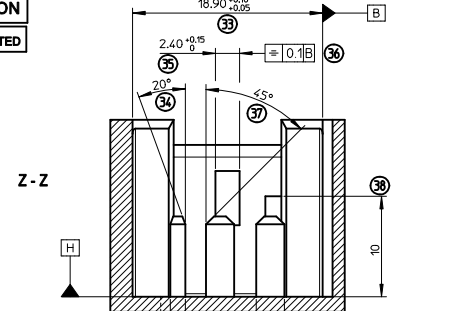
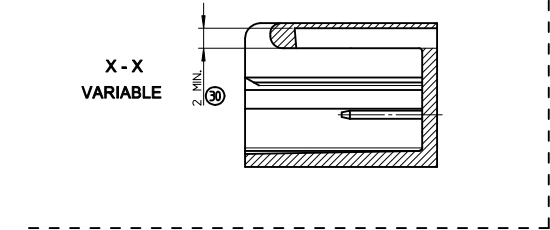
ISO VIEW (GREEN CODING)



OVERALL DIMENSIONS



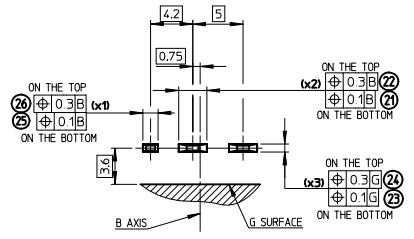
HEADER'S DEFINITION GREEN CODING REPRESENTED



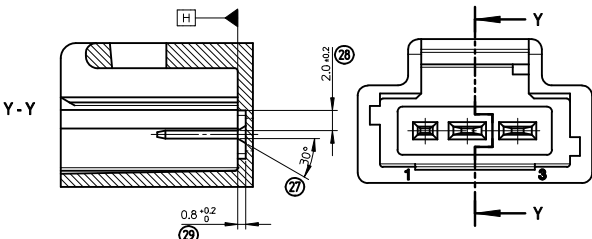
NOTES:

- MALE TERMINALS:**
- MALE TERMINALS RESISTANCE: 100N MIN IN MALE TERM. AXIS.
 - MATERIAL: COPPER, COPPER ALLOY OR BRASS.
 - FINISHES: TIN PLATED 2μ MIN.
- HEADER:**
- RADI WITHOUT DIM: R=0.3MM
 - E MIN: MINIMUM MATERIAL THICKNESS RECOMMENDED FOR SPECIFIED MATERIAL.
 - MATERIAL: PBT (RECOMMENDED) (70)
 - WARPING: 0.35MM MAX, ACCEPTED ON "A" DIM, WITH ANOTHER EXTERNAL SHAPE AS DRAWN WHEN PLUGGED.
- MATES WITH:**
- MOLEX CONNECTORS 98821-103X

MALE TERMINALS SETTING



MALE TERMINALS VARIABLE SETTING

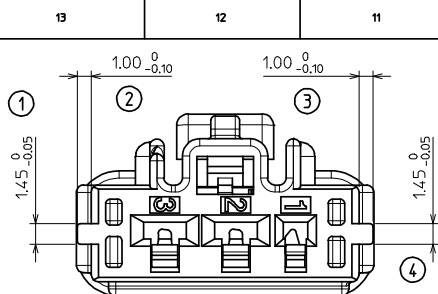


REV.	FIRST	LAST	DELETED	SUPERSEDED
	(1)	(70)		

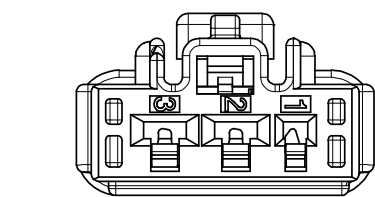
INSPECTION NUMBERS

REV.	MODIFICATIONS
A	- PRINT FIRST RELEASE

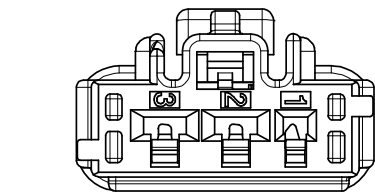
PRINT 1st RELEASE EC NO: G2012-0983 DRAWING DESBRUERES 2012/04/19 CHKD: JUDUCLOS 2012/04/19 APPROF: PLESSIS 2012/04/23	QUALITY SYMBOLS 4 PLACES ± --- ± --- 3 PLACES ± 0.1 ± --- 2 PLACES ± 0.1 ± --- 1 PLACE ± 0.1 ± --- 0 PLACE ± --- ± ---	GENERAL TOLERANCES (UNLESS SPECIFIED) mm INCH ANGULAR ± 2 ° DRAFT WHERE APPLICABLE MUST REMAIN WITHIN DIMENSIONS	DIMENSION STYLE MM ONLY DRAWN BY DATE GDESBRUERES 2012/04/19 CHECKED BY DATE JUDUCLOS 2012/04/19 APPROVED BY DATE OPLESSIS 2012/04/23	SCALE 4:1 DESIGN UNITS METRIC FIRST ANGLE PROJECTION	TITLE 3W INTERFACE HYB. TERM (FOR FEMALE HOUSING)	<b style="font-size: 12px;">molex DOCUMENT NO. SD-98820-001	SHEET NO. 1 OF 1
	MATERIAL NO. N/A THIS DRAWING CONTAINS INFORMATION THAT IS PROPRIETARY TO MOLEX INCORPORATED AND SHOULD NOT BE USED WITHOUT WRITTEN PERMISSION						



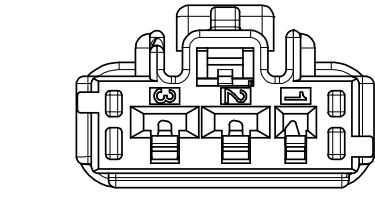
WHITE CODING
0988211030



BLACK CODING
0988211031



GREEN CODING
0988211035

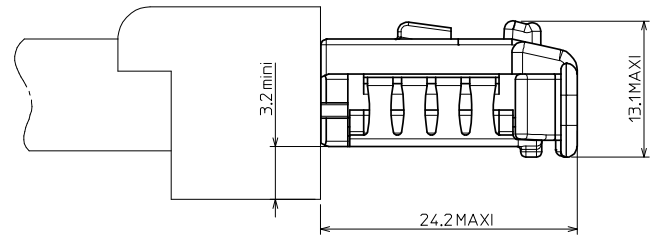
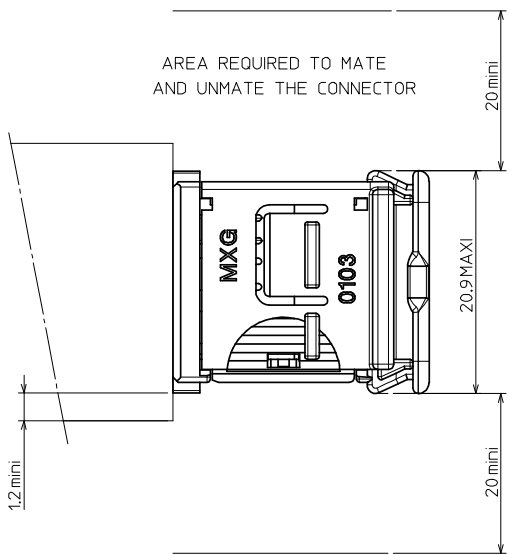


BROWN CODING
0988211039

CODING 4:1

HANDLING AREA

AREA REQUIRED TO MATE
AND UNMATE THE CONNECTOR

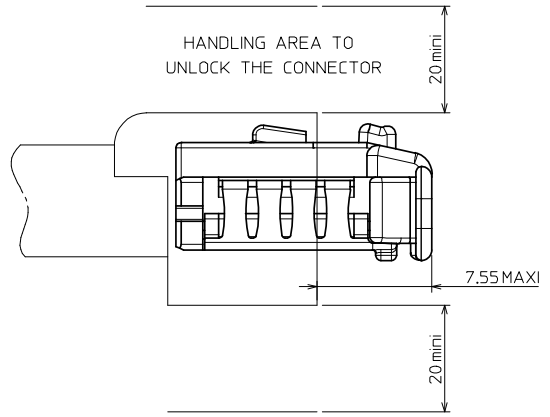


NOTE : 1 - The using conditions of the hinge are shown in the MOLEX specification n°AS-98821-001.

2 - Female terminal used :

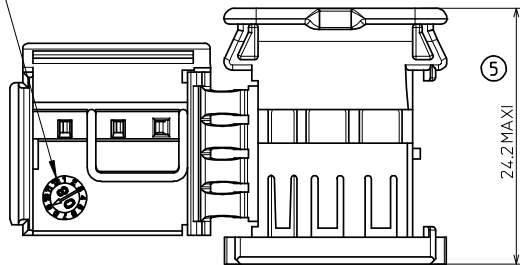
- * For cavity 1.5 mm : SCC RCPT TERM 1.5mm
 - Range 1 : 0988971109 (0.22 mm² to 2x0.22 mm²)
 - Range 2 : 0988971119 (0.5 mm² to 1 mm² included)
 - Range 3 : 0988971129 (2x0.5 mm² to 2 mm² included)
- * for cavity 2.8 mm : RCPT TERM 2.8 mm UCC2
 - Range 1 : 0988981029 (0.34 mm² to 0.68 mm²)
 - Range 2 : 0988981039 (0.93 mm² to 2.16 mm²)
 - Range 3 : 0988981049 (2.26 mm² to 4.95 mm²)

AREA REQUIRED WHEN THE CONNECTOR IS MATED



FIRST RELEASE EC NO: G2009-0009 DRAWN: LPOUCHAUD 2008/07/28 CHKD: YIGEL 2008/07/28 APPR: LSTICKEIR 2008/07/29	DESCRIPTION QUALITY SYMBOLS 	GENERAL TOLERANCES (UNLESS SPECIFIED)		DIMENSION STYLE		SCALE	DESIGN UNITS	THIRD ANGLE PROJECTION		
				MM ONLY		3:1	METRIC			
		4 PLACES	± ---	± ---	DRAWN BY	DATE	TITLE			
		3 PLACES	± ---	± ---	LPOUCHAUD	2008/06/18	NSCC HYBRID RCPT CONN 3CKT			
2 PLACES	± ---	± ---	CHECKED BY	DATE	MOLEX INCORPORATED					
1 PLACE	± 0.10	± ---	YIGEL	2008/06/18						
ANGULAR ± 2 °		APPROVED BY		DATE	DOCUMENT NO. SD-98821-001 SHEET NO. 1 OF 2					
DRAFT WHERE APPLICABLE MUST REMAIN WITHIN DIMENSIONS		LSTICKEIR		2008/06/18						
SEE CHART		THIS DRAWING CONTAINS INFORMATION THAT IS PROPRIETARY TO MOLEX INCORPORATED AND SHOULD NOT BE USED WITHOUT WRITTEN PERMISSION								

DATUM MONTH/YEAR

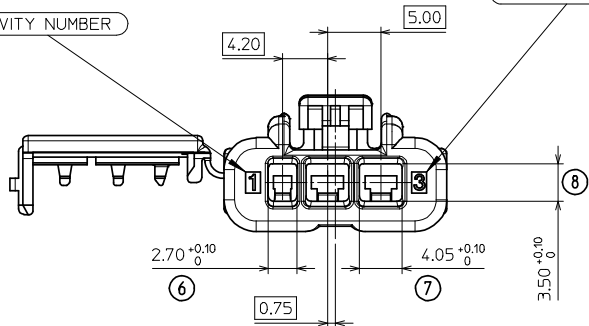


5

24.2 MAXI

CAVITY NUMBER

CAVITY NUMBER



2.70 +0.10/0

6

4.20

0.75

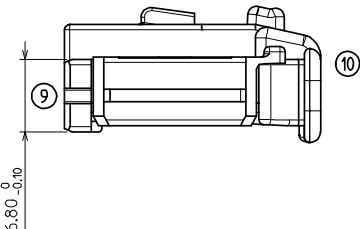
4.05 +0.10/0

7

3.50 +0.10/0

8

5.00

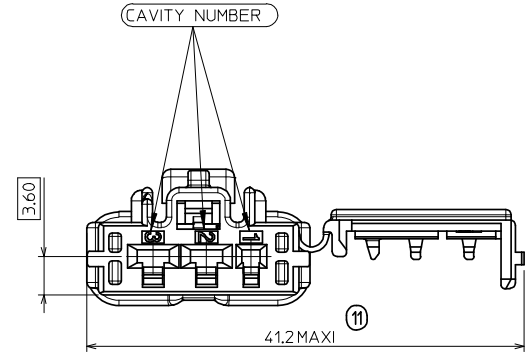


6.80 0/-0.10

9

10

CAVITY NUMBER



3.60

41.2 MAXI

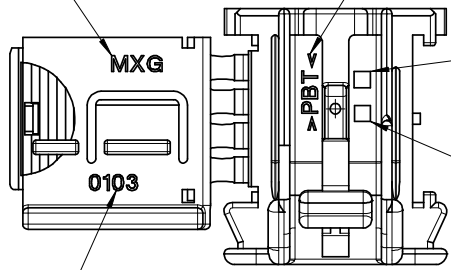
11

SUPPLIER ENGINEERING CONTROL

RAW MATERIAL

PRINT NUMBER

SUPPLIER MODIFICATION LEVEL



MXG

0103

PRINT

SUPPLIER PART NUMBER

WHITE CODING (P/N 0988211030) IS SHOWN.

NSCC HYBRID RCPT CONN 3CKT	0988211039	Brown	POLYESTER (PBT)	2.694 g			
	0988211035	Green					
	0988211031	Black					
	0988211030	White					
Description	Part-Number	Color	Raw Material	Weight effective			
FIRST RELEASE EC NO: G2009-0009 DRAWN: LPOUCHAUD 2008/07/28 CHKD: YIGEL 2008/07/28 APPR: LSTICKEIR 2008/07/29	QUALITY SYMBOLS ▽=0 ▽=0	GENERAL TOLERANCES (UNLESS SPECIFIED)		DIMENSION STYLE MM ONLY	SCALE 3:1	DESIGN UNITS METRIC	THIRD ANGLE PROJECTION
		4 PLACES ± --- ± --- 3 PLACES ± --- ± --- 2 PLACES ± --- ± --- 1 PLACE ± 0.10 ± --- ANGULAR ± 2 °	mm INCH DRAWN BY DATE LPOUCHAUD 2008/06/18 CHECKED BY DATE YIGEL 2008/06/18 APPROVED BY DATE LSTICKEIR 2008/06/18 MATERIAL NO.	TITLE NSCC HYBRID RCPT CONN 3CKT	DOCUMENT NO. SD-98821-001	SHEET NO. 2 OF 2	
DRAFT WHERE APPLICABLE MUST REMAIN WITHIN DIMENSIONS		SEE CHART		THIS DRAWING CONTAINS INFORMATION THAT IS PROPRIETARY TO MOLEX INCORPORATED AND SHOULD NOT BE USED WITHOUT WRITTEN PERMISSION			