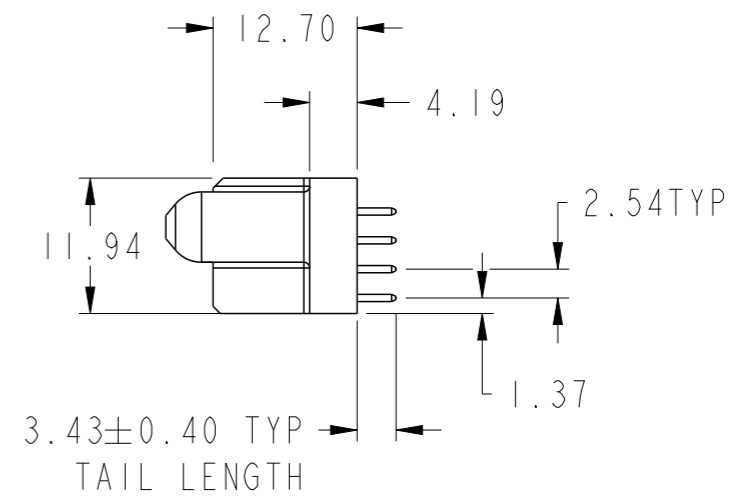
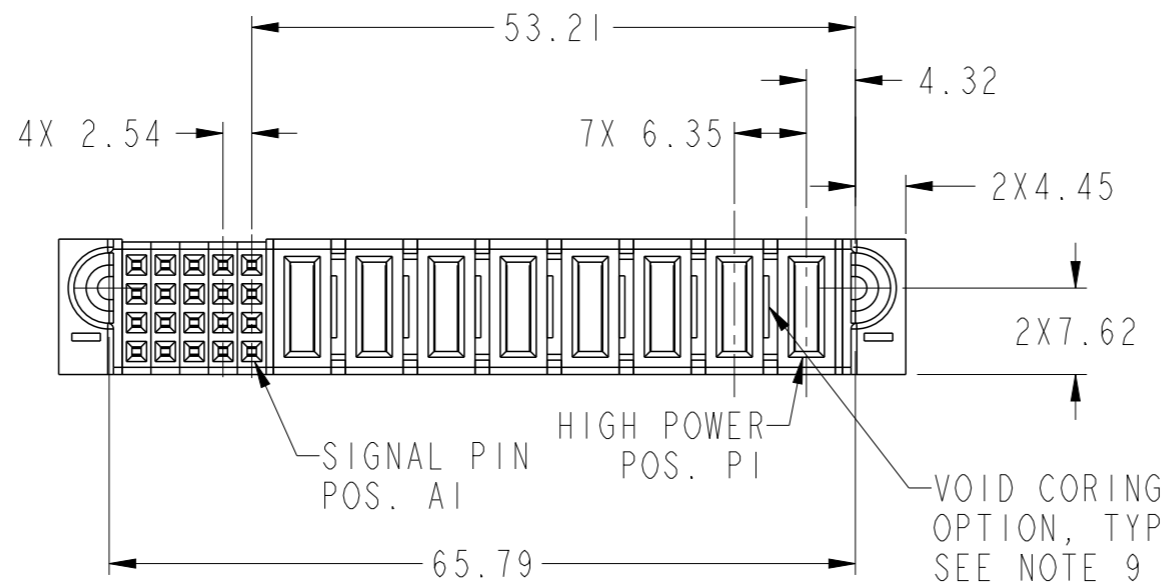
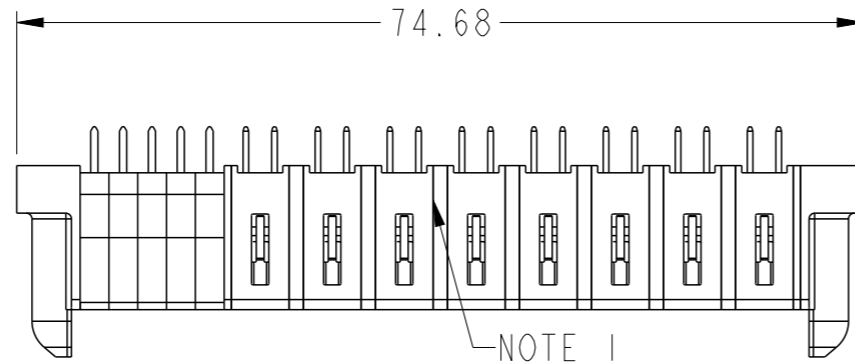
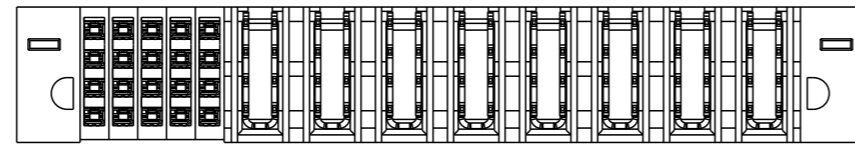


PRODUCT NUMBER SEE SHEET 2



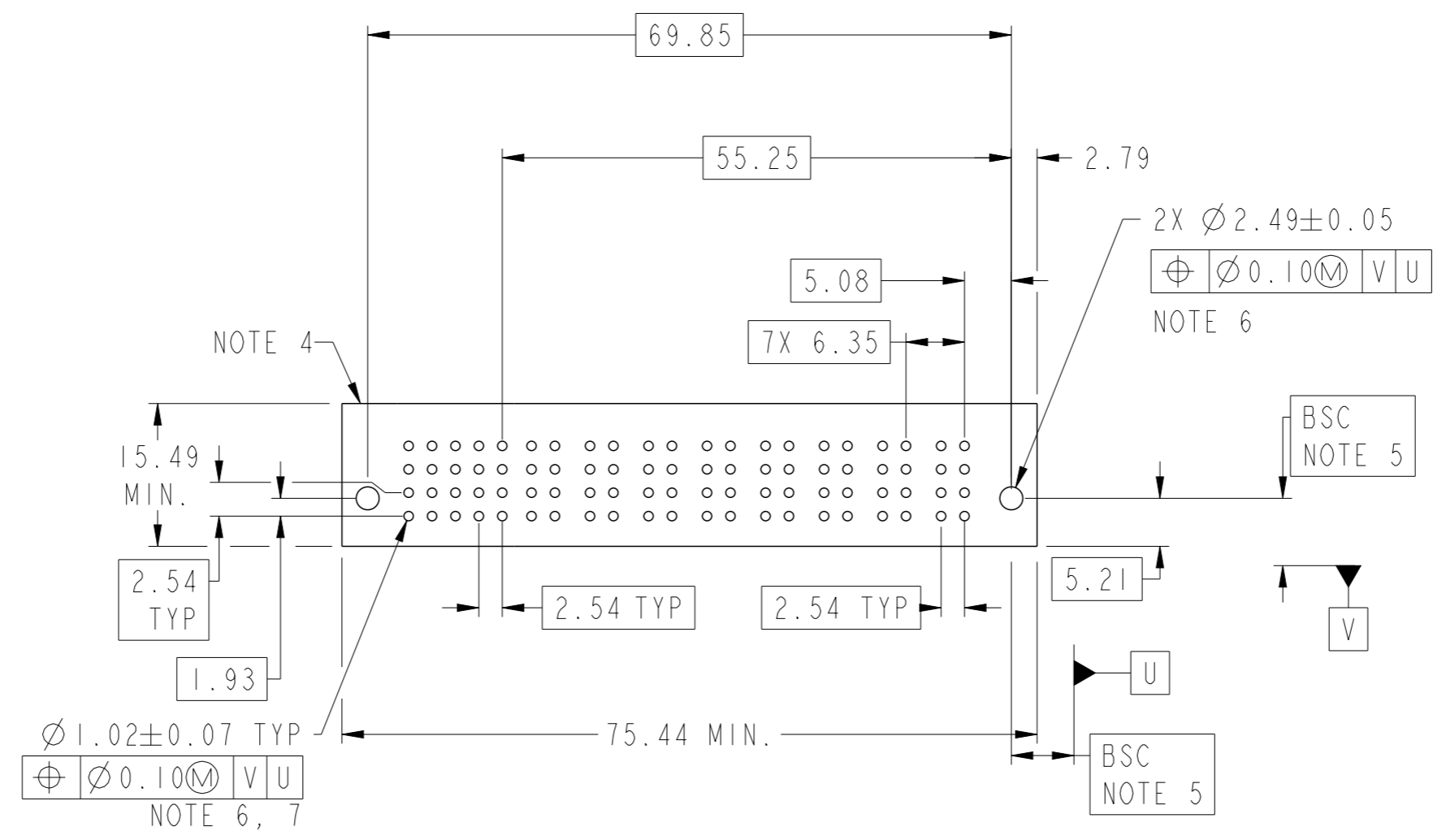
spec ref		dr	Peng-Bing Fu	2012/09/19	projection	MM	size	A3	scale	3:2
tolerance std ASME Y14.5		TOLERANCES UNLESS OTHERWISE SPECIFIED			eng	Peng-Bing Fu	2013/03/13	ecn no	-	
		chr	-		appr	Pei-Ming Zheng	2013/03/13	rel level	Released	
surface ✓		linear	0.X	±0.50	product family		PowerBlade+	dwg no	10106130-8005001	rev
			0.XX	±0.25	www.fci.com		8HP + 20S			A
ASME Y14.5		angular	0°	±2°	cat. no.		VT STB RECEPTACLE	Product - Customer Drw		sheet 1 of 3



Copyright FCI.

PRODUCT NO.	ROWS	SIGNAL		HIGH POWER												
		E1	5	4	3	2	1	P8	P7	P6	P5	P4	P3	P2	P1	E2
10106130-8005001LF	DCBA	E E E E E E					H3	H3	H3	H3	H3	H3	H3	H3	H3	

CODE	DESCRIPTION
E	STD SIGNAL CONTACT
H3	STD HIGH POWER CONTACT (3.43)



Copyright FCI.

dr	Peng-Bing Fu	2012/09/19	projection	MM	size	A3	scale	3:2
eng	Peng-Bing Fu	2013/03/13			ecn no			
chr	-	-			-			
appr	Pei-Ming Zheng	2013/03/13	product family	PowerBlade+	rel level			
			title 8HP + 20S VT STB RECEPTACLE		dwg no 10106130-8005001		rev A	
www.fci.com			cat. no.		Product - Customer Drw			sheet 2 of 3

A

B

C

D

A

B

C

D

NOTES:

- 1) "FCI", PART NUMBER AND DATE CODE TO BE MARKED ON THIS SURFACE.
THE MARK CAN BE OMITTED IF THERE IS NOT ENOUGH SPACE ON THIS SURFACE.
- 2) MATERIALS:
-HOUSING - GLASS FILLED WITH HIGH TEMP THERMOPLASTIC, UL94V-0.
-SIGNAL CONTACT - COPPER ALLOY.
-POWER CONTACT - HIGH CONDUCTIVITY COPPER ALLOY.
- 3) PLATING SPECIFICATION REFER TO FCI 10116351
- 4) DENOTES CONNECTOR KEEP OUT ZONE.
- 5) DATUM AND BASIC DIMENIONS WERE ESTABLISHED BY CUSTOMER.
- 6) ALL HOLE DIAMETERS ARE FINISHED HOLE SIZES.
- 7) 1.15 ± 0.025 MM DRILLED HOLE PLATED WITH 0.00762MM MIN Sn
OVER 0.0254-0.0762MM Cu PLATING TO ACHIEVE A 1.02 ± 0.07 MM HOLE.
- 8) PRODUCT SPECIFICATION REFER TO FCI GS-12-658.
APPLICATION SPECIFICATION REFER TO FCI GS-20-141.
PRODUCT PACKAGED IN TRAYS, REFER TO FCI GS-14-1502.
- 9) THE VOID CORING IN BETWEEN POWER MODULES, SIGNAL
MODULES AND END MODULES ARE OPTIONAL AND THE SHAPE
MAY BE DIFFERENT FOR OPTIMIZE THE MOLDING PROCESS. THE
VOID CORING WILL NOT EFFECT TO PRODUCT FUNCTION.



Copyright FCI.

dr	Peng-Bing Fu	2012/09/19	projection 	MM 	size	A3	scale	1:1
eng	Peng-Bing Fu	2013/03/13			ecn no	-		
chr	-	-	product family	PowerBlade+	rel level	Released		
appr	Pei-Ming Zheng	2013/03/13			title 8HP + 20S VT STB RECEPTACLE	dwg no 10106130-8005001	rev A	www.fci.com
cat. no.			Product - Customer Drw			sheet 3 of 3		