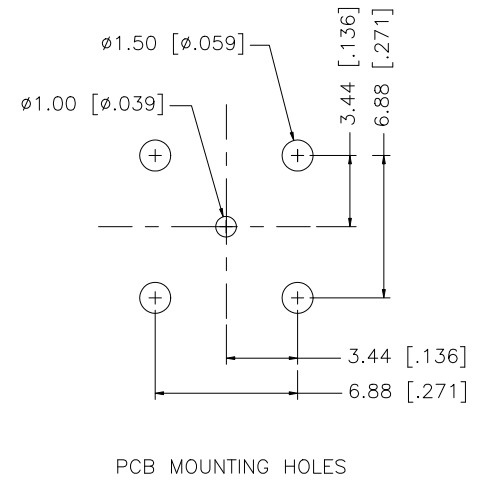
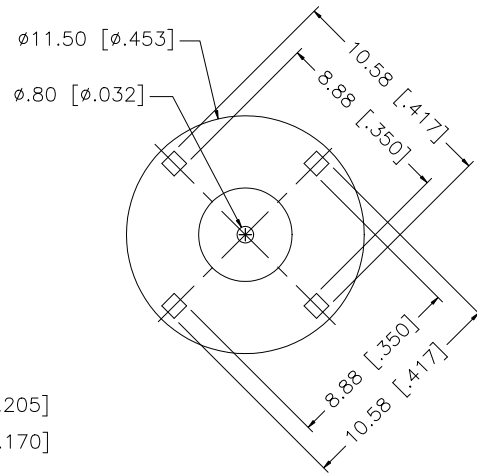
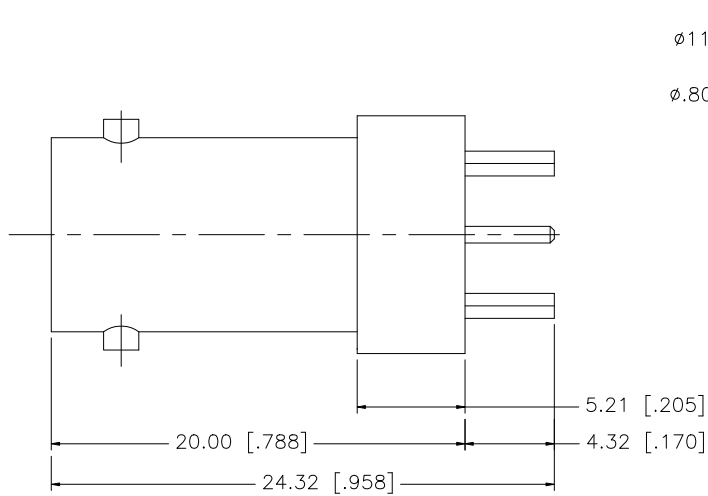


REV.	DATE	ECR NO.	DESCRIPTION
A	03/20/03	-	UPDATE DRAWING FORMAT
B	01/21/09	100075	REVISE BODY PLATING TO NICKEL



8				
7				
6				
5				
4				
3	CONTACT PIN	PHOS. BRONZE	GOLD	1
2	INSULATOR	PTFE	NATURAL	1
1	BODY	BRASS	NICKEL	1
	DESCRIPTION	MATERIAL	FINISH	QTY

UNLESS OTHERWISE SPECIFIED DIMENSIONS ARE IN MILLIMETERS. DIMENSIONS IN [ ] ARE IN INCHES AND FOR CUSTOMER REFERENCE ONLY.

UNLESS OTHERWISE SPECIFIED TOLERANCES FOR MILLIMETERS ARE:  
0.5 - 8mm ± 0.20mm  
8 - 30mm ± 0.40mm  
30 - 120mm ± 0.50mm

UNLESS OTHERWISE SPECIFIED TOLERANCES FOR INCHES ARE:  
.020 - .315 = ± 0.007"  
.315 - 1.180 = ± 0.015"  
1.180 - 4.724 = ± 0.020"

DO NOT SCALE DRAWING

APPROVALS	DATE
DRAWN GRS	01/21/09
CHECKED	
ISSUED	
SHEET 1 OF 1	
CAD FILE	C:/112/112515.DWG

# Amphenol Connex

PART DESCRIPTION			
BNC P.C. MOUNT RECEPTACLE JACK (50 ohm)			
PART NO. 112515			
DWG. NO.	112515.DWG	REV.	B
SIZE	A	SCALE	NA