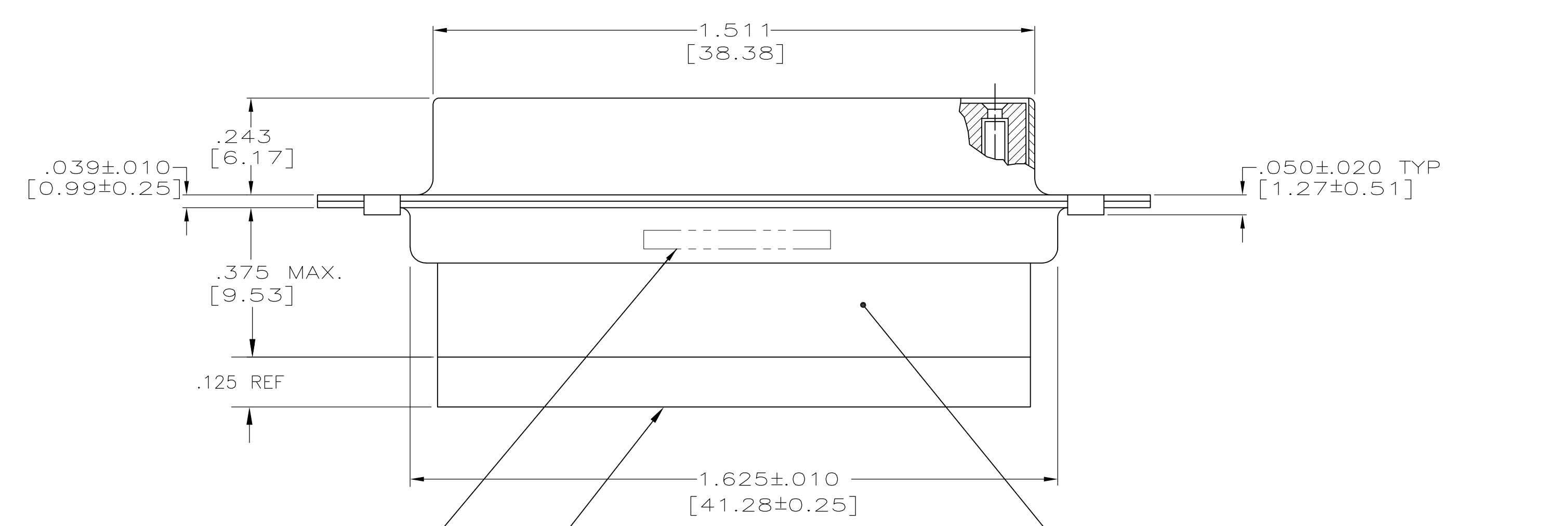


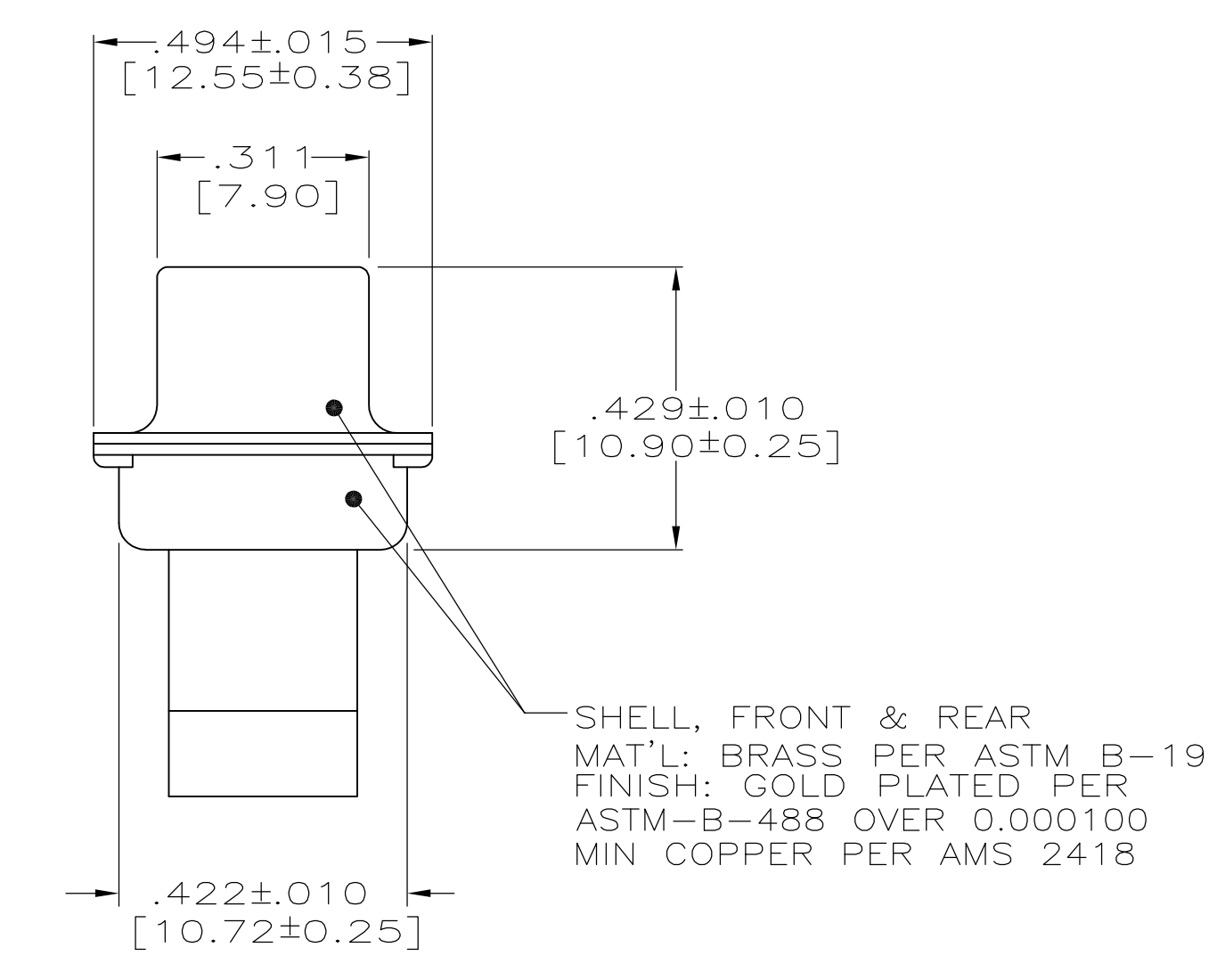
- THIS RECEPTACLE WILL MATE WITH ANY 44 POSN, SIZE 3 PLUG IN AMPLIMITE SERIES.
- BE-CU RETENTION CLIPS (44) ARE INCLUDED IN INSERT AND INSTALLED WITH TINES.
- POINTING TOWARDS MATING FACE
- CONNECTOR SUPPLIED WITHOUT CONTACTS, SHOWN FOR ILLUSTRATION ONLY
- OVERALL DIMENSIONS DO NOT INCLUDE RAISED CAVITY ID
- MARKING: FAR SIDE REFERS TO WIDE SIDE OF KEYSTONE. NEAR SIDE REFERS TO NARROW SIDE OF KEYSTONE
- 100% INSPECTION REQUIRED PER BOEING 1B01:
 - VISUAL
 - DWV
 - IR
- CUSTOMER REQUIRES SINGLE LOT DATE CODE.
- SPECIAL REQUIREMENTS:
 - TEST TWO CONNECTORS PER LOT FOR COMPLIANCE TO GROMMET PEEL STRENGTH REQUIREMENTS.
 - TEST ALL CIRCUIT CAVITIES FOR MISALIGNMENT OR EXCESSIVE ADHESIVE.



△ CUSTOMER P/N (IF APPLICABLE) MARKED ON FAR SIDE. MANUFACTURER'S NAME, BRAND NAME OR LOGO AND MANUFACTURER'S PART NO AND DATE CODE MARKED ON NEAR SIDE

INSERT ASSEMBLY
 POLYPHENYLENE SULFIDE (PPS)
 GST-40-F PER MIL-M-24519
 OR GLASS FILLED POLYESTER
 TPES013G30 PER ASTM-D-5927

GROMMET MATERIAL: SILICONE RUBBER



AS SHOWN-WITH CUSTOMER PART NO 1B01-027RHW MARKED	1-211669-1
SAME AS -1 EXCEPT NO CUSTOMER MARKING	211669-3
SAME AS -1 EXCEPT WITH CUSTOMER NUMBER 2A065-021V-001 MARKED	211669-2
AS SHOWN-WITH CUSTOMER PART NO 1B01-027 MARKED	211669-1
DESCRIPTION	PART NO

THIS DRAWING IS A CONTROLLED DOCUMENT.

DWY	P. YEAGER	26JUN06	Tyco Electronics Tyco Electronics Corporation Harrisburg, PA 17105-3608
CHK	D. MILLER	30JUN06	
APP'D	D. MILLER	30JUN06	NAME
DIMENSIONS: INCHES			PRODUCT SPEC
TOLERANCES UNLESS OTHERWISE SPECIFIED:			APPLICATION SPEC
0 PLC	±	-	SIZE
1 PLC	±	-	CAGE CODE
2 PLC	±	-	DRAWING NO
3 PLC	±	.005 [0.13]	RESTRICTED TO
4 PLC	±	-	
ANGLES	±	-	
FINISH	SEE CALLOUTS		
MATERIAL	SEE CALLOUTS	WEIGHT	
CUSTOMER DRAWING			SCALE 4:1 SHEET 1 OF 1 REV J