

Smart Box (part no. 74-00003.1)

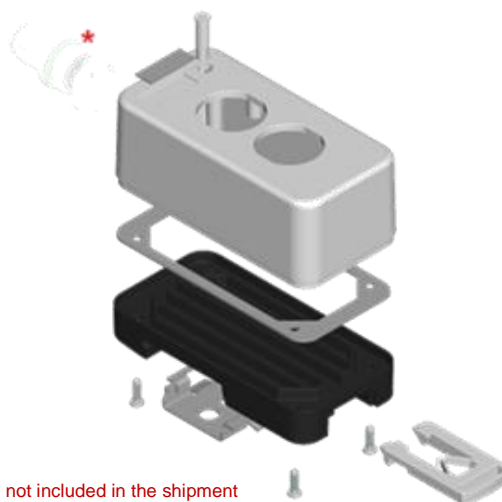
Technical specifications

Description

Housing construction kit with holes for two EAO Series 84 pushbuttons and separate M12 plug. Housing protection when assembled with specified switches and M12 plug together is compliant with IP67.

Shipped:

- Empty Smart Box in unassembled condition
- plug is not included in shipment
- S84 pushbutton components are not included in shipment



Items / materials included in shipment:

Materials

Upper part of housing:	PBT / UL-V0 / colour similar to RAL9010
Lower part of housing:	PBT / UL-V0 / colour similar to RAL9011
Spring element (for restraint):	POM (nature)
Seal:	MVQ silicone foam bright
Light pipe:	PC / glass clear
Mounting adaptor:	Stainless steel 1.4301 / surface vibratory finish
Housing screws:	Stainless steel A2
Marking plate:	Black PVC / surface aluminium-coloured, adhesive

Drilling patterns:

EAO Series 84 button: Actuator part no. 84-2101.0 and similar

Hole for M12 plug:

Installation optimised for plugs from Murr Elektronik
Basic version: Type 17162

Operating conditions

Temperature range:

Operating temperature: -25 ... 60°C
Storage temperature: -40 ... 85°C

Standards:

Degree of protection: IP67 (in screwed condition / with mounted pushbuttons and female connector)

Mechanical characteristics

Housing dimensions:

Assembly / mounting dimensions:

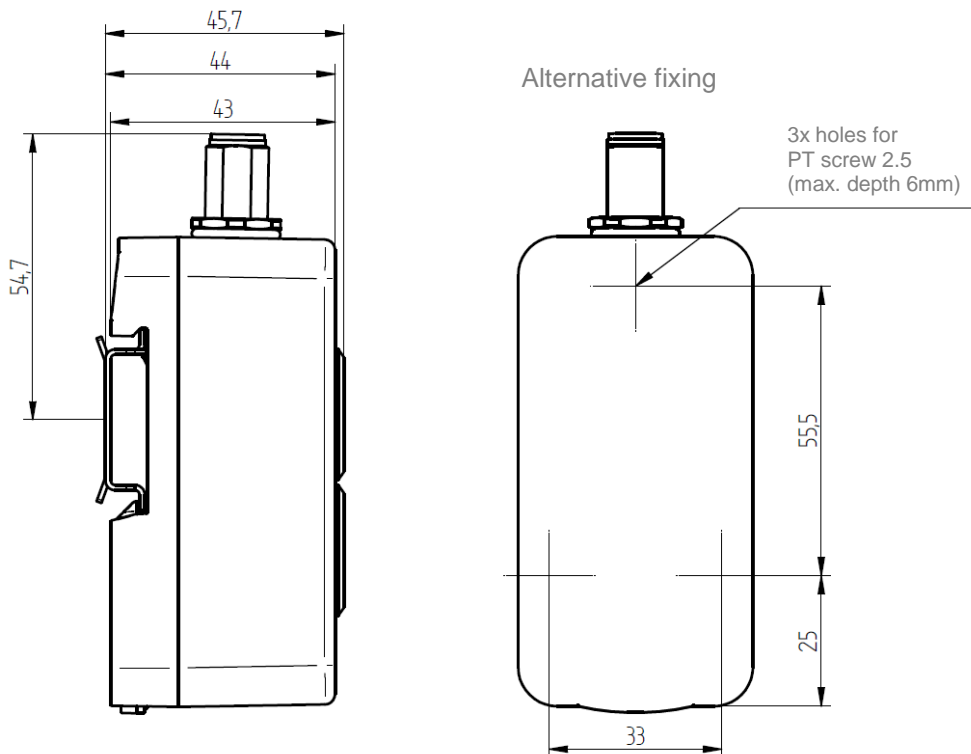
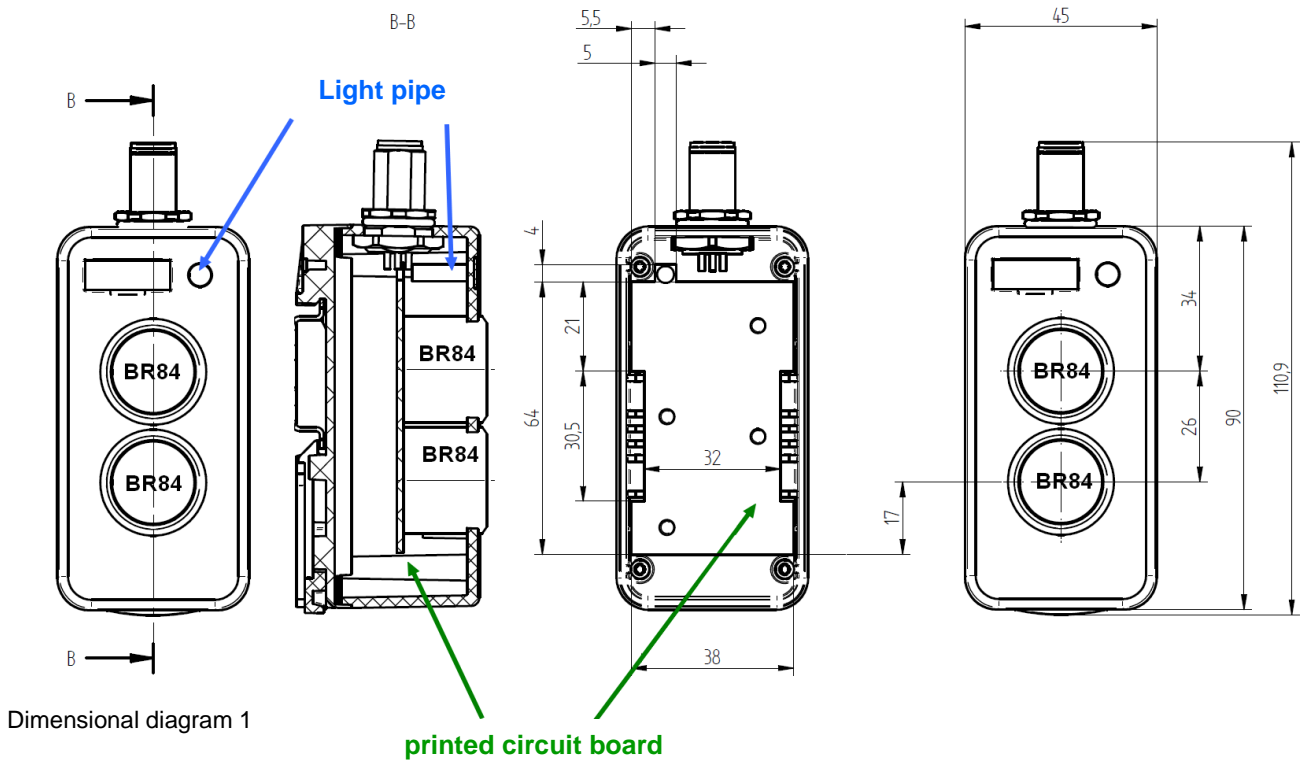
See dimensional diagram 2
(Female M12 connector not included)

Please note:

- The dimensional diagrams show the housing with the Series 84 components and M12 plug fitted (not included in shipment)
- All side walls exhibit a pull of around 1°.

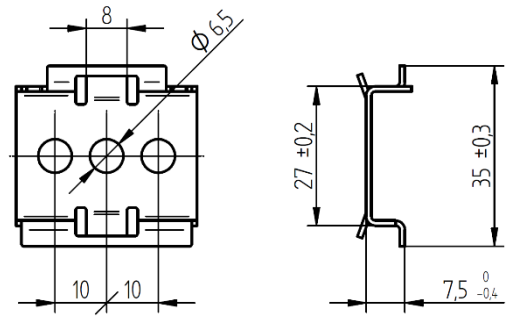
Certificates

CE



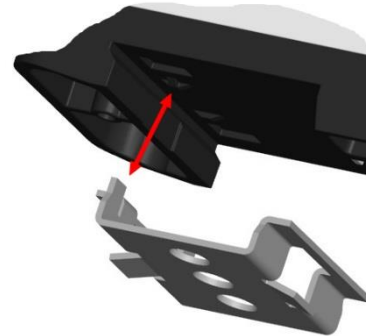
Mounting

- Mount mounting adapter onto mounting surface.
- Mount Smart Box on one side (note direction of mounting adapter on the housing)
- Push the Smart Box onto the adaptor on the other side until it audibly clicks into place
- Alternatively, the module can be mounted on a standard top hat rail, or it can be mounted on a base using screws on the rear (see dimensional diagrams).



Dismantling

- Pull out spring element using screwdriver and lift Smart Box
- Remove Smart Box from the other side



EAO reference number: **Part no. 74-00003.1**

EAO reserves the right to change specifications without further notice.