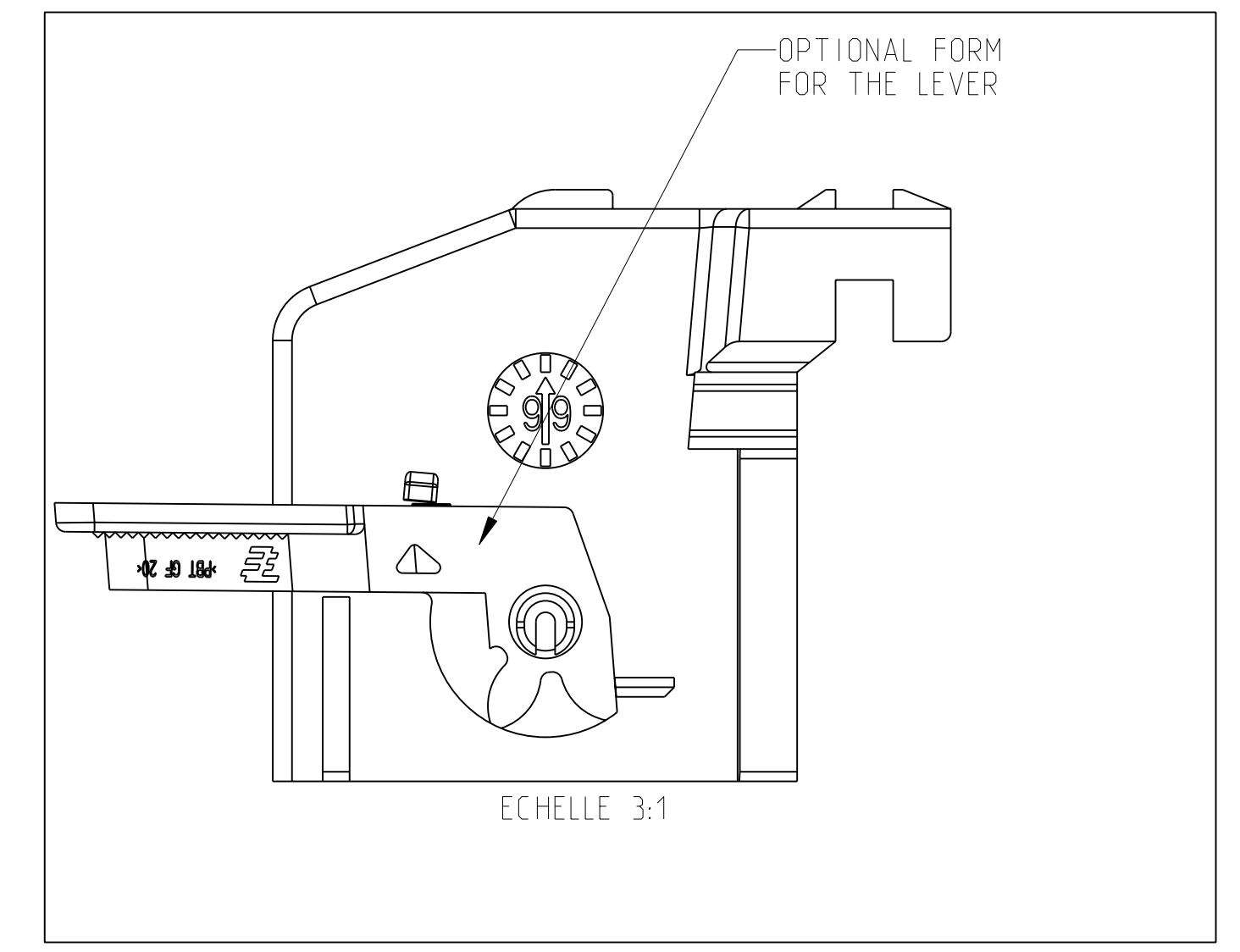
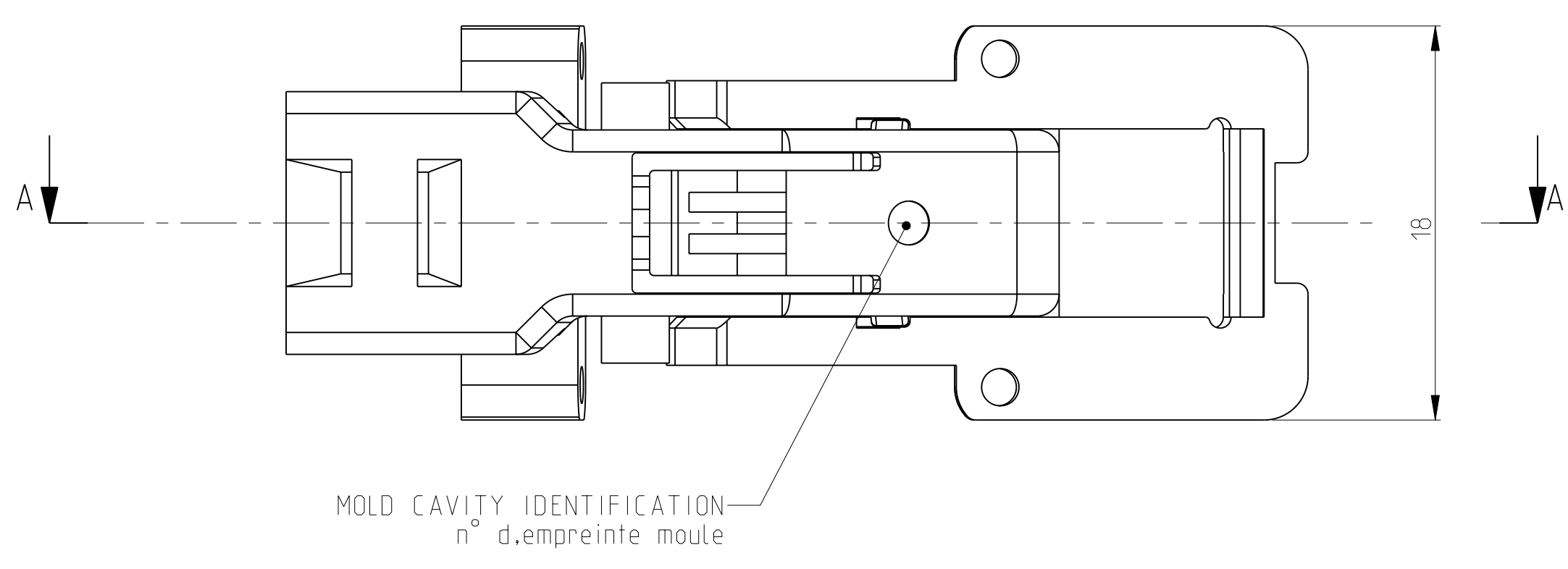
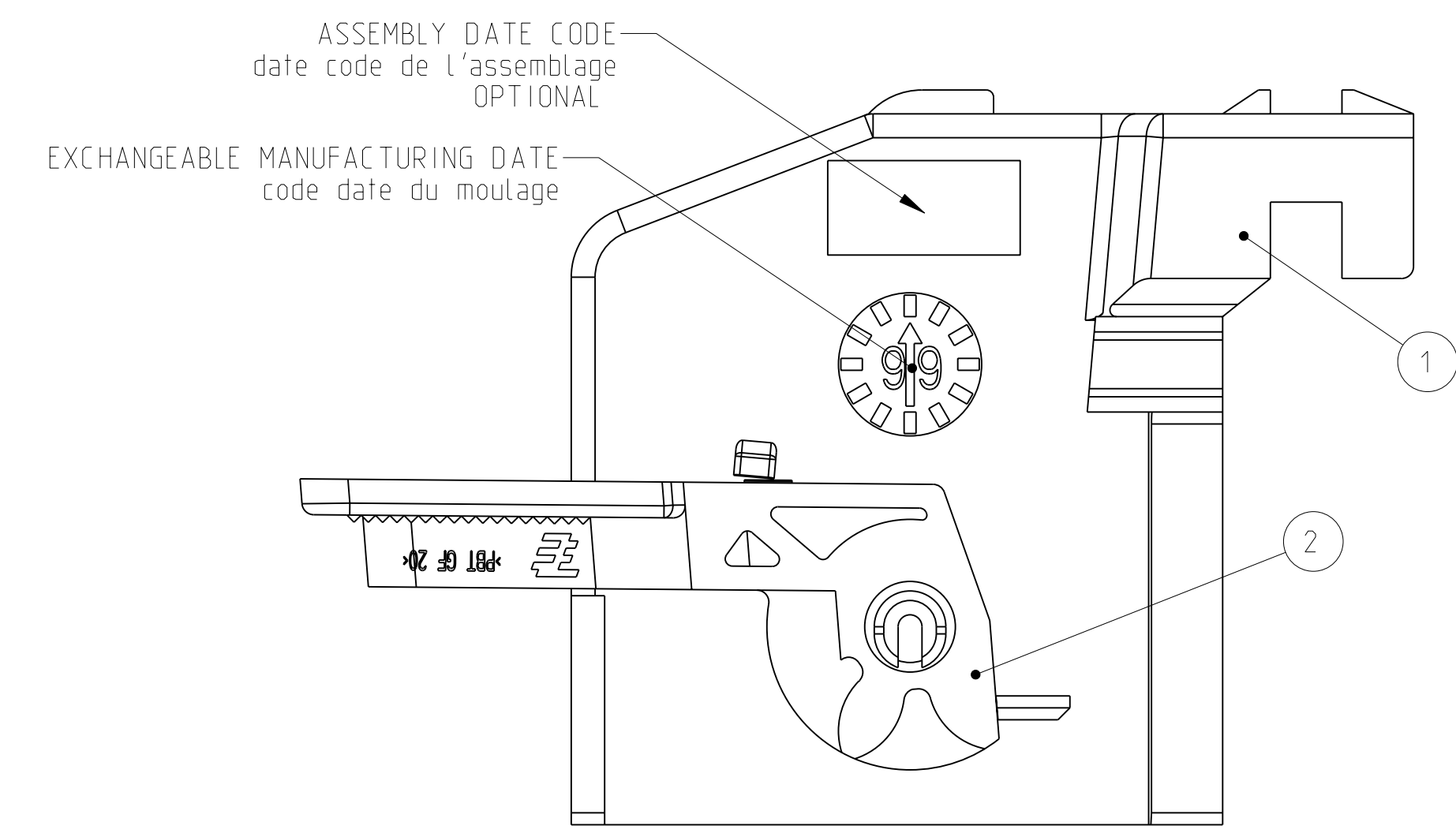
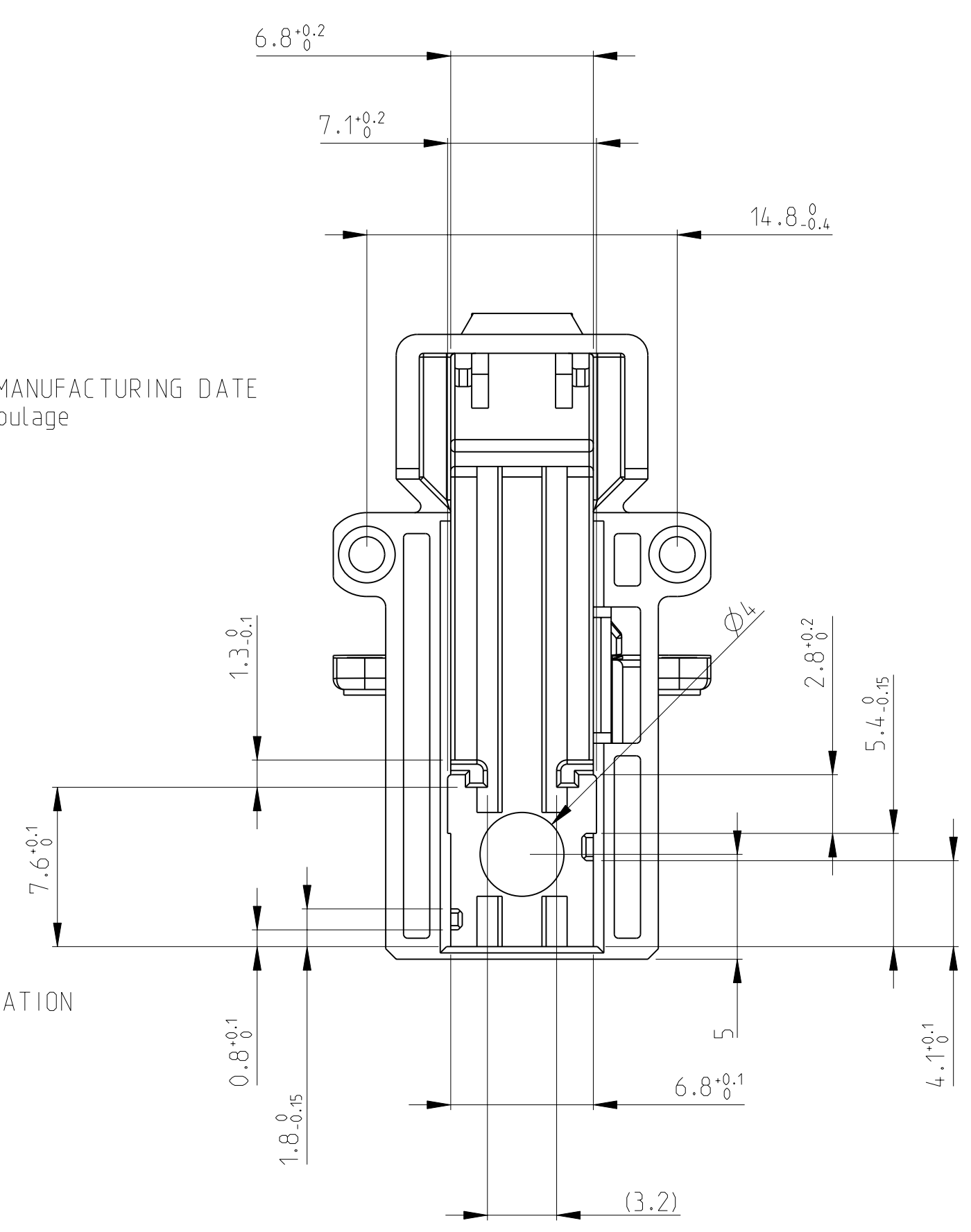
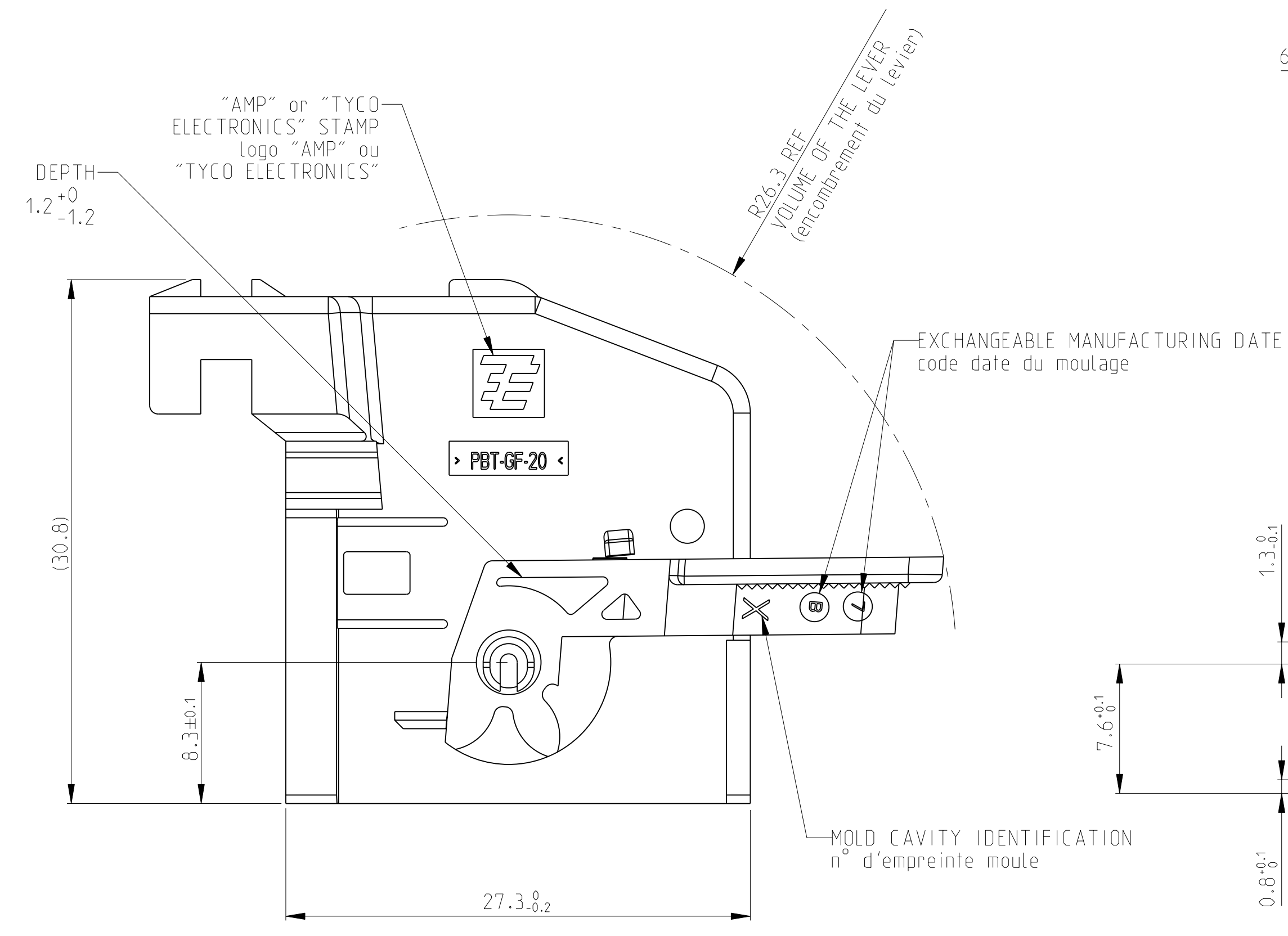
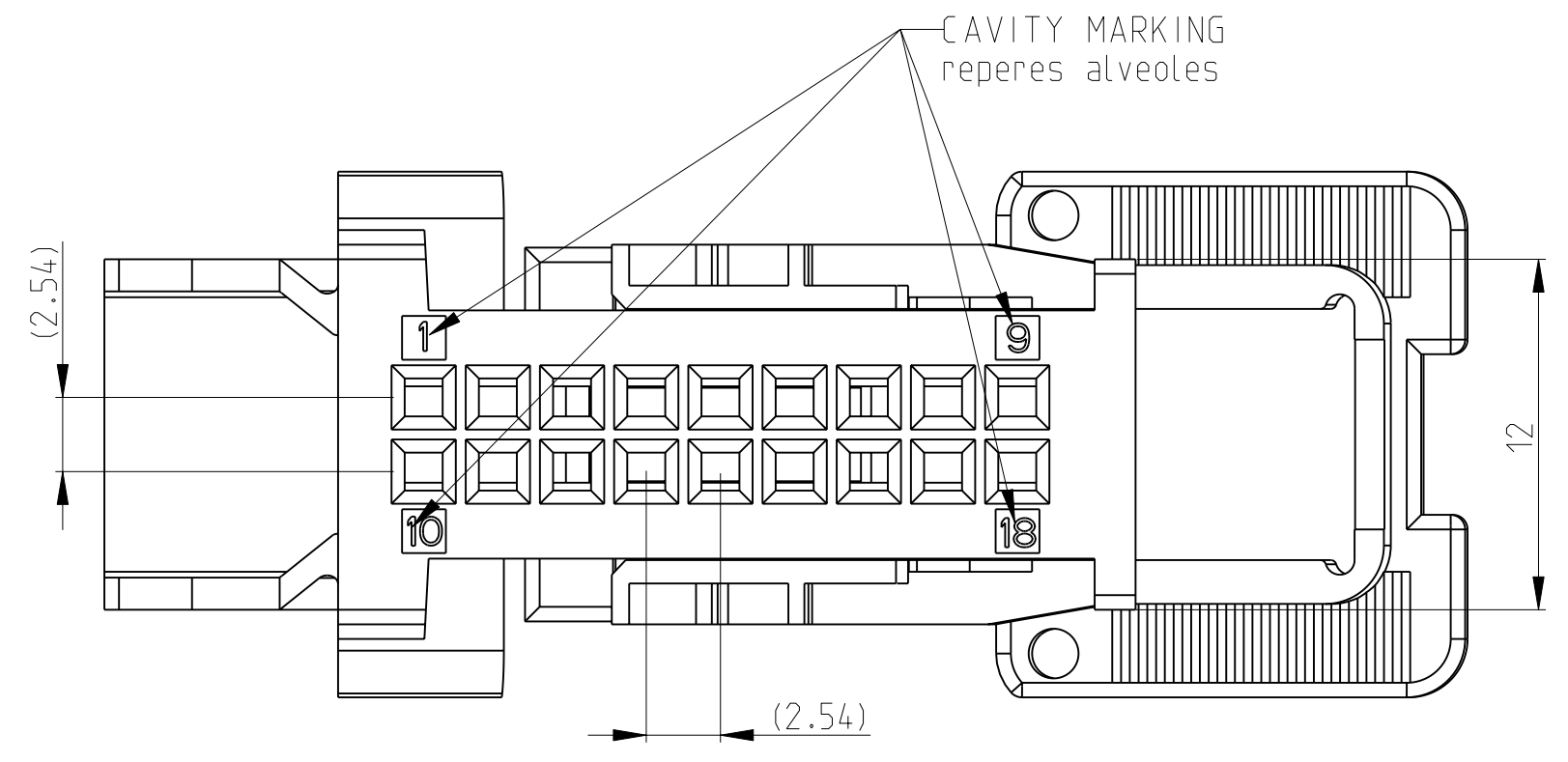


LOC	DIST	REV	DESCRIPTION	DATE	OWN	APP
F	00					
		F	NOTES CORRECTIONS	09DEC2010	VB	XR

**NOTES**

1. GENERAL MQS TERMINAL PN 928999-x/963715-x  
PIECE A UTILISER AVEC CLIP MQS REF: VOIR CI-DESSUS (F)
2. TE INTERFACE DRAWING: 1801400  
PLAN D'INTERFACE: VOIR CI-DESSUS (F)



DIMENSIONS: mm TOLERANCES UNLESS SPECIFIED: F: ±0.1 M: ±0.2 H: ±0.3 S: ±0.4 L: ±0.5		TOLERANCES UNLESS SPECIFIED: ANGLES: ±5° FINISH: -		DWN/DRESSURE: M. POLIFONTE 10MAY2000 CHA/REVIE: J.L. LANGE 10MAY2000 APVD/APPROUVE: J.L. LANGE 10MAY2000		Tyco Electronics Tyco Electronics France SAS 95300 Pontoise, France	
MATERIAL/MATIERE: SET TABLE		WEIGHT/MASSE APPROX.: 5g		NAME: SHIELD MQS 18 POS 90 DEG GENE II TYPE: PORTE-MODULE 18 VOIES MQS 90 DEG		SIZE/FORMAT: A1 CAGE CODE: 00779 DRAWING NO: C=1379101	
CUSTOMER DRAWING /PLAN CLIENT		DIVISION: FOUR REFERENCE		SCALE/ECHELLE: 1:1		SHEET/FEUILLE: 1 OF 2 REV: F	

LOC		DIST		REVISIONS			
F	00	P	LTB	DESCRIPTION	DATE	OWN	APVD
		REV		MODIFICATIONS		DESS.	APP.
		-		SEE SHEET 1			

LEVER levier	2	1	PBT GF 20%	1379101-5	BLACK noir	
SHIELD capot	1	1	PBT GF 20%		GREEN vert	
LEVER levier	2	1	PBT GF 20%	1379101-4	BLACK noir	
SHIELD capot	1	1	PBT GF 20%		BROWN marron	
LEVER levier	2	1	PBT GF 20%	1379101-3	BLACK noir	
SHIELD capot	1	1	PBT GF 20%		BLUE bleu	
LEVER levier	2	1	PBT GF 20%	1379101-2	BLACK noir	
SHIELD capot	1	1	PBT GF 20%		WHITE blanc	
LEVER levier	2	1	PBT GF 20%	1379101-1	BLACK noir	
SHIELD capot	1	1	PBT GF 20%		BLACK noir	
DESCRIPTION designation	ITEM rep.	QTY qte	MATERIAL matiere	TE PN ref TE	COLOR couleur	KEYING (LEVER NOT SHOWN) detrompage (levier non représenté)

<small>THIS DRAWING IS UNPUBLISHED. RELEASED FOR PUBLICATION BY TYCO ELECTRONICS CORPORATION. ALL RIGHTS RESERVED. THIS RIGHTS RESERVED.</small>		<small>THIS DRAWING IS UNPUBLISHED. RELEASED FOR PUBLICATION BY TYCO ELECTRONICS CORPORATION. ALL RIGHTS RESERVED. THIS RIGHTS RESERVED.</small>		<small>THIS DRAWING IS UNPUBLISHED. RELEASED FOR PUBLICATION BY TYCO ELECTRONICS CORPORATION. ALL RIGHTS RESERVED. THIS RIGHTS RESERVED.</small>	
DIMENSIONS: mm		TOLERANCES UNLESS OTHERWISE SPECIFIED:		DWN/DESINE: M.POLIFONTE 10MAY2000 CHK/VERIFIE: J.LALANGE 10MAY2000	
MATERIAL/MATIERE: SET TABLE		FINISH/FINITION: #5		APVD/APPROUVE: J.J. REVILL 10MAY2000 PRODUCT SPEC: 100-95262-1 SPEC. PRODUCT: 100-95262-1 APPLICATION SPEC: APPLICATION SPEC. APPLICATION	
WEIGHT/MASSE APPROX.: 5g		FINISH/FINITION: #5		NAME: SHIELD MQS 18 POS 90 DEG GENE II PORTÉ-MODULE 18 VOIES MQS 90 DEG	
CUSTOMER DRAWING /PLAN CLIENT		SIZE/FORMAT: A1		DRAWING NO: 00779 ©=1379101 No PLAN	
SCALE: 3:1		SHEET: 2 OF 2		RESTRICTED TO RESERVE A	