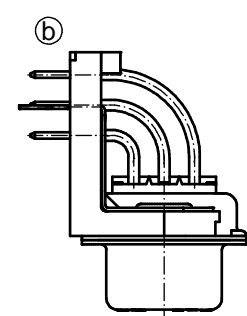
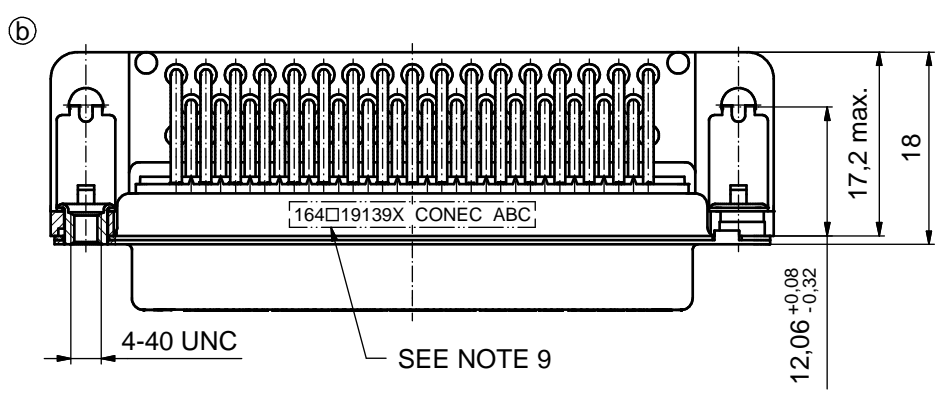
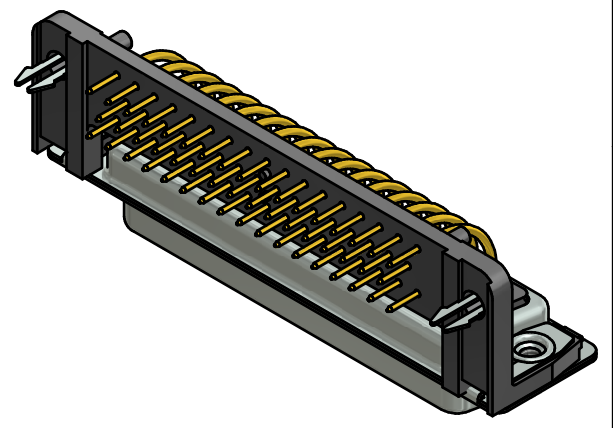
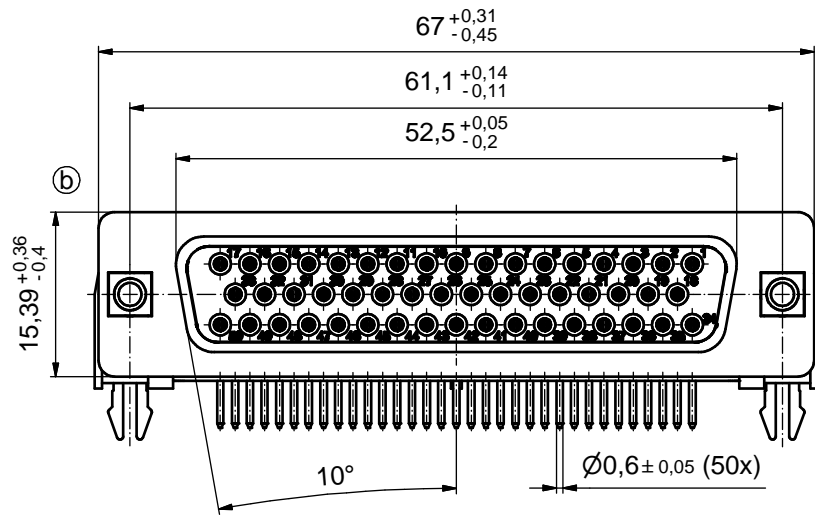
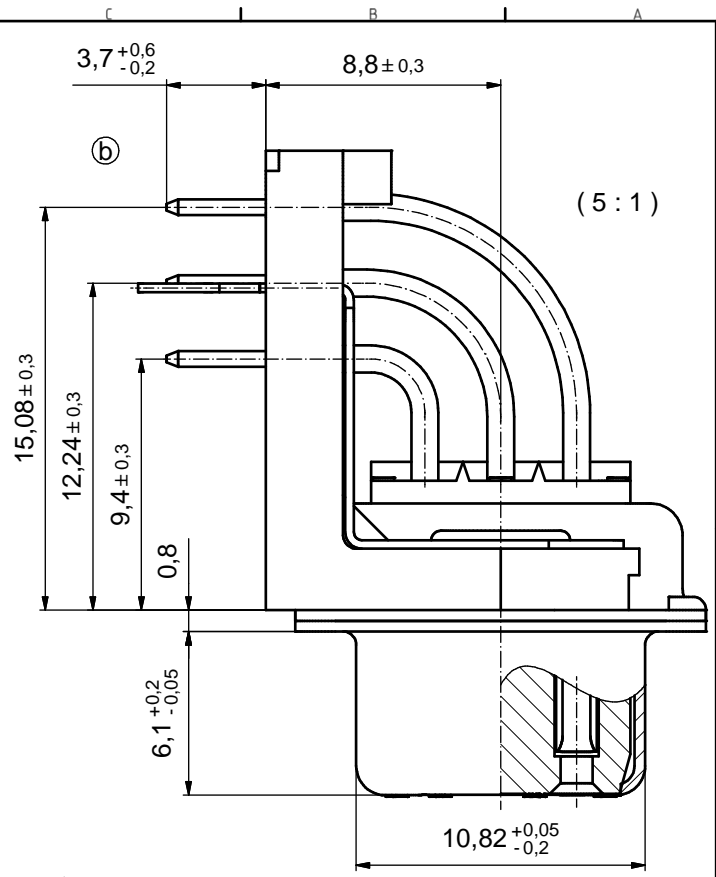


ⓑ

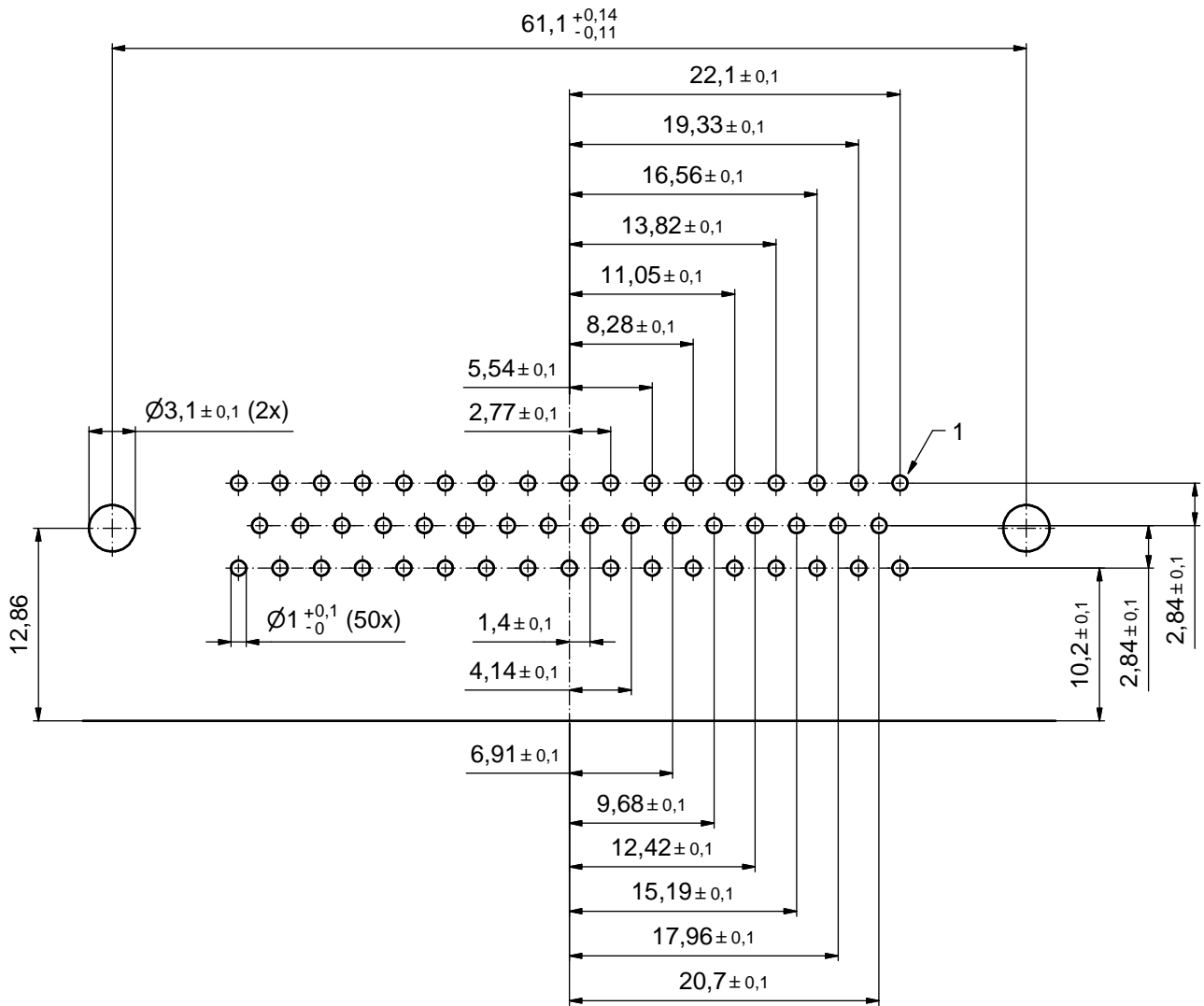
NOTES:

1. METALSHELLS: STEEL; min. 315µin TIN over 40-80µin NICKEL
2. INSULATORS: PBT GF UL 94 V-0; BLACK
3. CONTACTS: COPPER ALLOY; PLATING (SEE PART NO.):
  - PLEASE ADD A for GOLD FLASH over NICKEL (PREFERRED TYPE)
  - PLEASE ADD B for 20µin HARD GOLD over min. 50µin NICKEL
  - PLEASE ADD C for 30µin HARD GOLD over min. 50µin NICKEL
4. MOUNTING BRACKET: PBT GF UL 94 V-0; BLACK
5. THREADED INSERTS: COPPER ALLOY; min. 200µin TIN over 80µin NICKEL
6. GROUNDING-CLIPS: COPPER ALLOY; min. 200µin TIN over 80µin NICKEL  
PCB-HOLE:  $\phi 3:1\pm 0:1$ ; PCB THICKNESS 1.6mm
7. P.C.B. HOLE DRILLINGS ON SHEET 2
8. MAXIMUM TORQUE VALUE FOR THREAD: 6 in.LB
9. CONNECTOR IS PART MARKED: 164□19139X CONEC ABC (see note 3)



Directive 2002/95/EC RoHS compliant

THIS DRAWING MAY NOT BE COPIED OR REPRODUCED IN ANY WAY, AND MAY NOT BE PASSED ON TO A THIRD PARTY WITHOUT WRITTEN PERMISSION. OWNERSHIP AND COPYRIGHT OF CONEC GmbH  DO NOT ALTER CAD DRAWING BY HAND	tolerance		dim. in mm		scale:	2:1 (5:1)	
					material:	SEE NOTES	
	date	name		title:			
	drawn	27.06.05	Lehmenkühler		D-SUB FEMALE 90°		
	appd.	27.06.05	Kühle		50pos. SOLDER PIN ANGLED 0.370inch threaded insert, mounting bracket, grounding clip		
norm	DIN 41652		dwg no:				
d-old					DIN-A3		
6 x b	A4892	20.08.2013	Lehm.				
a	Original						
rev.	description	date	name	part no: ⓑ 164□19139X (see note 3)		sh: 1	



**(b)**  
**P.C.B. HOLE DRILLINGS**  
 (P.C.B. TOP SIDE)

THIS DRAWING MAY NOT BE COPIED OR REPRODUCED IN ANY WAY, AND MAY NOT BE PASSED ON TO A THIRD PARTY WITHOUT WRITTEN PERMISSION. OWNERSHIP AND COPYRIGHT OF CONEC GmbH  DO NOT ALTER CAD DRAWING BY HAND				tolerance		scale: 3:1
				dim. in mm		material: SEE SHEET 1
				date	name	title:
				drawn 27.06.05	Lehmenkühler	<b>P.C.B. HOLE DRILLINGS</b>
				appd. 27.06.05	Kühle	D-SUB FEMALE 90° 50pos. ANGLED 0.370inch threaded insert, mounting bracket, grounding clip
			norm		dwg no:	
			d-old		16K1A1436	
1 x b	Ä4892	20.08.2013	Lehm.	<b>CONEC</b> ®		DIN-A3
a	Original					sh: 2
rev.	description	date	name	part no: SEE SHEET 1		