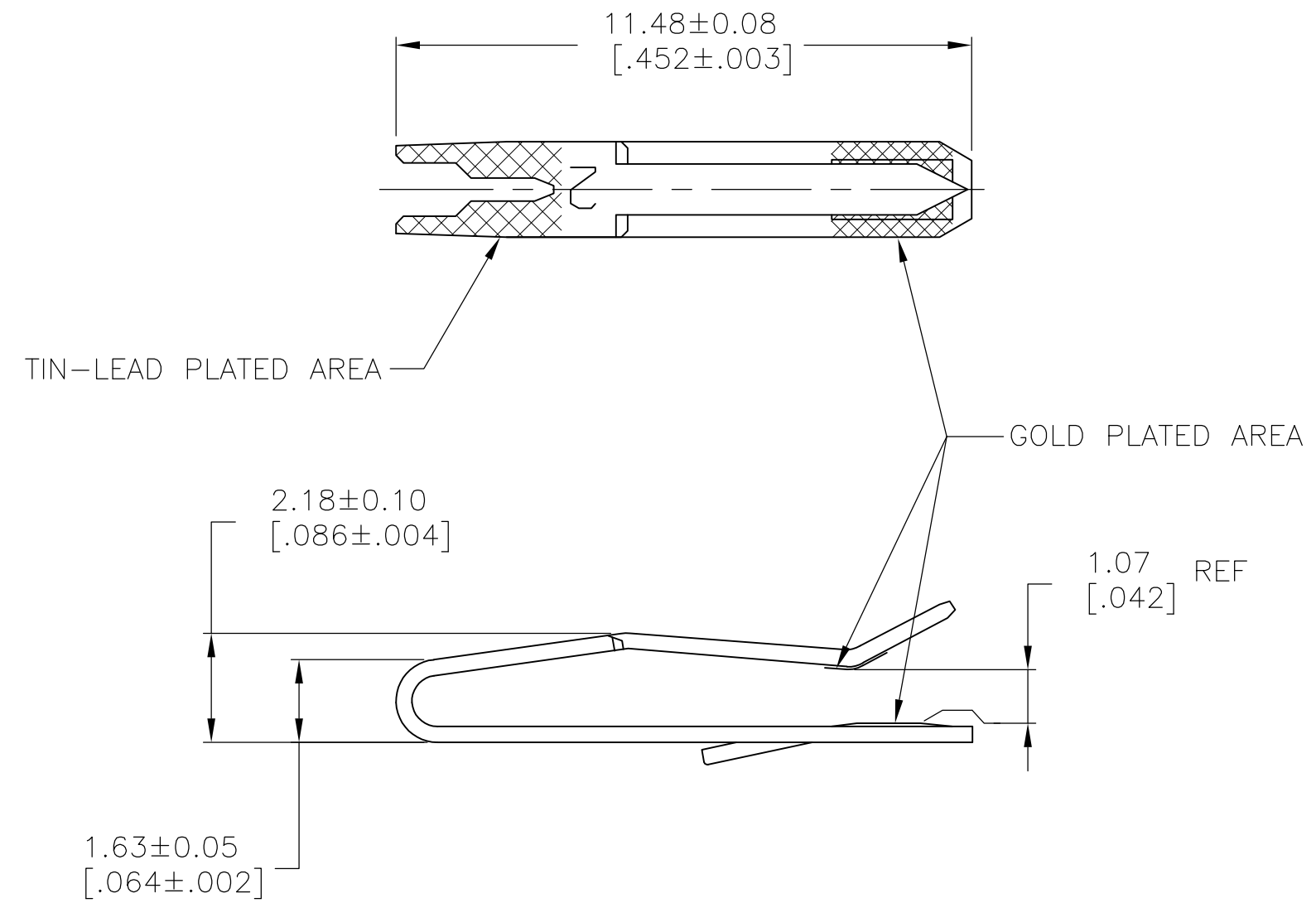


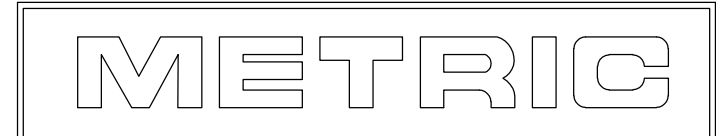
THIS DRAWING IS UNPUBLISHED. RELEASED FOR PUBLICATION
 © COPYRIGHT - BY TYCO ELECTRONICS CORPORATION. ALL RIGHTS RESERVED.

LOC	DIST	REVISIONS					
		P	LTR	DESCRIPTION	DATE	DWN	APVD
CM	00		H	REVISED PER ECO-07-007260	09APR07	KW	DB
			H1	REVISED PER ECO-09-024717	05NOV09	KK	AEG



1. DIMENSIONS IN BRACKETS ARE IN INCHES.
2. 0.00038 [.000015] MIN THICK GOLD IN THE GOLD PLATE AREA OVER 0.00127 [.000050] MIN THICK NICKEL.
3. 0.00076 [.000030] MIN THICK GOLD IN THE GOLD PLATE AREA OVER 0.00127 [.000050] MIN THICK NICKEL.
4. 0.00203 [.000080] MIN THICK TIN-LEAD IN THE TIN-LEAD PLATE AREA OVER 0.00127 [.000050] MIN THICK NICKEL.
5. MATTE TIN 0.00203(.000080) MIN THICK IN TIN PLATED AREA
6. OBSOLETE PARTS: OBSOLETE CIS STREAMLINING PER D.RENAUD/D.SINISI

6	SUPERCEDED	3 5	641186-4
		2 5	641186-3
		3 4	641186-2
		2 4	641186-1
		FINISH	PART NO



THIS DRAWING IS A CONTROLLED DOCUMENT.		DWN BSV 25OCT2005	Tyco Electronics Corporation Harrisburg, PA 17105-3608	
DIMENSIONS: mm [INCHES]	TOLERANCES UNLESS OTHERWISE SPECIFIED:	CHK D. BOSSI 25OCT2005	NAME CONTACT, LOOSE PIECE, .000030 GOLD STRIP, 22 AWG WIRE, MTA-100	
	0 PLC ± -	APVD D. BOSSI 25OCT2005	PRODUCT SPEC -	
	1 PLC ± -		APPLICATION SPEC -	
MATERIAL	FINISH	WEIGHT -	SIZE A3	CAGE CODE 00779
0.30 [.012] THK COPPER ALLOY	SEE TABLE		DRAWING NO C-641186	RESTRICTED TO -
CUSTOMER DRAWING			SCALE 8:1	SHEET 1 OF 1
			REV H1	