

MATERIALS AND FINISHES

BODY ZINC ALLOY
PLATED NICKEL

CENTER CONTACT PHOSPHOR BRONZE
PLATED GOLD

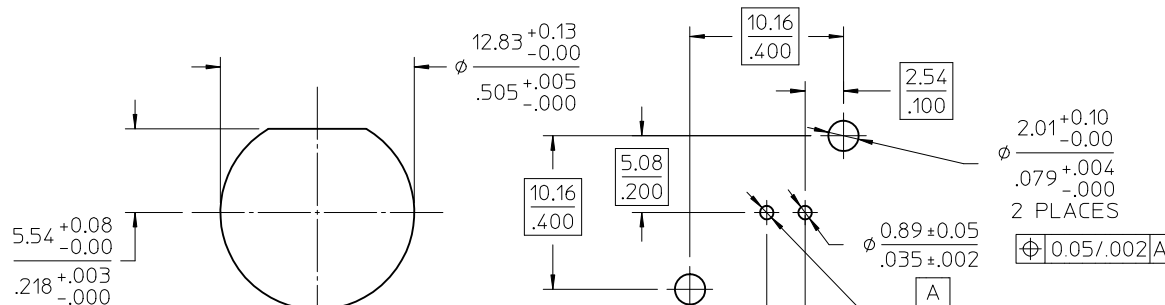
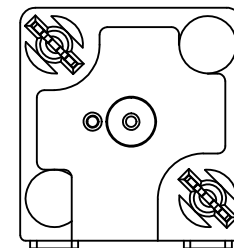
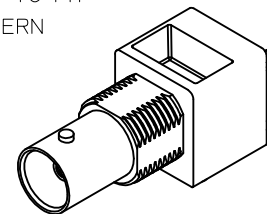
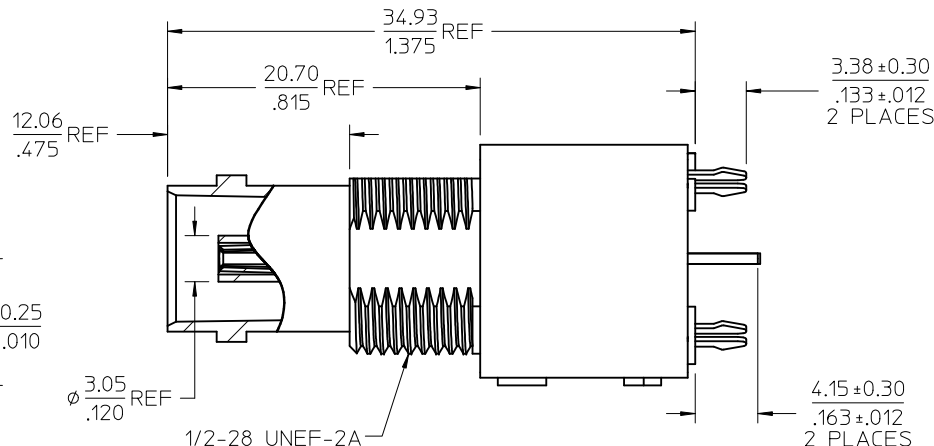
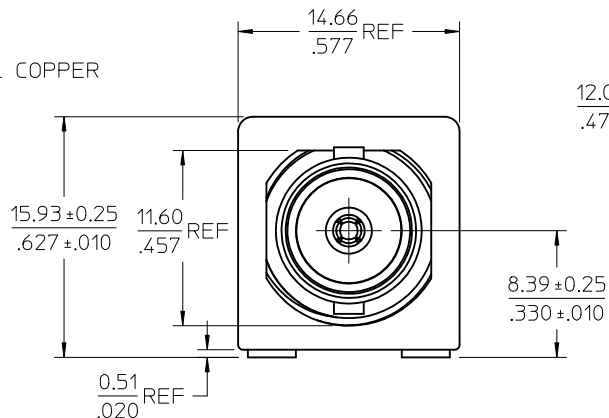
INSULATOR POLYPROYLENE (94V0)

BOARD LOCK PHOSPHOR BRONZE
PLATED TIN

SOLDER TAIL COPPER
PLATED TIN

BNC JACK
75 OHMS
INTERFACE

LEADS ARE TO BE
ADJUSTED TO FIT
PCB PATTERN



PART # 73101-0030

RECOMMENDED MOUNTING HOLE
MAXIMUM PANEL THICKNESS: 5.40(.203)
RECOMMENDED MOUNTING TORQUE:
1.36 N-m(12 INCH-LBS)

RECOMMENDED PCB HOLE
CONFIGURATION

PS-73598-0051	PRODUCT SPECIFICATION
SPECIFICATION	DESCRIPTION

CHG: CORRECT TYPO OF SOLDER TAIL PER Rf11-E022 EC NO: 2010/09/23 DRW: DRWINRYEH CHKD: 2010/09/30 APPR: MHUANG REV: C2	QUALITY SYMBOLS ▽=0 ▽=0	GENERAL TOLERANCES (UNLESS SPECIFIED) <table border="1"> <tr> <th></th> <th>mm</th> <th>INCH</th> </tr> <tr> <td>4 PLACES</td> <td>± .005</td> <td>± .0005</td> </tr> <tr> <td>3 PLACES</td> <td>± .005</td> <td>± .0005</td> </tr> <tr> <td>2 PLACES</td> <td>± .005</td> <td>± .0005</td> </tr> <tr> <td>1 PLACE</td> <td>± .005</td> <td>± .0005</td> </tr> </table> ANGULAR ± 2° DRAFT WHERE APPLICABLE MUST REMAIN WITHIN DIMENSIONS		mm	INCH	4 PLACES	± .005	± .0005	3 PLACES	± .005	± .0005	2 PLACES	± .005	± .0005	1 PLACE	± .005	± .0005	DIMENSION STYLE MM/IN DRAWN BY: WILSON DATE: 1996/03/01 CHECKED BY: _____ DATE: _____ APPROVED BY: MHUANG DATE: 2010/09/30	SCALE: METRIC DESIGN UNITS: METRIC THIRD ANGLE PROJECTION	TITLE: BNC JACK, VERTICAL PCB, DIE CAST, 75 OHMS BNC-J/PCB MOLEX INCORPORATED DOCUMENT NO. SD-73101-003 SHEET NO. 1 OF 1
				mm	INCH															
4 PLACES	± .005	± .0005																		
3 PLACES	± .005	± .0005																		
2 PLACES	± .005	± .0005																		
1 PLACE	± .005	± .0005																		
THIS DRAWING CONTAINS INFORMATION THAT IS PROPRIETARY TO MOLEX INCORPORATED AND SHOULD NOT BE USED WITHOUT WRITTEN PERMISSION																				