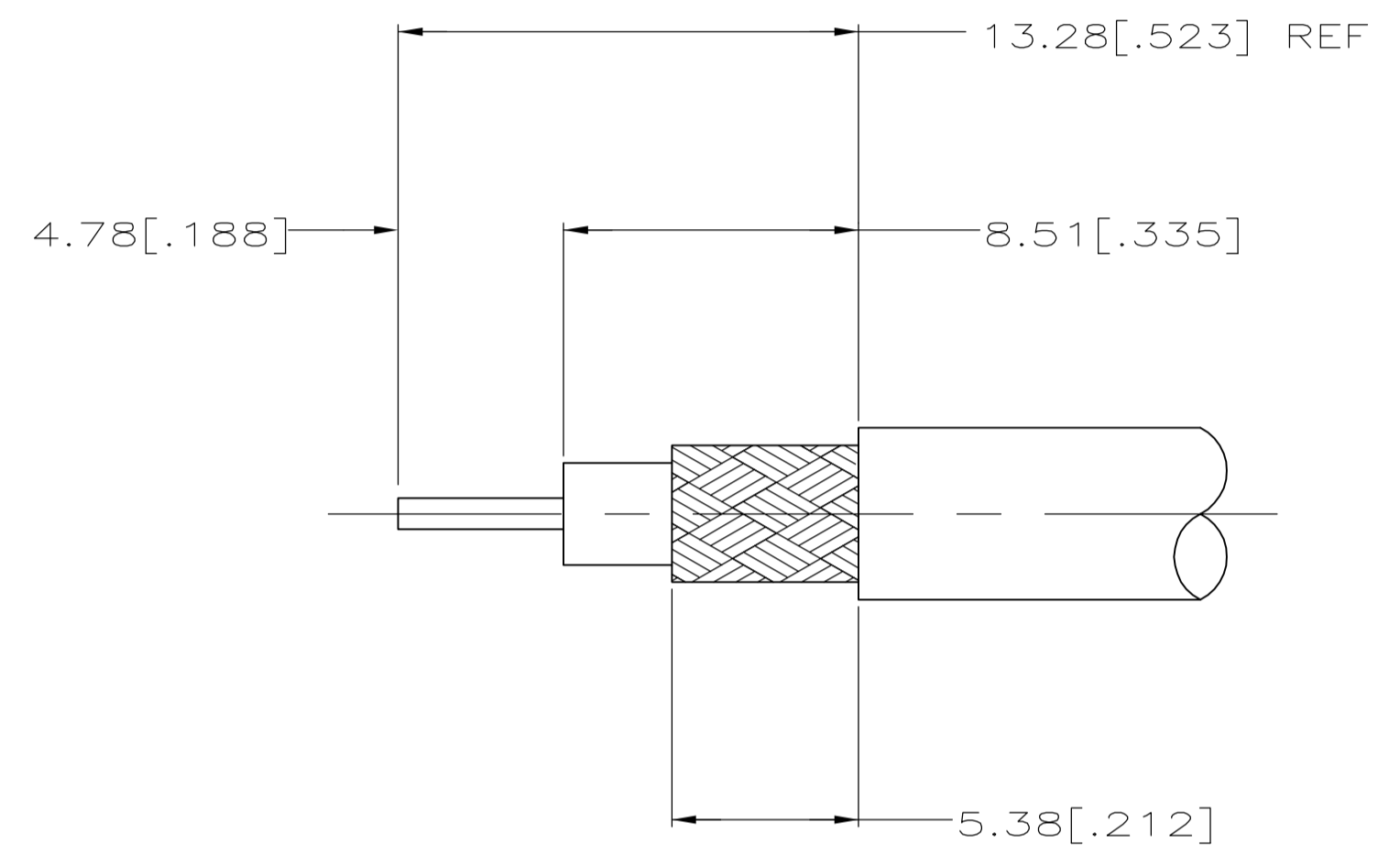
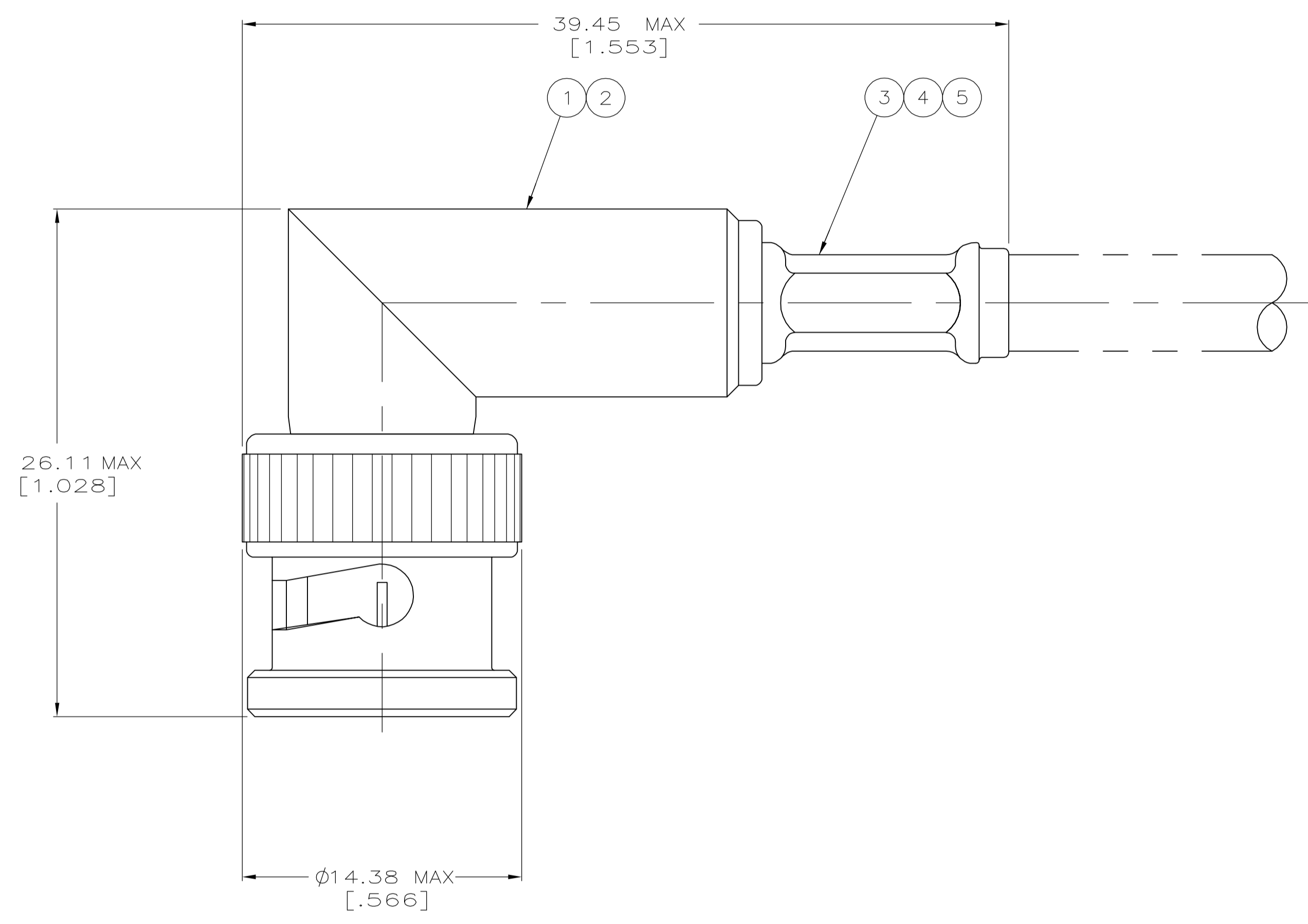


1. USE WITH HAND TOOL 354940-1.  
 2. SEE INSTRUCTION SHEET 408-9778.



RECOMMENDED STRIP LENGTH

BELDEN YR15492	1.73 [.068]	5.41 [.213]	58436-1	-	8-221132-9	413774-5	413960-1	5413959-8
RG-141/U, BELDEN 9907 & 89907	1.73 [.068]	5.41 [.213]	58436-1	-	9-221132-0	2-413774-5	413960-1	5413959-6
RG-180/U & 195/U	1.73 [.068]	4.52 [.178]	58436-3	-	9-413658-1	2-413774-0	413960-3	5413959-5
RG-179/U & 187/U	1.73 [.068]	4.52 [.178]	58436-3	227194-1	9-413658-0	2-413774-0	413960-3	5413959-4
RG-174/U, 188/U & 316/U	1.73 [.068]	4.52 [.178]	58436-3	227194-1	9-413658-0	1-413774-5	413960-3	5413959-3
RG-58/U & BELDEN 88240	1.73 [.068]	5.41 [.213]	58436-1	-	9-221132-0	413774-5	413960-1	5413959-1
FOR USE WITH CABLE	CONTACT CRIMP (HEX)	FERRULE CRIMP (HEX)	DIE SET 1	4 TUBING, PLASTIC QTY=1	3 FERRULE QTY=1	2 CONTACT QTY=1	1 PLUG ASSY QTY=1	PART NUMBER

THIS DRAWING IS A CONTROLLED DOCUMENT.

DIMENSIONS: mm [INCHES]	TOLERANCES UNLESS OTHERWISE SPECIFIED:	DWG: A. FERNANDEZ-DOCK5	DATE: 22APR2005		Tyco Electronics Corporation Harrisburg, PA 17105-3608
0 PLC ± -	1 PLC ± -	CHK: J. HAVENER	DATE: 22APR2005		
2 PLC ± -	3 PLC ± 41[016]	APPV: J. LIPPERT	DATE: 22APR2005	NAME: J. LIPPERT	PRODUCT SPEC: -
4 PLC ± -	ANGLES ± -	APPLICATION SPEC: -	SIZE: A1	CAGE CODE: 00779	DRAWING NO: 5413959
MATERIAL: -	FINISH: -	WEIGHT: -	CUSTOMER DRAWING	SCALE: 5:1	SHEET: 1 OF 1