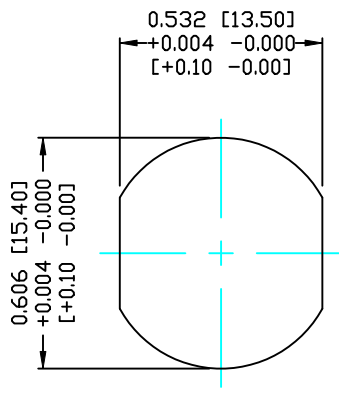
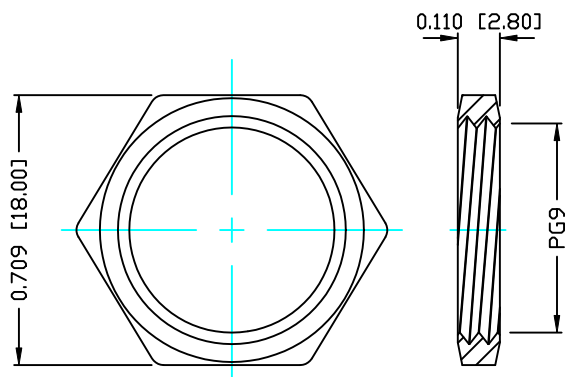


DESCRIPTION: M12 FEMALE - PANEL MOUNT (REAR) - 5 POS.



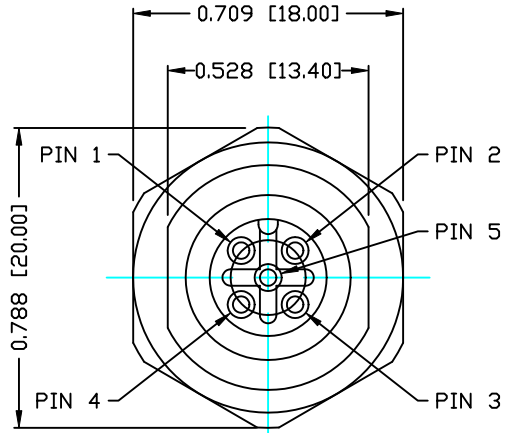
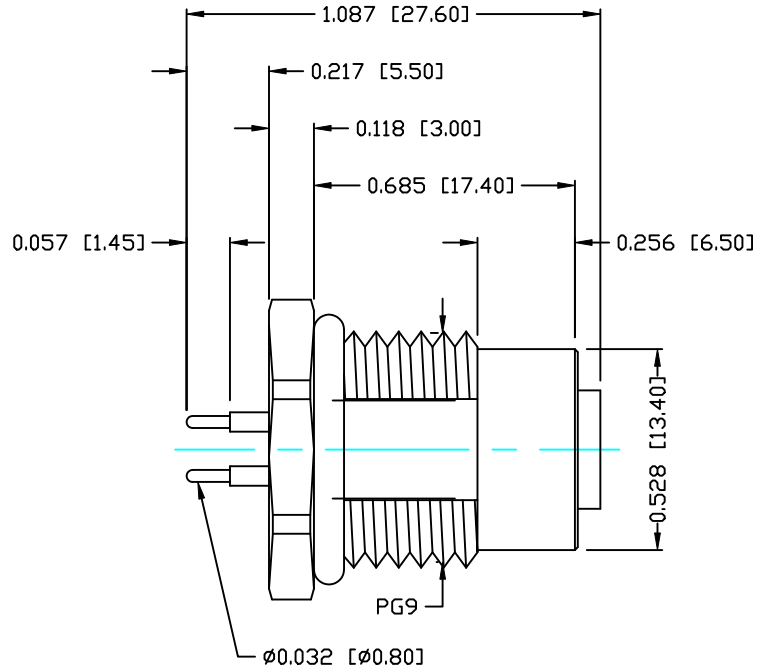
PANEL CUTOUT



NUT

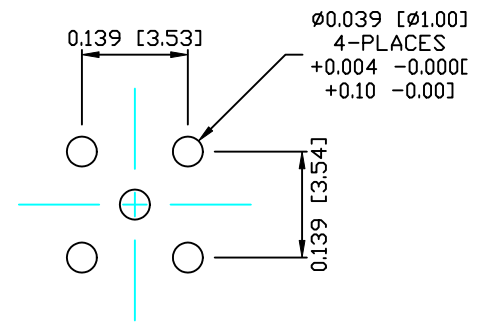
NOTE:

|                        |                                 |
|------------------------|---------------------------------|
| MATERIAL               |                                 |
| HOUSING:               | PBT UL94V-0, BLACK              |
| CONTACT:               | BRASS                           |
| NUT:                   | BRASS                           |
| SHELL:                 | BRASS                           |
| O-RING:                | EPDM, BLACK                     |
| FINISH                 |                                 |
| CONTACT:               | GOLD PLATED<br>OVER 50µ" NICKEL |
| NUT:                   | NICKEL PLATED                   |
| SHELL:                 | NICKEL PLATED                   |
| ELECTRICAL             |                                 |
| RATED CURRENT:         | 5A                              |
| RATED VOLTAGE:         | 125V                            |
| INSULATION RESISTANCE: | 100 MOhms MIN.                  |
| CONTACT RESISTANCE:    | 10 MOhms MAX.                   |
| WATER PROOF:           | IP67                            |
| ENVIRONMENT            |                                 |
| OPERATION TEMPERATURE: | -40°C TO +85°C                  |



860-005-213R00Y

1 = GOLD FLASH  
4 = 10µ" GOLD



PLC LAYOUT

RoHS COMPLIANT

DO NOT SCALE FROM DRAWING



THESE DRAWINGS AND SPECIFICATIONS ARE THE PROPERTY OF NorComp AND SHALL NOT BE REPRODUCED, COPIED OR USED AS THE BASIS FOR THE MANUFACTURE OR SALE OF APPARATUS WITHOUT WRITTEN PERMISSION.

|          |           |       |          |
|----------|-----------|-------|----------|
| DRAWN:   | M. SIGMON | DATE: | 03-07-16 |
| CHECKED: |           | DATE: |          |

NorComp

|         |                 |       |   |    |   |     |   |
|---------|-----------------|-------|---|----|---|-----|---|
| SCALE:  | N.T.S.          | SHEET | 1 | OF | 1 | REV | 1 |
| DWG NO. | 860-005-213R00Y |       |   |    |   |     |   |