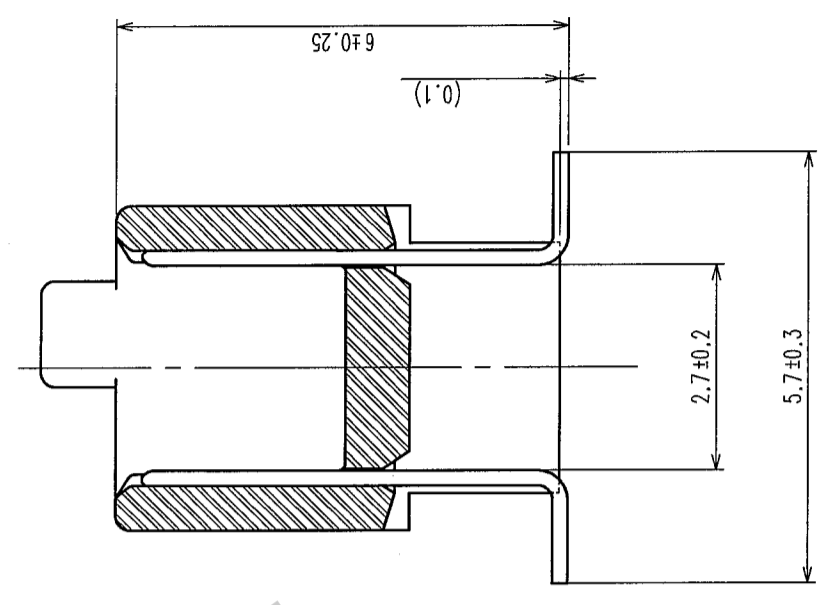
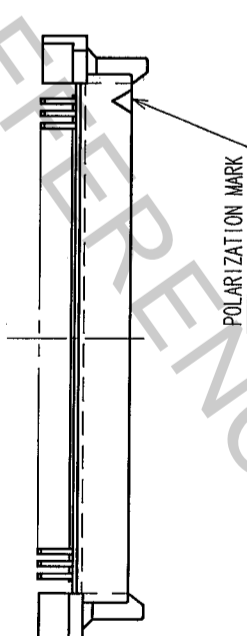
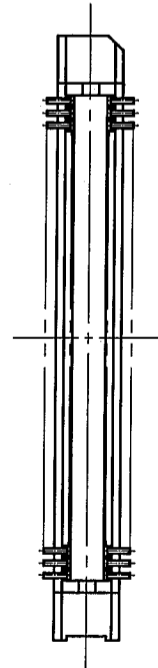
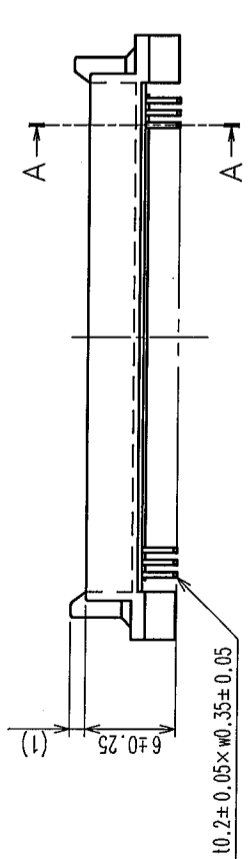
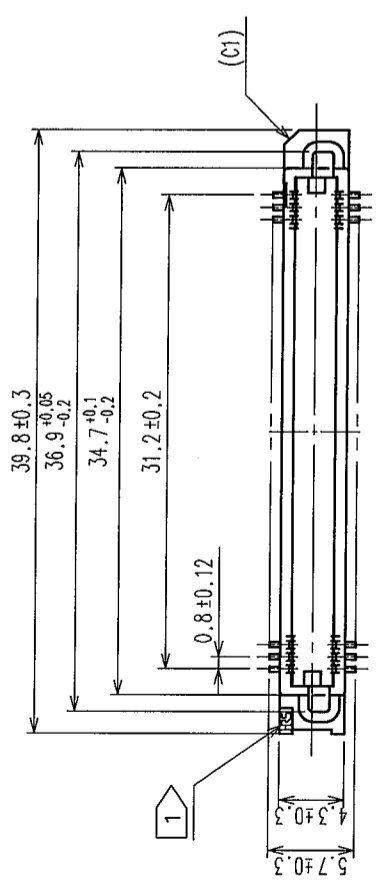
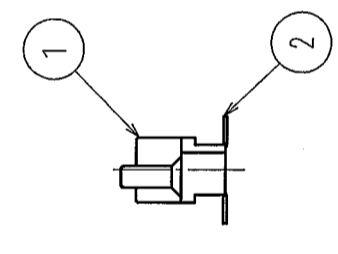


COUNT	DESCRIPTION OF REVISIONS	BY	CHKD	DATE	COUNT	DESCRIPTION OF REVISIONS	BY	CHKD	DATE
△					△				
△					△				
△					△				

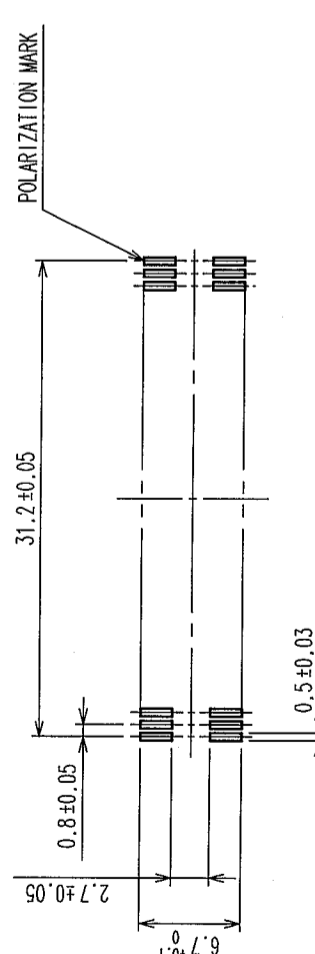
A-A (10:1)



- NOTE
- 1 HRS MARK SHALL BE OPTIONAL.
  - 2 LEAD CO-PLANARITY SHALL BE 0.1mm MAX.
  - 3 THE DIMENSIONS IN PARENTHESES ARE FOR REFERENCE.
  - 4 EMBOSSED CARRIER TAPE PACKAGING SHALL BE APPLIED FOR THIS PRODUCT.
  - 5 FOR MODIFICATION, ETC., PREVENTIVE HOLE FOR SINK MARK MAY BE ADDED ACCORDING TO CIRCUMSTANCES.



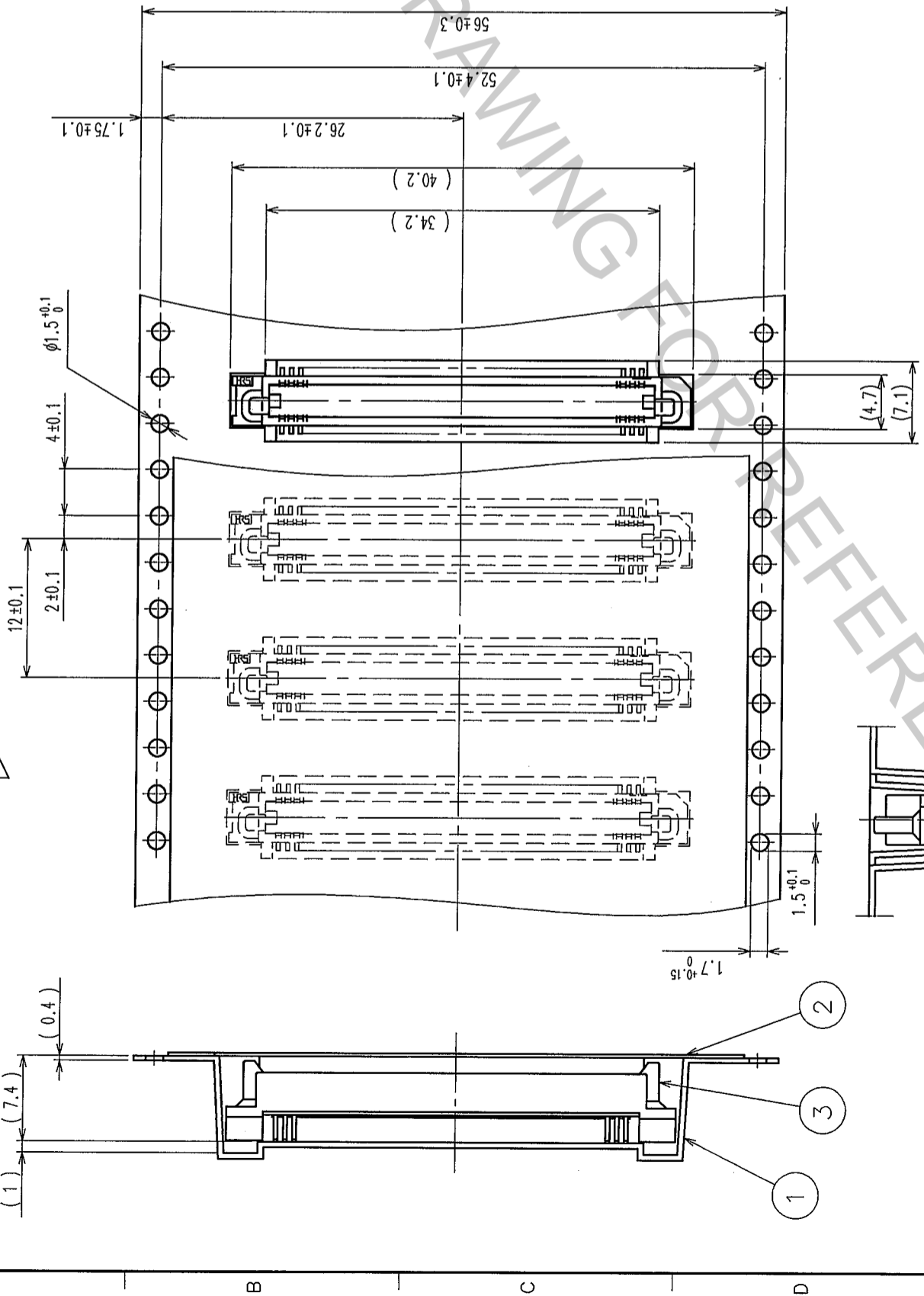
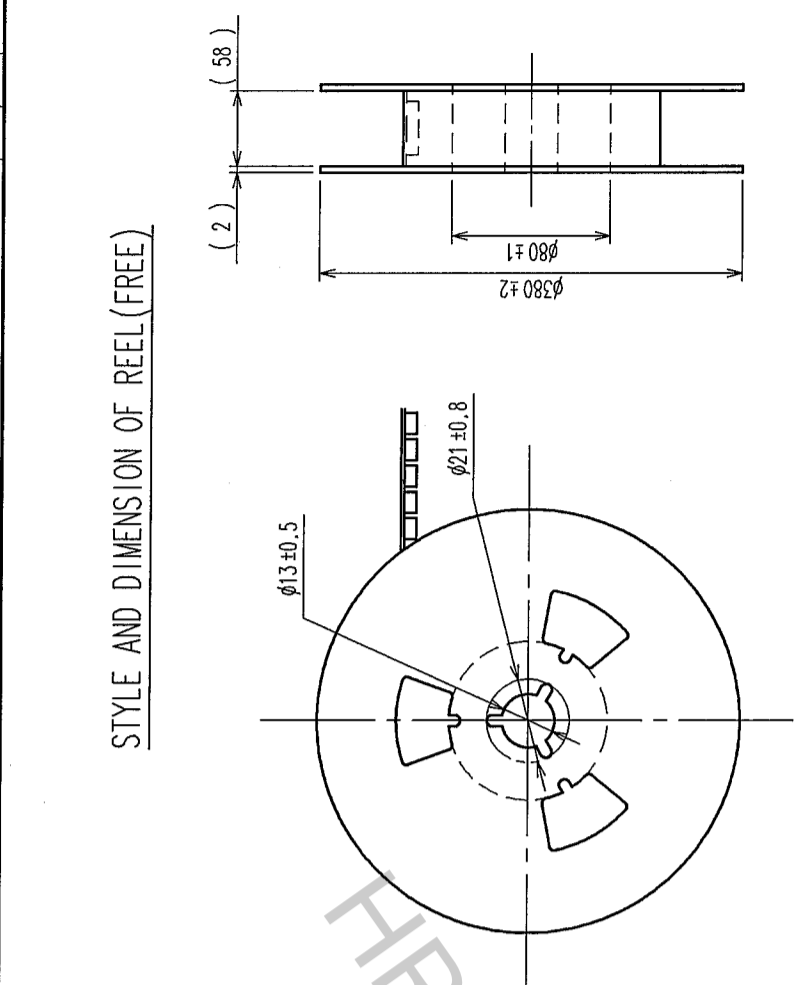
RECOMMENDED P.C.B. LAND PATTERN (MOUNT SIDE)



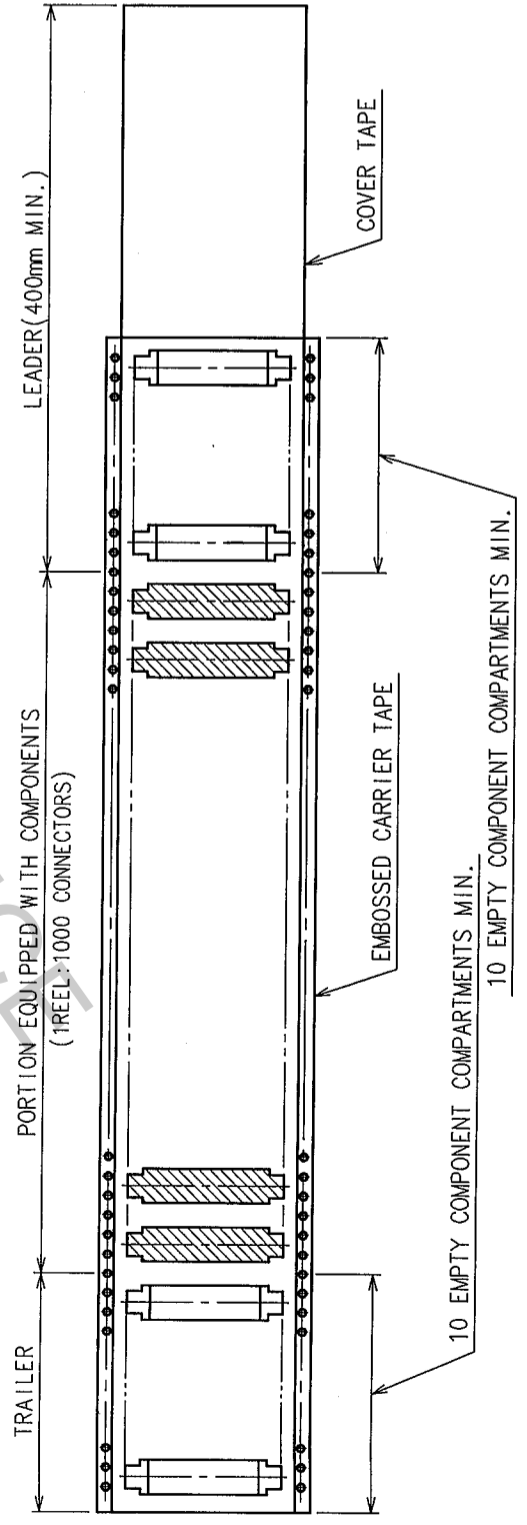
1	POLYPHENYLENE SULFIDE	LIGHT BROWN UL94V-0	2	PHOSPHOR BRONZE	
NO.	MATERIAL	FINISH, REMARKS	NO.	MATERIAL	FINISH, REMARKS
CL					
DRAWN		DESIGNED	CHECKED		
Y. AOYAGI		J. Noda	H. Okawa		
05.09.27		05.09.27	05.09.27		
CONTACT AREA : GOLD 0.1μm min.		LEAD AREA : TIN-PLATING 1μm min.			
		UNDER PLATING : NICKEL 1μm min.			
DRAWING NO.		PART NO.		RELEASED	
EDC3-071331-22		FX6A-80P-0.8SV2(92)		H. Okawa	
SCALE		CODE NO.		APPROVED	
2:1		CL576-0247-3-92		05.09.27	
UNITS		HIROSE ELECTRIC CO., LTD		REMARKS	
mm					

COUNT	DESCRIPTION OF REVISIONS	BY	CHKD	DATE	COUNT	DESCRIPTION OF REVISIONS	BY	CHKD	DATE
△					△				
△					△				
△					△				

STYLE AND DIMENSION OF REEL(FREE)



NOTE 1 THE DIMENSIONS IN PARENTHESES ARE FOR REFERENCE.  
2 1 REEL: 1000 CONNECTORS.



NO.	MATERIAL	FINISH, REMARKS	NO.	MATERIAL	FINISH, REMARKS
2	POLYESTER	COVER TAPE			
1	POLYSTYRENE	EMBOSSED CARRIER TAPE	3		(CONNECTOR)

CODE NO. (OLD)	CL	DRAWN	DESIGNED	CHECKED	APPROVED	RELEASED
		Y. AOYAGI '05.09.27	J. Noda '05.09.27	K. Ogawa '05.09.27	H. Okawa '05.09.27	

DRAWING NO.	PART NO.
EDC3-071326-22	FX6A-80P-0.8SV2(92)

SCALE	UNITS
2 : 1	mm

HIROSE	HIROSE ELECTRIC CO., LTD	CODE NO.
		CL576-0247-3-92